

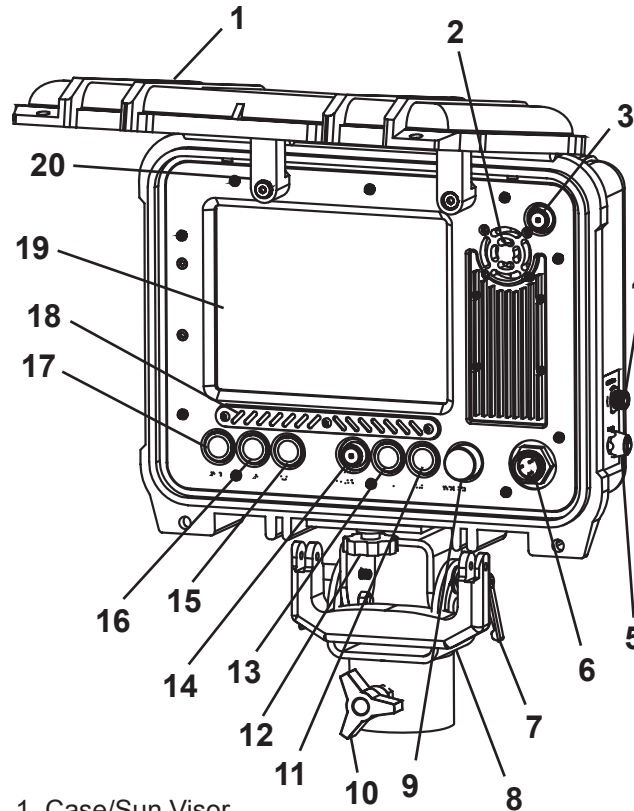


## Guidance System Gen 4 Monitor (A47100A) Quick Reference Guide



1

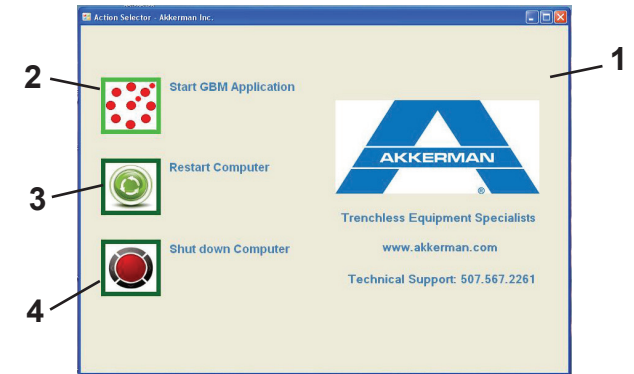
## TERMINOLOGY



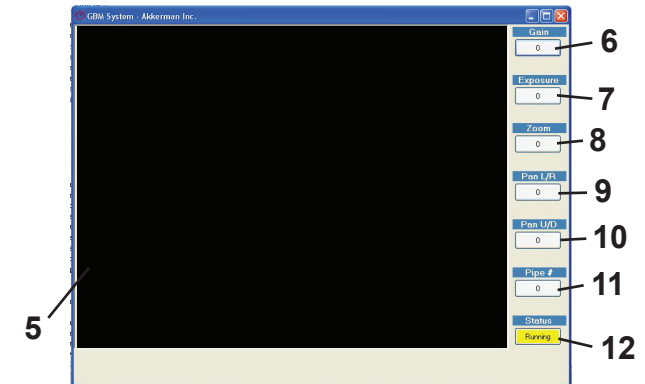
1. Case/Sun Visor
2. Cooling Fan
3. Power Button
4. LED/Focus Cable Connection
5. Camera Cable Connection
6. Power IN Cable Connection
7. Monitor Tilt Adjustment
8. Monitor Mount
9. LED Brightness Control
10. Monitor Mount Knob
11. Focus Out Button
12. Case Mount Knob
13. Focus In Button
14. Focus Speed
15. Down Control Button
16. Up Control Button
17. Select Item Control Button
18. Vent Cover/Filter
19. Monitor Display
20. Lid Support

2

## MONITOR WINDOWS



1. Action Selector Window
2. Start GBM Application Selector Button
3. Restart Computer Selector Button
4. Shut Down Computer Selector Button



5. GBM System Window
6. Gain Value Field - controls the camera sensitivity
7. Exposure Value Field - controls amount of light available to the camera
8. Zoom Value Field - controls the camera zoom lens in/out
9. Pan L/R (Left/Right) Value Field - moves image left/right
10. Pan U/D (Up/Down) Value Field - moves image up/down
11. Pipe# - manual pipe counter
12. Status - Running, Resume, Reset?, Quit?

3

## SET UP

1. Connect cable from camera to Camera connection on guidance system.
2. Connect LED cable from theodolite to LED/Focus connection on guidance system.
3. Connect power cable from pendant to Power In connection on front of guidance system.

## START UP

1. With the guidance system properly set up, start power pack. The computer will automatically start up on initial power connection. Thereafter, use the Power button to start the computer.

2. Allow for complete computer and camera boot-up. Allow approximately 30 - 60 seconds or after the hour glass flashes twice.

NOTE: If camera is being setup for the first time, the camera will go through a configuration process; Found New Hardware - Your new hardware is installed and ready to use.

3. Using Up or Down buttons, navigate to Start GBM Application button and press Select button.

NOTE: If Start GBM Application is selected BEFORE camera is completely booted up, a No Camera Present window will appear. If this should occur, be sure camera is connected and select Restart Computer and allow for complete computer and camera boot-up.

## COMPUTER CONTROL BUTTONS

LED Brightness - adjusts illumination of cross hairs on monitor display.

Focus IN - adjustment for close focusing.

Focus OUT - adjustment for distant focusing.

Focus Speed - two speed position switch:

IN - Fast    OUT - Slow

Up/Down - navigation controls

Select - enter (select) button

## STATUS FIELD DEFINITIONS

Quit? - exits GBM Application window.

Reset? - resets fields to factory settings; Gain 2.5, Exposure 20, Zoom 0, Pan L/R 0, Pan U/D 0, Pipe# is not changed; retains setting.

Resume - moves cursor to top Gain field position.

Running - operation mode for GBM application.

## PRIOR TO SHUT DOWN

BEFORE shutting down guidance system, be sure to record the Gain, Exposure, Zoom, Pan L/R, Pan U/D and Pipe # field numbers. After computer shut down and then restarted, the fields will return to the factory default settings, except the Pipe # field which will retain the entered setting (provided computer was shut down properly).

## SHUT DOWN

There are two methods to shut down the computer guidance system:

1. Press Power Button.
2. Or on the GBM System Application window, navigate to the Status field and use the Up or Down buttons until Quit? is visible and press Select Button. Then on the Action Selector window, navigate to the Shut Down Computer button and press Select Button.

## SUDDEN POWER LOSS

If a sudden or unexpected power loss occurs (or power pack is shutdown), once power is restored, the Gain field will reset to 2.5 (default), the Exposure field will reset to 20 (default), the Zoom, Pan L/R, Pan U/D fields will be reset to zero (default), and the Pipe # field may reset to zero.

## NEW CAMERA INSTALLATION

When installing a new camera, simply follow Set Up and Start Up procedure on this quick reference guide. Once the camera is configured on initial installation, it will not be required to be reconfigured due to driver installation during initial configuration process.

## DISCONNECTING CAMERA

Shut down the computer properly before disconnecting the camera. Disconnecting camera while power is still connected and computer not properly shut down will cause the screen to lockup or freeze. If this occurs, navigate to the Status field and select Quit? Then select Start GBM Application. It is not necessary to restart computer.

## USING 2-WAY RADIO

Do not use 2-way radios near the guidance system computer. Doing so may cause the screen to lock up or freeze due to RFI (radio frequency interference). If the screen locks up or freezes, move cursor to Status field and navigate to Reset? and press Select Button.

## USING CASE AS SUN VISOR

Open case and rotate both lid supports up. Lower case to supports for use as a sun visor. Be sure to rotate lid supports down before attempting to close case cover.

## MONITOR REMOVAL/REPLACE/TILT

To remove guidance system monitor case from monitor mount, loosen monitor mount knob until case can be removed from mount.

To replace monitor case to monitor mount, place monitor on mount and tighten with monitor mount knob.

To tilt monitor for improved viewing, loosen monitor tilt adjustment, tilt monitor to desired position, tighten tilt adjustment.

## CLEANING COMPUTER DISPLAY

The computer display can be scratched. Use a soft, lint-free cloth to clean dust, fingerprints and smudges. DO NOT use solvents. If cleaning is necessary on the guidance system, use a lightly dampened microfiber cloth or other soft lint-free cloth. DO NOT allow moisture to enter cooling fan opening.

## CHARGING BATTERY

There is no battery to charge for this guidance system.