



PARTS MANUAL

Tunnel Boring Machine

Wheel Machines

600 - 660 - 720 - 780

BH S/N: F19325F00 - F04410F00 - F20800F00 - F25000F

Publication No. 050020A

Rev No. 051220 R110829

Akkerman Inc. 58256 266th Street Brownsdale, MN 55918
Phone: 507-567-2261 Fax: 507-567-2605 email: akk@akkerman.com

SERVICE • RELIABILITY • INNOVATION

Introduction

This parts manual contains assembly illustrations of the Akkerman 600 - 660 - 720 - 780 Tunnel Boring Machines (TBM). The illustrations in this manual are intended to show typical construction of various parts. In some instances, the details of parts illustrated may not exactly represent their actual appearance, but will help to identify parts performing the same functions. Additional copies of this manual may be purchased from the Akkerman Product Aftermarket Support Department, or downloaded from the Akkerman web site at www.akkerman.com.

The TBM consists of the boring head, cutter head attachment (dirt head, sand head, quad carbide head, or closed face), conveyor, and target laser stand. Tunnel Boring Machines are articulated and can be steered hydraulically in any direction. The TBMs have powerful hydraulic motors which rotate an inner drum. The cutter head or closed face attachment is connected to the drum. As it turns, the teeth excavate the face and the spoils fall into the drum. Scoops in the drum elevate the spoils onto a conveyor that transfers it to the haul unit for removal. Manual or hydraulically operated torque wings prevent rolling of the machine. With the proper use of a laser, the strictest line and grade requirements can be maintained throughout the pipeline installation.

LOCATING PARTS

This parts manual is organized into 13 sections to help you locate parts information quickly. The first page of each section lists the assemblies within the section.

An Alphabetical Index, Section 12, is provided to help you find the page number of a specific assembly. If a part number is known, the Numerical Index, Section 13, can also be utilized to find the page number of an assembly.

USE GENUINE AKKERMAN PARTS

The use of parts other than genuine Akkerman parts could affect the efficient performance of the Tunnel Boring Machine. ALWAYS use genuine Akkerman parts.

PARTS ORDERING

To order fast, accurate, and reliable parts service, call (800) 533-0386, (507) 567-2261, or fax (507) 567-2605, and provide the following information.

1. Model Number
2. Serial Number
3. Part Number, Description, and Quantity
4. Shipping Preference

MEASUREMENTS

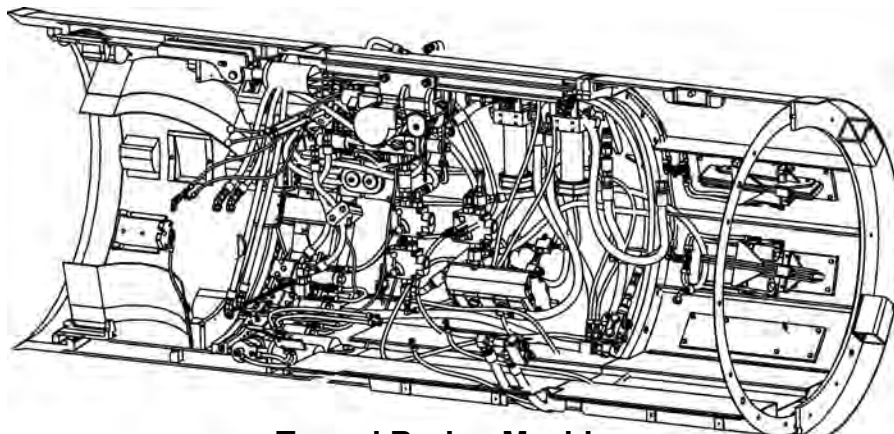
The unit of measure in this manual is in inches unless indicated otherwise.

HARDWARE SPECIFICATION

All Akkerman products are assembled with SAE Grade 8 bolts, nuts, and washers unless otherwise indicated. ALWAYS use matched fastener hardware when replacing or repairing the unit.

If you find any errors in this manual or have suggestions for improvement, please let us know. Email your comments via the Akkerman web site (Contact Us web page), or mail your suggestions to: Akkerman Inc., ATTN: Technical Publications, 58256 266th Street, Brownsdale, MN, 55918.

Akkerman Inc. reserves the right to improve its product without notice or obligation.



Tunnel Boring Machine

NOTES



Contents

General Information	1
Decals	2
Structurals	3
Operator Controls	4
Electrical	5
Hydraulics	6
Valves	7
Motors	8
Pumps	9
Cylinders	10
Miscellaneous / Conveyors	11
Alphabetical Index	12
Numerical Index	13

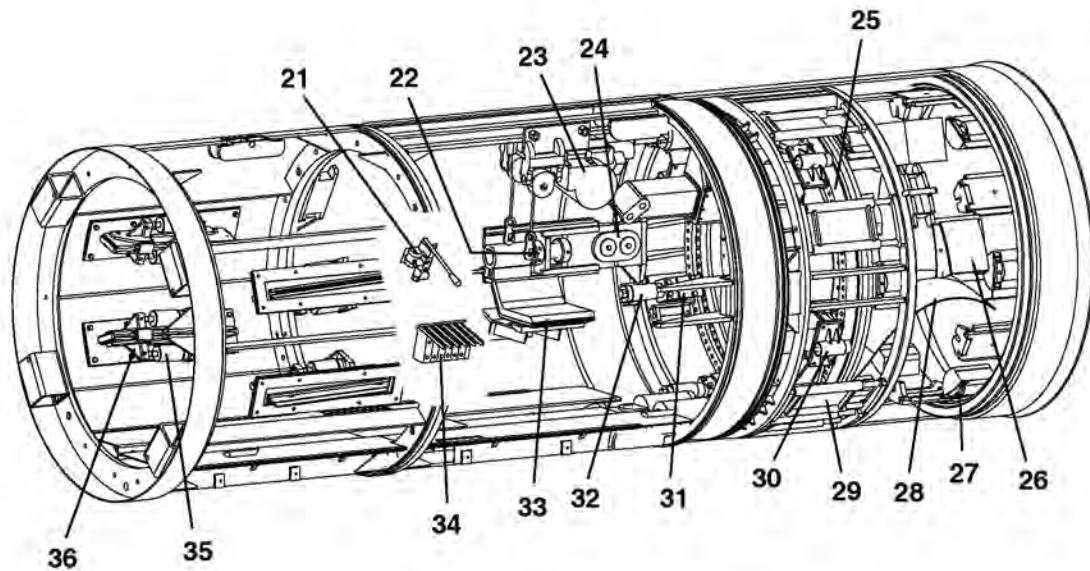
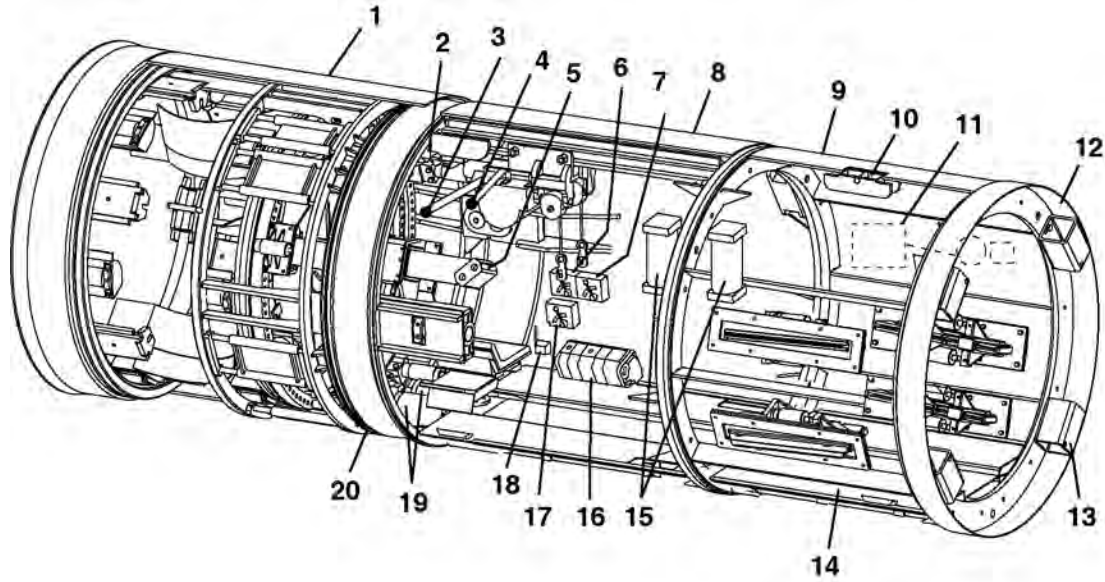
NOTES



General Information

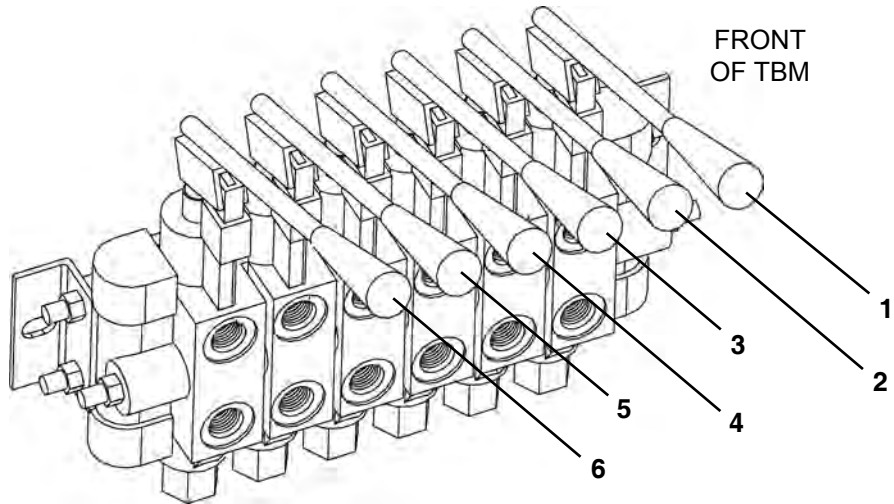
Terminology	2
Tunnel Boring Machine	2
TBM Control Valve	3
Cutter Head Attachments	
Dirt Head	4
Sand Head	4
Quad Carbide Head	4
Closed Face	4
Conveyor	
Belt	5
Screw	6
Laser Light Stand	7

TUNNEL BORING MACHINE



- | | | |
|--------------------------------|--|---------------------------|
| 1. Front Drum & Drive Assembly | 13. Push Block | 25. Gear Ring |
| 2. Steering Cylinders (Top) | 14. Floor Assembly | 26. Dirt Scoop |
| 3. Inner Drum Control | 15. Pressure Filters | 27. Drum Roller |
| 4. Conveyor Drive Control | 16. Flow Divider | 28. Dirt Paddle |
| 5. Drive Motor | 17. Selector Speed Control | 29. Advance Slide Bracket |
| 6. Inner Drum Speed Control | 18. Conveyor Safety Valve | 30. Idler Roller |
| 7. Conveyor Speed Control | 19. Steering Cylinders (Bottom) | 31. Advance Assembly |
| 8. Mid Drum Assembly | 20. Steering Joint | 32. Advance Cylinder |
| 9. Dirt Wing Drum Assembly | 21. Grade/Alignment Control | 33. Operator Seat |
| 10. Lift Pocket | 22. Steering Adjustment (Side to Side) | 34. TBM Control Valve |
| 11. Gas Detection System | 23. Conveyor Lift | 35. Dirt Wing Cylinder |
| 12. Bell End Ring | 24. Steering Link | 36. Dirt Wing Assembly |

TBM CONTROL VALVE

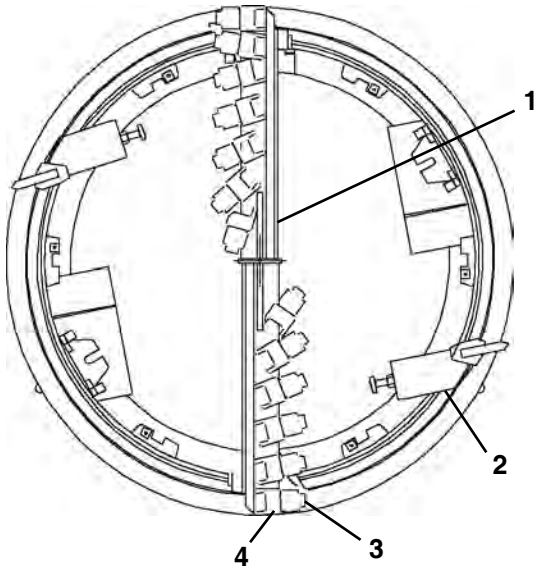


- 1. Inner Drum Advance
- 2. Conveyor Lift
- 3. Steering Cylinders

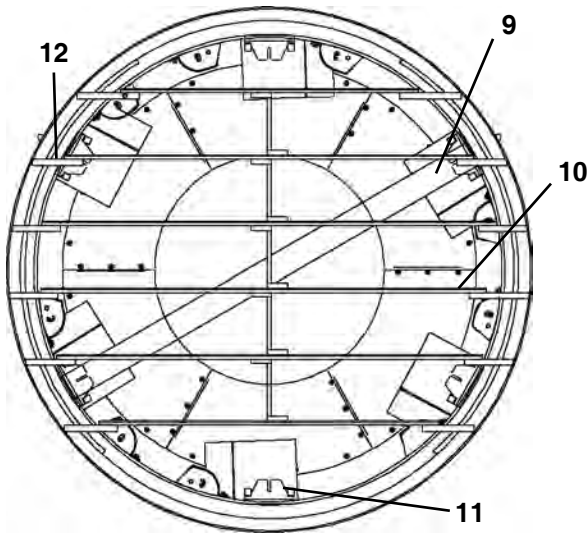
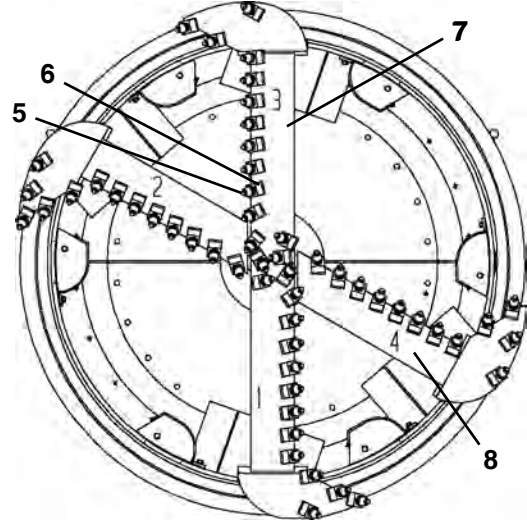
- 4. Auxiliary or Closed Face Attachment Doors
- 5. Dirt Wing Cylinders
- 6. Dirt Wing Cylinders

CUTTER HEAD ATTACHMENTS

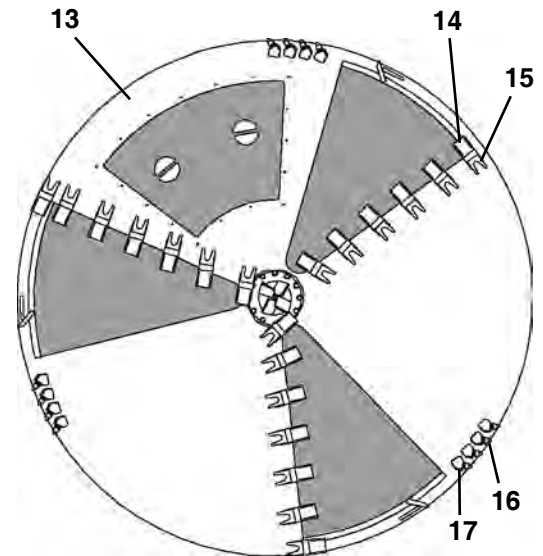
Dirt Head



Quad Carbide Bar Head



Sand Head



Closed Face

Dirt Cutter

- 1. Cutter Bar
- 2. Adjustable Cutter
- 3. Tooth Cutter
- 4. Tooth Pocket

Quad Carbide Bar Head

- 5. Carbide Tooth
- 6. Tooth Holder
- 7. Cutter Bar Weldment
- 8. Quad Bar Weldment

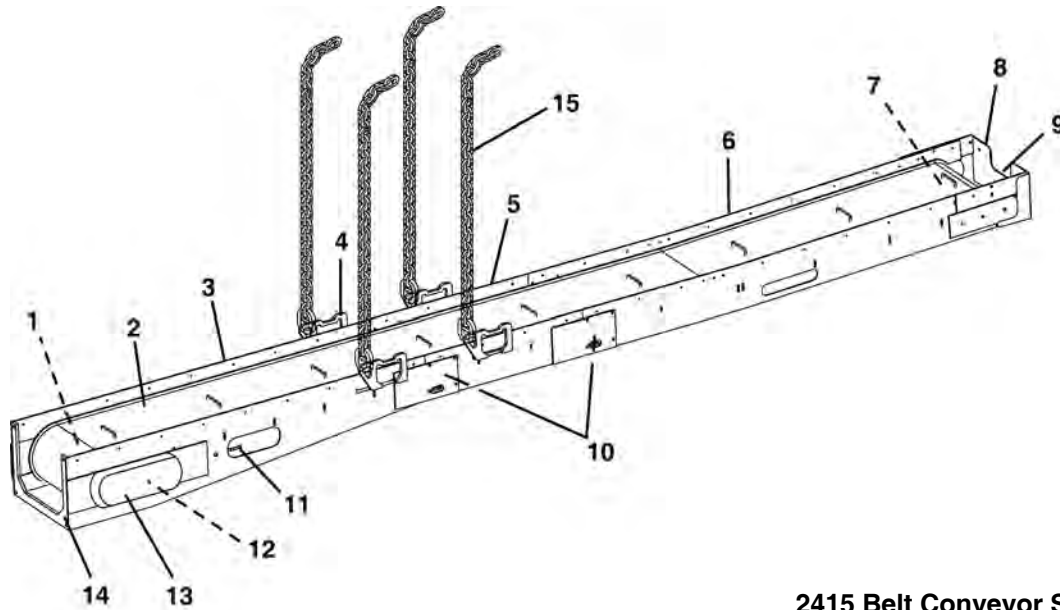
Sand Head

- 9. Cutter Bar
- 10. Sand Shelf
- 11. Cutter Bar Mount
- 12. Sand Shelf Bracket

Closed Face

- 13. Closed Face
- 14. Cutter Tooth
- 15. Tooth Pocket
- 16. Cutter Bit
- 17. Bit Holder

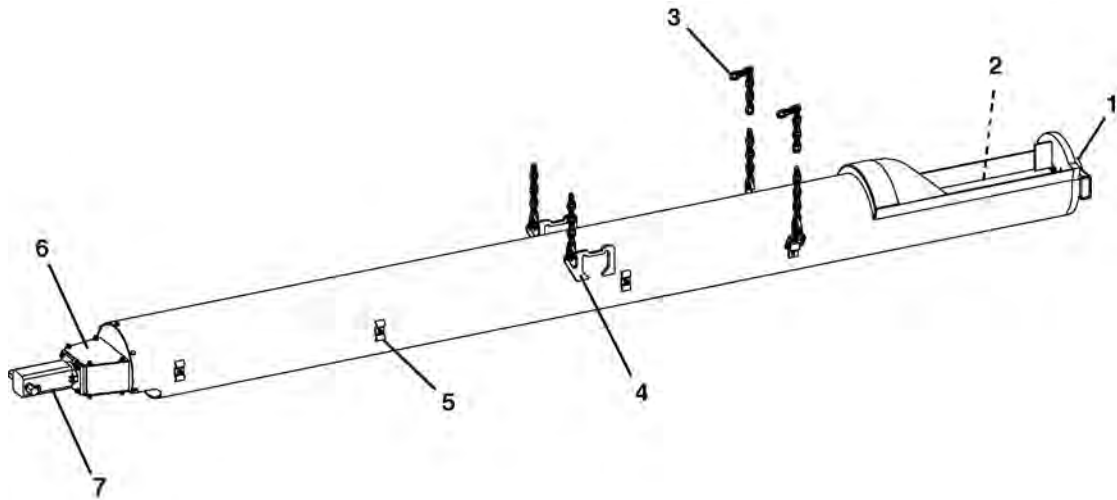
CONVEYOR - BELT



2415 Belt Conveyor Shown

- | | | |
|-------------------------------|--------------------------|-----------------------------------|
| 1. Drive Motor Frame Assembly | 6. Feed Frame Assembly | 11. Belt Tensioning Screw |
| 2. Belting | 7. Front Roller Assembly | 12. Drive Motor & Roller Assembly |
| 3. Drive Frame Assembly | 8. Dirt Guard | 13. Conveyor Chain Cover |
| 4. Lift Bracket | 9. Carrier Bearing | 14. Drive Frame Free End Support |
| 5. Extension Frame Assembly | 10. Idler Roller | 15. Safety Chain |

CONVEYOR - SCREW

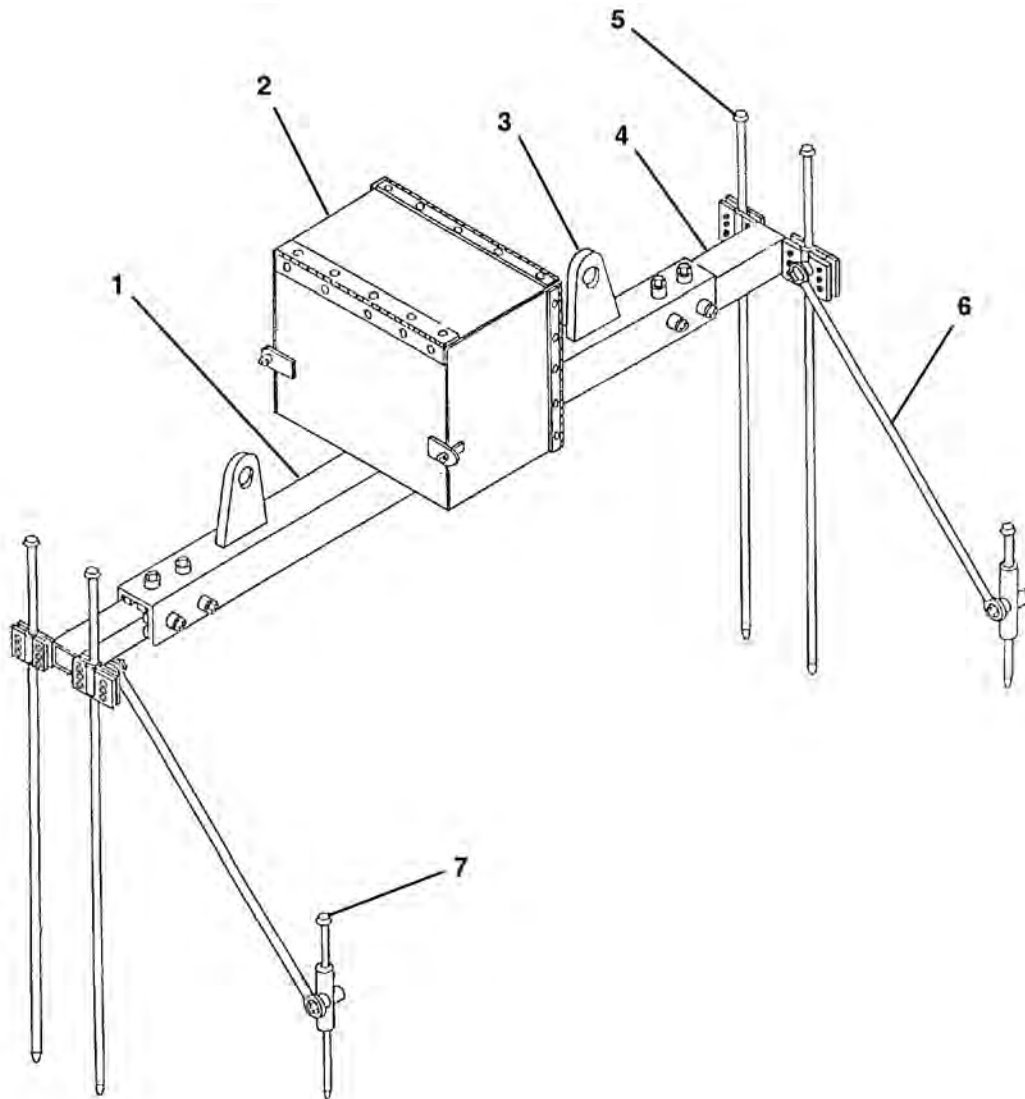


140 Screw Conveyor Shown

- 1. Carrier Bearing
- 2. Auger
- 3. Safety Chain
- 4. Lift Bracket

- 5. Hose Clamp
- 6. Motor Mount
- 7. Motor

LASER LIGHT STAND



- 1. Adjustable Frame
- 2. Laser Box Assembly
- 3. Lift Bracket
- 4. Sliding Tube

- 5. Long Stake
- 6. Support Tube
- 7. Short Stake

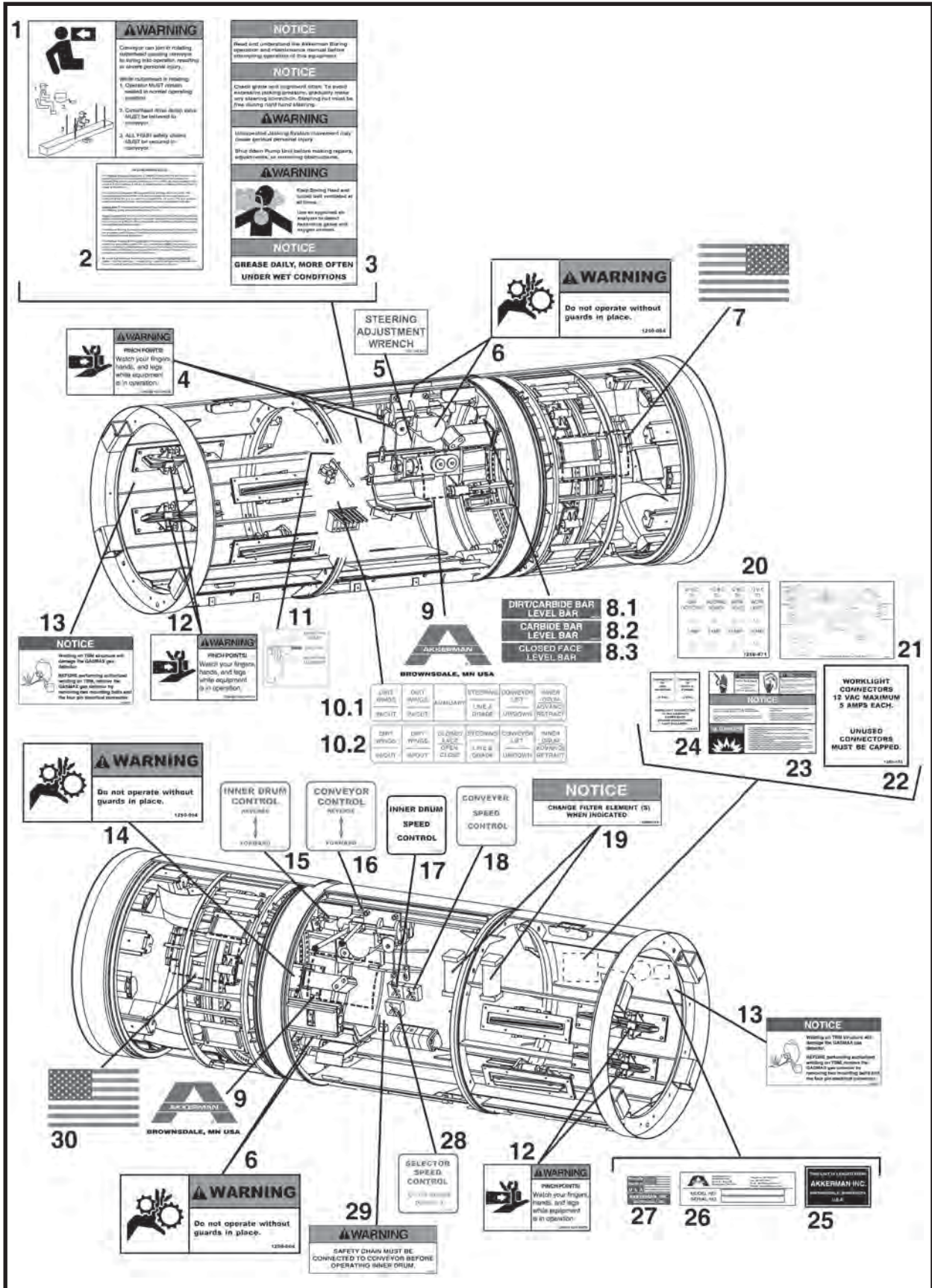
NOTES



Decals

Tunnel Boring Machine	2
Conveyors	
Belt	4
Screw	5
Laser Light Laser Stand	6
Head Box	7

TUNNEL BORING MACHINE DECALS



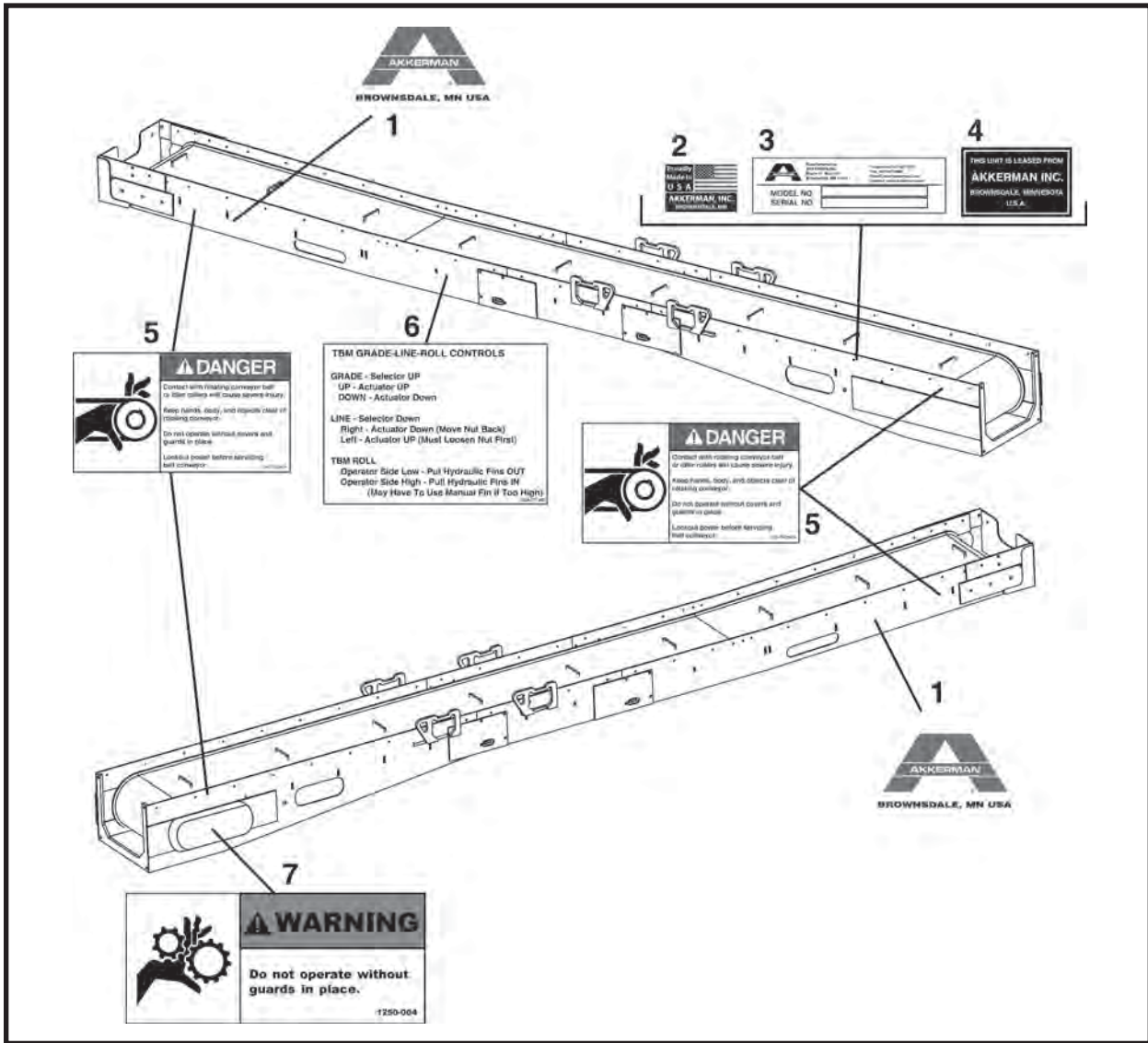
TUNNEL BORING MACHINE DECALS

ITEM	QTY	PART NO.	DESCRIPTION
1	1	1250-532a	DECAL, Warning, Conveyor Swing
2	1	1250-581	DECAL, Methane Warning SysITEM
3	1	1250-859	DECAL, TBM Warning Notice
4	2	1250-562	DECAL, Warning, Pinch Points
5	1	1251-295	DECAL, Steering Adjustment Wrench
6	4	1250-004	DECAL, Warning, Guards Must Be In Place
7	1	1251-326	DECAL, USA Flag, Large - Right
8.1	1	1251-312	DECAL, Dirt/Carbide Level Bar
8.2	1	1251-313	DECAL, Carbide Level Bar
8.3	1	1251-200	DECAL, Closed Face Bar
9	2	1251-272	DECAL, Akkerman, Jumbo
10.1	1	1250-650	DECAL, Control Valve (without Closed Face)
10.2	1	1250-579	DECAL, Control Valve (with Closed Face)
11	1	1250-007	DECAL, Grade/Alignment Control
12	1 per Dirt Wing	1250-562	DECAL, Warning, Pinch Points
13	2	1251-320	DECAL, Notice, Welding Gas Detector Damage
14	1 per Motor	1250-004	DECAL, Warning, Guards Must Be In Place
15	1	1250-572	DECAL, Inner Drum Control
16	1	1250-573	DECAL, Conveyor Control
17	1	1250-030	DECAL, Inner Drum Speed Control
18	1	1250-031	DECAL, Conveyor Speed Control
19	2	40000-16	DECAL, Notice, Change Filter
20	1	1250-471	DECAL, Fuse Locator
21	1	1250-470	DECAL, Schematic
22	1	1250-474	DECAL, Work Light Max. Amp.
23	1	1250-478	DECAL, Danger, Warning, Notice, Gas Detector
24	1	1250-475	DECAL, Connector Designator
25*	1	1250-098	DECAL, Lease
26	1	REF	PLATE, Serial Number
27	1	1250-544	DECAL, Made in USA
28	1	1250-837	DECAL, Selector Speed Control
29	1	1250-006	DECAL, Warning, Safety Chain Connected To Conveyor
30	1	1250-560	DECAL, USA Flag, Large - Left

* Note: Decal used only on leased equipment.

BELT CONVEYOR DECALS

2415

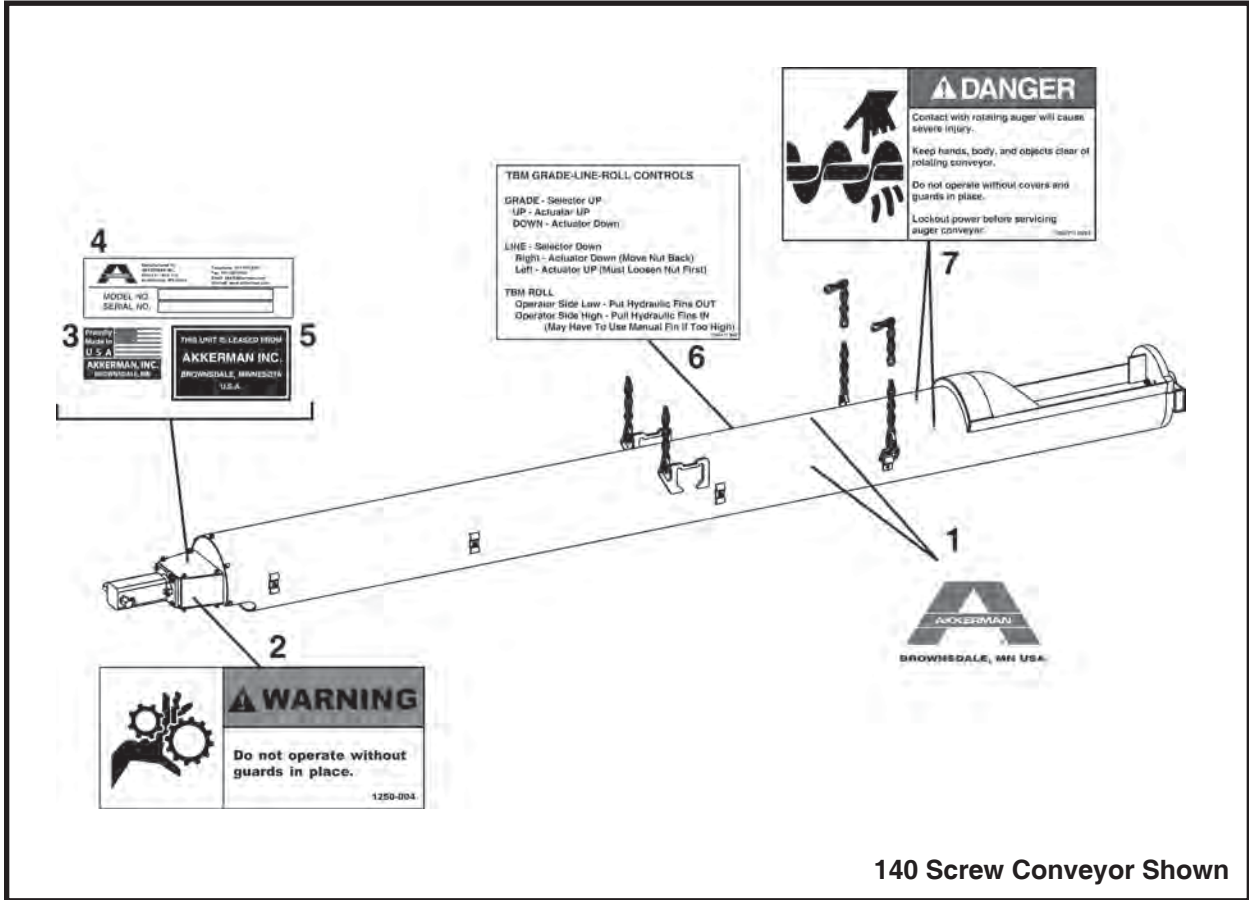


ITEM	QTY	PART NO.	DESCRIPTION
1	2	1251-246	DECAL, Akkerman, Large
2	1	1250-544	DECAL, Made In USA
3	1	REF	PLATE, Serial Number
4*	1	1250-098	DECAL, Lease
5	4	1250-750	DECAL, Danger Rotating Belt Conveyor
6	1	1250-577	DECAL, TBM Steering Controls
7	1	1250-004	DECAL, Warning, Guards Must Be In Place

* Note: Decal used only on leased equipment.

SCREW CONVEYOR DECALS

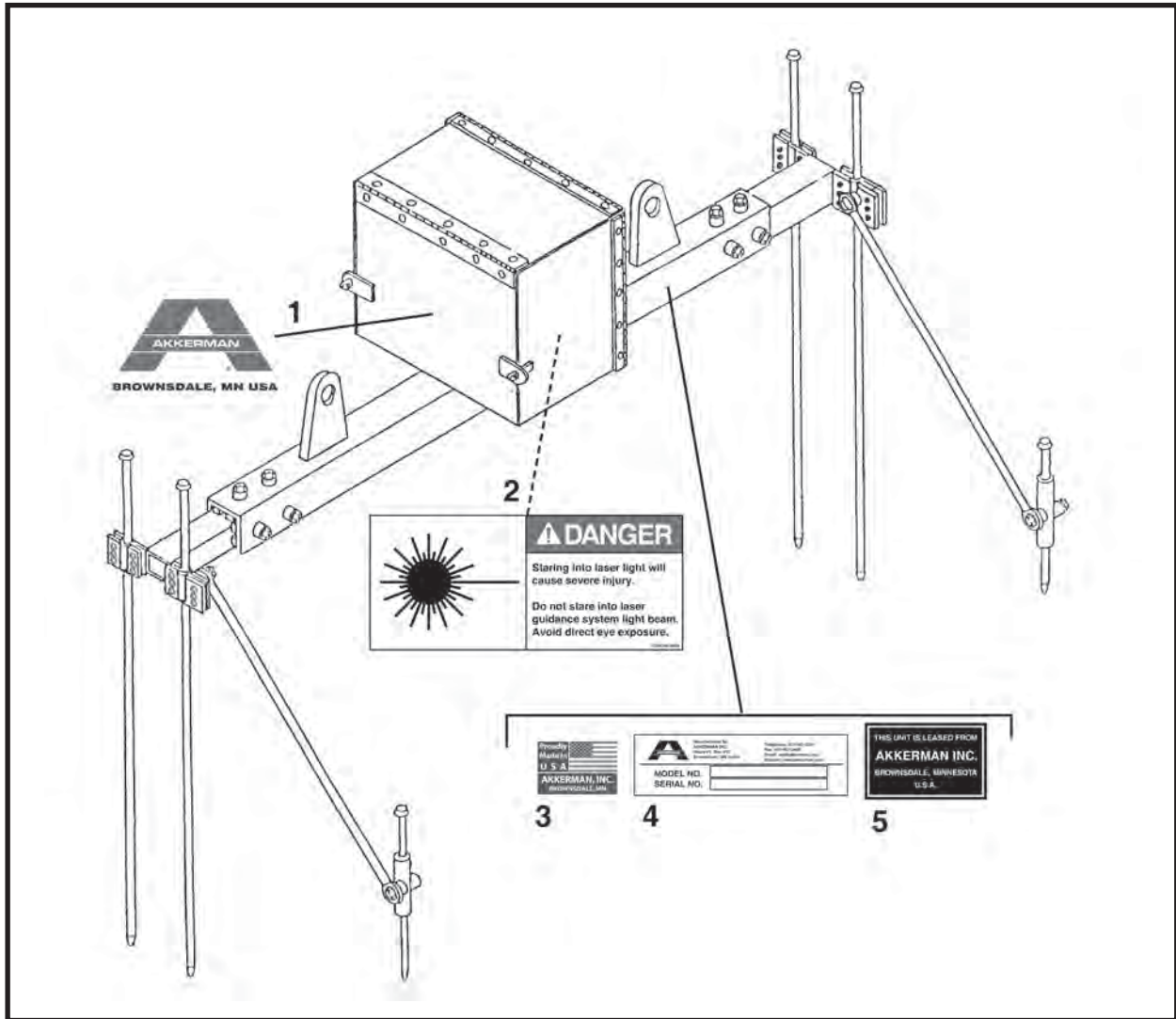
140 - 160



ITEM	QTY	PART NO.	DESCRIPTION
1	2	1251-246	DECAL, Akkerman, Large
2	1	1250-004	DECAL, Warning, Guards Must Be In Place
3	1	1250-544	DECAL, Made In USA
4	1	REF	PLATE, Serial Number
5*	1	1250-098	DECAL, Lease
6	1	1250-577	DECAL, TBM Steering Controls
7	2	1250-751	DECAL, Danger Rotating Auger Conveyor

* Note: Decal used only on leased equipment.

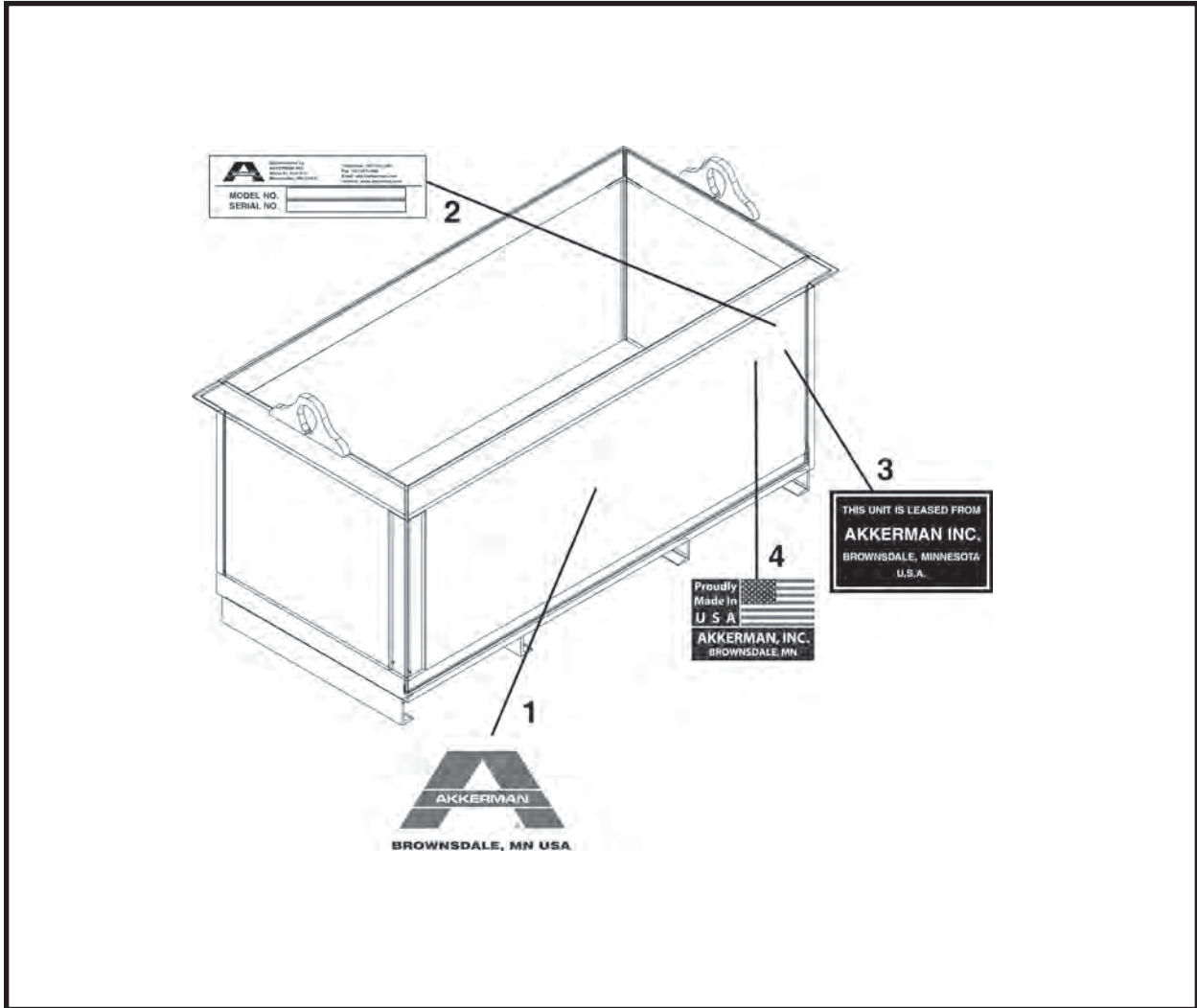
LASER LIGHT STAND DECALS



ITEM	QTY	PART NO.	DESCRIPTION
1	2	1251-245	DECAL, Akkerman, X Large
2	2	1250-749	DECAL, Danger, Laser Light
3	1	1250-544	DECAL, Made In USA
4	1	REF	PLATE, Serial Number
5*	1	1250-098	DECAL, Lease

* Note: Decal used only on leased equipment.

HEAD BOX DECALS



ITEM	QTY	PART NO.	DESCRIPTION
1	2	1251-245	DECAL, Akkerman, X Large
2	1	REF	PLATE, Serial Number
3	1	1250-544	DECAL, Made In USA
4*	1	1250-098	DECAL, Lease

* Note: Decal used only on leased equipment.

NOTES



Structurals

TBM Frame

Final Assembly	3
Front Drum & Drive Assembly	4
Inner Drum Assembly	5
Inner Drum Weldment	6
Bulkhead Seal & Door Assembly	
600	8
660 - 720 - 780	9
Gear Ring Assembly	10
Drum Roller Assembly, 026435A	
600: SN F19325F-17 & Before; 660: SN F04410F-8 & Before;	
720: SN F20800F-20 & Before; 780: SN F25000F-4 & Before ...	12
Drum Roller Assembly, 022132A	
600: SN F19325F-18 & After; 660: SN F04410F-9 & After;	
720: SN F20800F-21 & After; 780: SN F25000F-5 & After	13
Drum Roller Assembly, 011845A00	14
Dirt Scoop Assembly	15
Dirt Paddle Assembly	16
Drum Advance Assembly	
Standard Duty Applications, 026140A	18
Thrust Roller Assembly, 001296A02	19
Motor Assembly, 013814A00	20
Idler Roller Assembly, 001231A01	21
Inner Drum Motor Assembly Option	
TBM 720, 029994A	22
TBM 780, 029987A	23
Drum Advance For Motor Assembly	
Standard Duty Applications, 026145A	24
Thrust Roller Assembly, 001296A02	25
Mid Drum Assembly	26
Seat Assembly, 009992A01	27
Conveyor Lift Assembly (600 - 660 - 720 - 780), 012609A01	28
Cable Assembly	30
Conveyor Lift Assembly (Select 600 TBMs), 025315A00	31

Dirt Wing Drum Assembly, TBM Attachments, Laser Light Stand, and Conveyors continued on next page.

Structurals (continued)

TBM Final Frame Assembly (continued)

Dirt Wing Drum Assembly	32
Hydraulic Dirt Wing (CW) Assembly, 014600A00.....	33
Hydraulic Dirt Wing (CCW) Assembly, 014617A00	34
Steering Cylinder & Link Assembly	
Steering Cylinder & Link Assembly (600 - 660 - 720)	36
Steering Cylinder & Link Assembly (780)	38
Floor Assembly	40
Bell End Ring Assembly	41

TBM Attachments

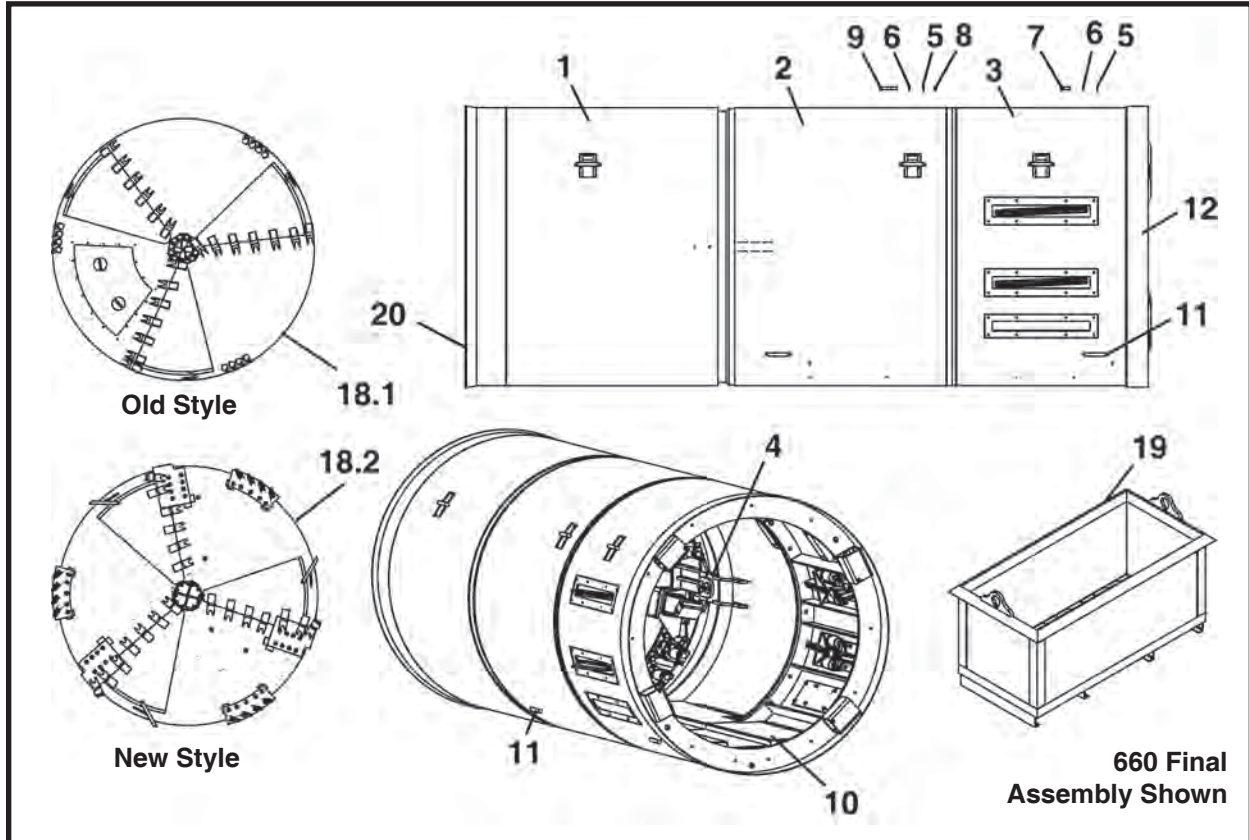
Dirt Head Assembly	42
Sand Head Assembly	43
Sand Shelf Assembly	
Sand Shelf Assembly (600 - 660)	44
Sand Shelf Assembly (720 - 780)	45
Quad Bar Assembly	46
Closed Face Assembly	
Old Style (600 - 660 - 720)	
Closed Face Assembly	47
Closed Face Mounting & Weldment Assembly	48
Closed Face Weldment Assembly	50
Front Face Assembly	51
Rotary Hub Assembly, 018700A00	52
Old Style (780)	
780 Closed Face Assembly, 026690A00	54
Front Face Weldment Assembly, 026695A	56
Obstruction Door Pilot Hardware Kit, 026144A	57
Rotary Hub Assembly, 018700A00	58
New Style (600 - 660 - 720 - 780)	
Closed Face Assembly	60
Front Face Assembly	62
Rotary Hub Assembly, 027562A	63
Rubber Paddle Assembly, 016735A	64

Laser Light Stand, F05866F00	65
---	----

Conveyors See Section 11 Miscellaneous/Conveyors/IJS

Intermediate Jacking Stations See Section 11 Miscellaneous/Conveyors/IJS

FINAL ASSEMBLY

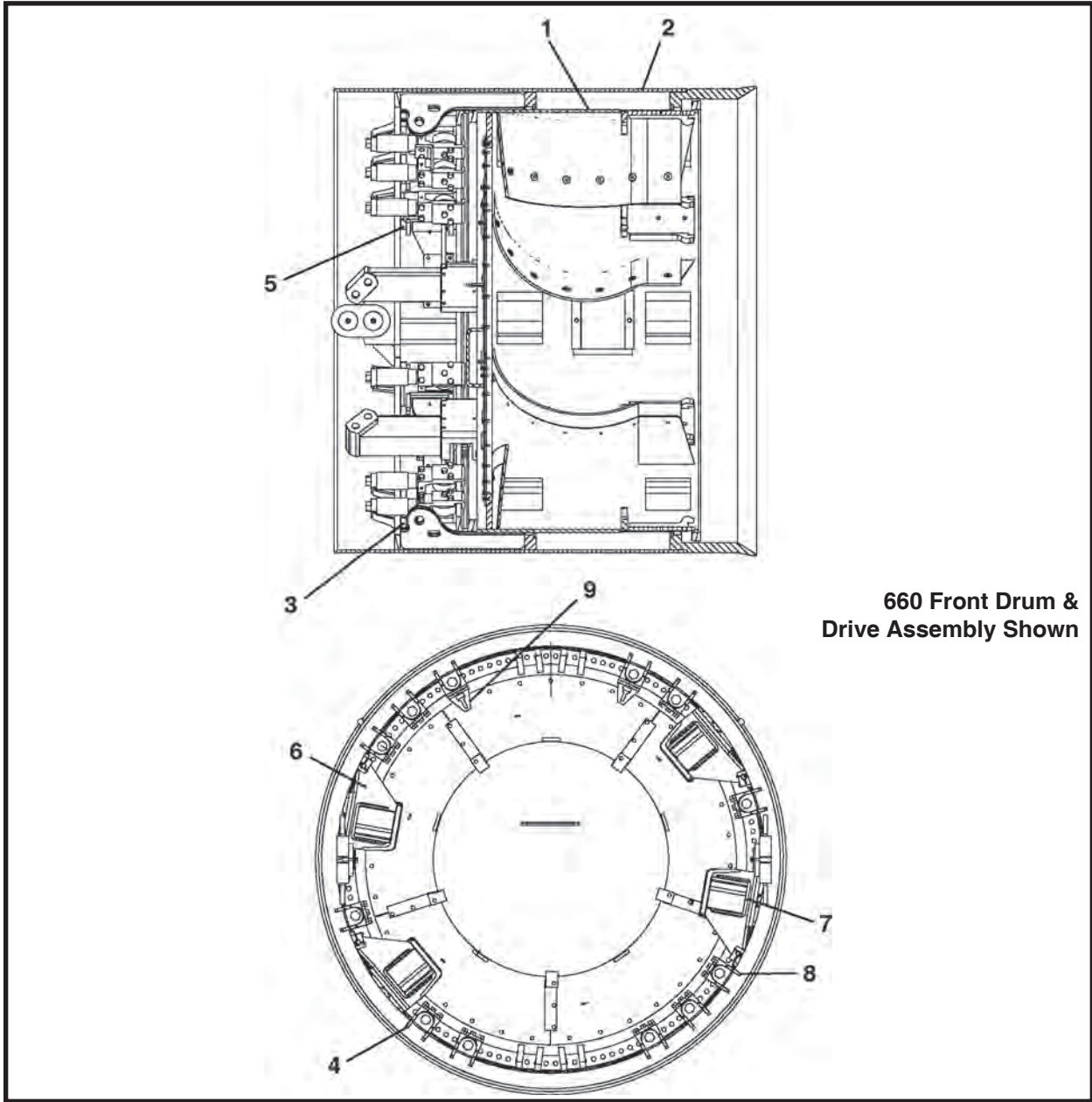


ITEM	QTY	600 PART NO.	660 PART NO.	720 PART NO.	780 PART NO.	DESCRIPTION
0	1	F19325F00	F04410F00	F20800F00	F25000F	FINAL ASSEMBLY
1	1	019326A00	027010A	020802A00	025020A	ASSEMBLY, Front Drum & Dr.
2	1	019334A01	004446A01	020805A01	025065A	ASSEMBLY, Mid Drum
3	1	019323A01	027030A	020808A00	025027A	ASSEMBLY, Dirt Wing Drum
4	1	019318A01	006304A00	020812A01	025036A	ASSEMBLY, Steering Cyl. & Lk.
5	26	P0040-012	P0040-012	P0040-012	P0040-012	WASHER, Flat 3/4
6	26	P0045-012	P0045-012	P0045-012	P0045-012	WASHER, Lock 3/4
7	13	P0001-12-009	P0001-12-009	P0001-12-009	P0001-12-009	BOLT, 3/4 UNC x 2.25
8	13	P0003-12-000	P0003-12-000	P0003-12-000	P0003-12-000	NUT, 3/4
9	13	P0001-12-018	P0001-12-018	P0001-12-018	P0001-12-018	BOLT, 3/4 UNC x 4.5
10	1	019372A00	027015A	026426A	025199A	ASSEMBLY, Floor
11	4	002279P01	002279P01	002279P01	002279P01	GUIDE, Skid
12	1	019386A00	027031A	020814A00	025021A	ASSEMBLY, Bell End Ring
13*	1	016400A	016400A	016400A	016400A	ASSEMBLY, Electrical System
14.1*	1	010199A01	010199A01	010199A01	010199A01	ASSEMBLY, Hydraulic System NPT
14.2*	1	029952A	029953A	029954A	029955A	ASSEMBLY, Hydraulic System ORB
15*	1	030304A	030321A	030324A	030327A	ASSEMBLY, Dirt Head
16*	1	004838A00	004892A00	007082A00	009350A00	ASSEMBLY, Sand Head
17*	1	026115A	026940A	026930A	025075A	ASSEMBLY, Quad Carbide Hd.
18.1**	0	019300A01	018650A00	020915A00	026690A00	ASSEMBLY, Closed Face (Old)
18.2	0	F27550F	F25675F	F20975F	F26890F	ASSEMBLY, Closed Face (New)
19	1	F10360F00	F10360F00	F10360F00	F10360F00	BOX, Head
20	40/40/48/48	P0033-10-024	P0033-10-024	P0033-10-024	P033-10-024	SCREW, SH Set 5/8 UNC x 1.5

* Not Shown

** Not Available

FRONT DRUM & DRIVE ASSEMBLY



**660 Front Drum &
Drive Assembly Shown**

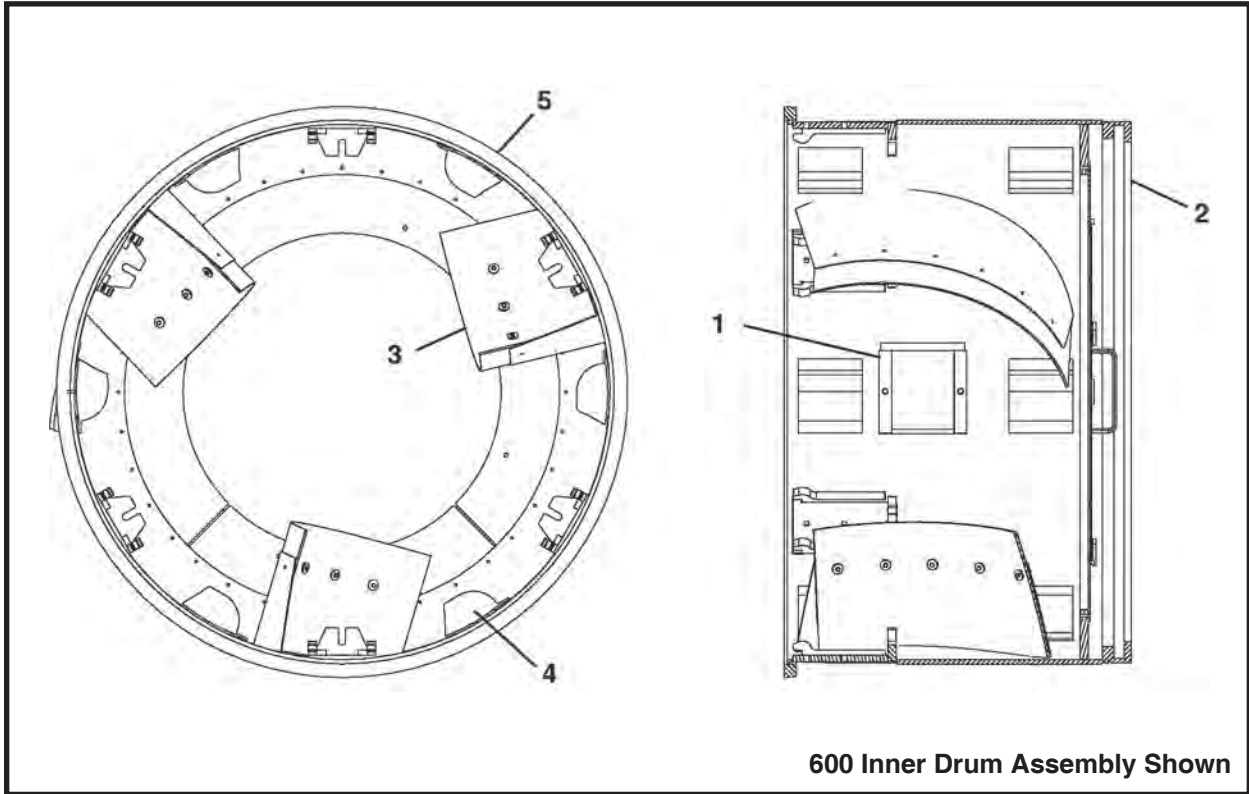
ITEM	QTY	600 PART NO.	660 PART NO.	720 PART NO.	780 PART NO.	DESCRIPTION
0	1	019326A00	027010A	020802A00	025020A	FRONT DRUM & DRIVE ASSY.
1	1	019328A00	027026A	020804A00	025035A	ASSEMBLY, Inner Drum
2	1	019322A00	004450A01	020803A00	025025A	ASSEMBLY, Front Drum
3	14/16/14/10	013787P	027018P	013790P	025222P	MOUNT, Drum Advance
4**	7/8/7/5	026140A	026140A	026140A	026140A	ASSEMBLY, Drum Advance
5	8/8/10/12	013788P	027019P	013791P	025223P	MOUNT, Drum Advance With Motor
6	4/4/4/4	009695A00	009695A00	009588A00	009588A00	BRACKET, Motor (Incl. item 6a)
6a	1 per	P0063-001	P0063-001	P0063-001	P0063-001	FITTING, Grease 1/4
7*	4/4/4/4	013814A00	013814A00	013814A00	013814A00	ASSEMBLY, Motor
7a	0/0/1/1	-	-	029994A	029987A	MOTOR OPTION
8***	4/4/5/6	026145A	026145A	026145A	026145A	DRUM ADVANCE, for Motor Assy.
9	2	002225P	002225P	002225P	002225P	BRACKET, Convyr. Safety Retain.

* Optional motors are available for the 720 and 780 TBMs. Refer to item 7a.

** An optional heavy thrust duty drum advance assembly, 013700A00 is available. Refer to this section.

*** An optional heavy thrust duty drum advance for motor assembly, 013713A00 is available. Refer to this section.

INNER DRUM ASSEMBLY



ITEM	QTY	600 PART NO.	660 PART NO.	720 PART NO.	780 PART NO.	DESCRIPTION
0	1	019328A00	027026A	020804A00	025035A	ASSEMBLY, Inner Drum
1	1	002289A00	003255A00	006510A00	006510A00	ASSEMBLY, Dirt Scoop
2	1	009691A01	009841A00	009662A00	025040A	ASSEMBLY, Gear Ring
3	3/6/6/6	020841A	020844A	020844A	020847A	ASSEMBLY, Dirt Paddle
4.1	12/12/18/18	026435A	026435A	026435A	026435A	ASSEMBLY, Drum Roller
4.2	12/12/18/18	022132A	022132A	022132A	022132A	ASSEMBLY, Drum Roller
5	1	003729A02	004451A01	007056A02	025045A	WELDMENT, Inner Drum

NOTE:

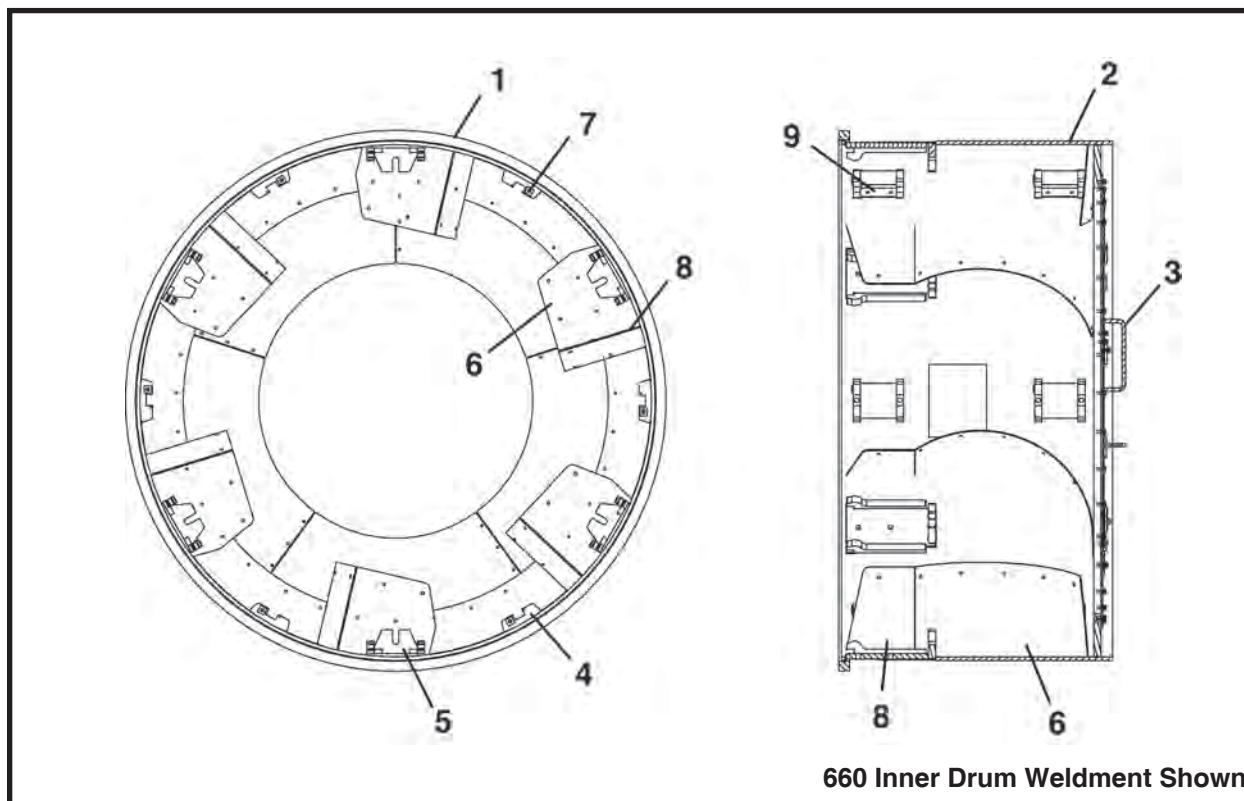
4.1: Part number 026435A, Drum Roller Assembly is used on the following TBMs:

600: SN F19325F-17 & Before; 660: SN F04410F-8 & Before; 720: SN F20800F-20 & Before;
780: SN F25000F-4 & Before

4.2: Part number 022132A, Drum Roller Assembly is used on the following TBMs:

600: SN F19325F-18 & After; 660: SN F04410F-9 & After; 720: SN F20800F-21 & After;
780: SN F25000F-5 & After

INNER DRUM WELDMENT



ITEM	QTY	600 PART NO.	660 PART NO.	720 PART NO.	780 PART NO.	DESCRIPTION
0	1	003729A02	004451A01	007056A02	025045A	WELDMENT, Inner Drum
1	1	003748P01	004417P01	007054P02	025005P	RING, Inner Drum
2.1	1	003752P03	004420P01	007042P02	025029P	SKIN, Inner Drum
2.2	1	022133P	022134P	022135P	022136P	SKIN, Inner Drum
3	1	006720A	027017A	020880A	025050A	ASSEMBLY, Bulkhead Door
4.1	24/24/36/36	011807P00	011807P00	011807P00	011807P00	MOUNT, Drum Rollers
4.2	24/24/36/36	022186P	022186P	022186P	022186P	MOUNT, Drum Rollers
5.1	6	004666A00	004666A00	004666A00	004666A00	WELDMENT, Cutter Mount
5.2	6	022190A	022190A	022190A	022190A	WELDMENT, Cutter Mount
6	3/6/6/6	025231P	025239P	025239P	025241P	PLATE, Dirt Paddle
7	12/12/18/18	003924P00	003924P00	003924P00	003924P00	SPACER MOUNT, Drum Roller
8	0/6/6/6	-	025238P	025238P	025238P	PLATE, Dirt Paddle, Flat
9.1	0	-	-	-	-	COVER, Mounting
9.2	12/12/18/18	022185P	022185P	022185P	022185P	COVER, Mounting

NOTE:

IITEMs 2.1, 4.1, 5.1 and 9.1 apply to the following TBMs:

600: SN F19325F-17 & Before; 660: SN F04410F-8 & Before; 720: SN F20800F-20 & Before;
780: SN F25000F-4 & Before

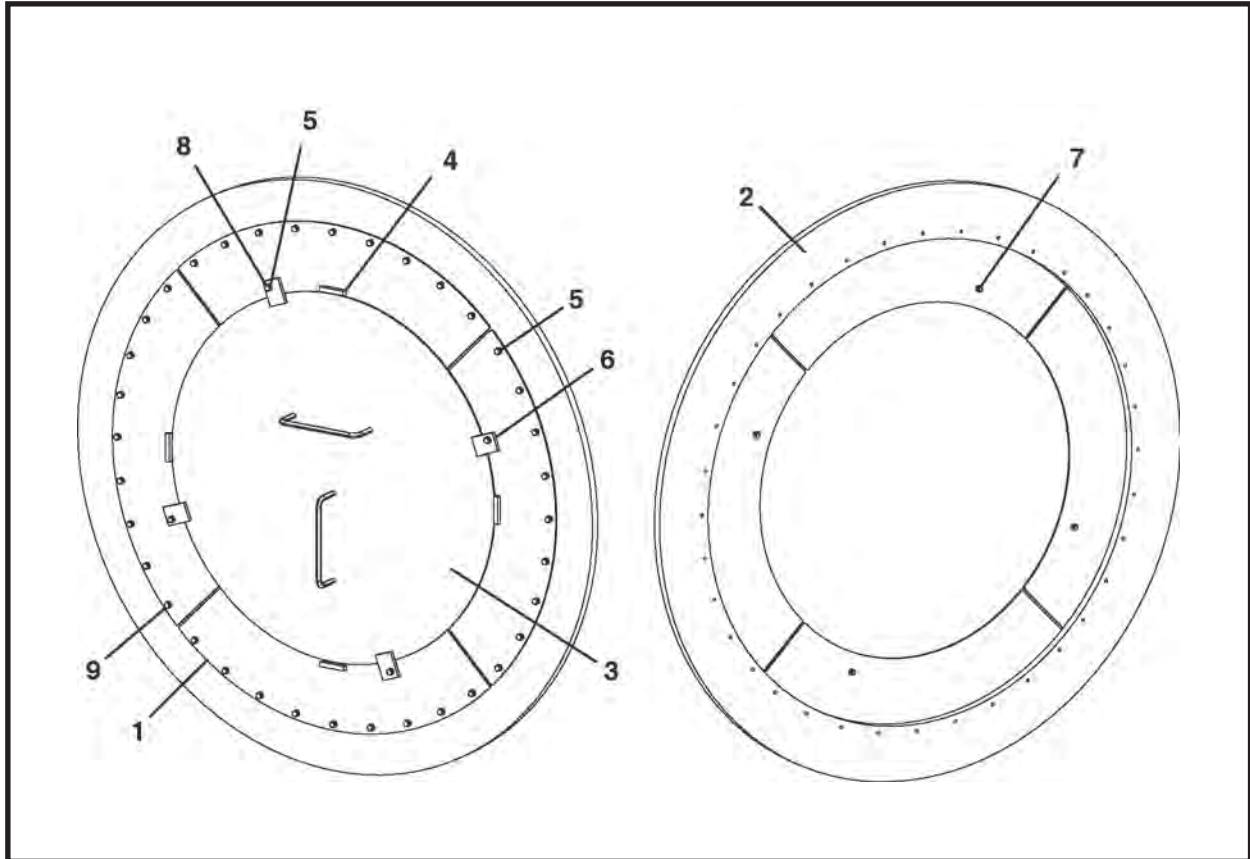
IITEMs 2.2, 4.2, 5.2 and 9.2 apply to the following TBMs:

600: SN F19325F-18 & After; 660: SN F04410F-9 & After; 720: SN F20800F-21 & After;
780: SN F25000F-5 & After

NOTES

BULKHEAD SEAL & DOOR ASSEMBLY, 006720A

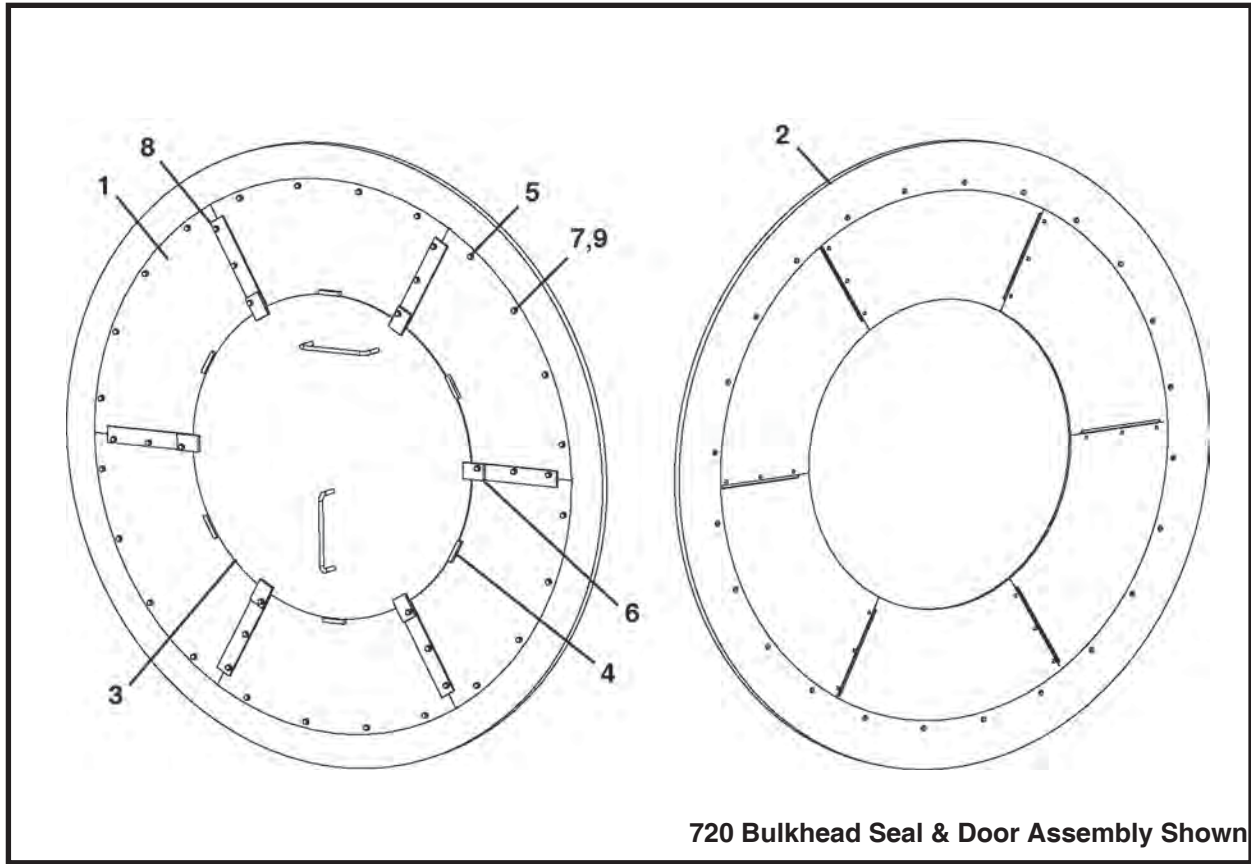
600



ITEM	QTY	PART NO.	DESCRIPTION
0	1	006720A	ASSEMBLY, Bulkhead Seal Door
1	4	014426P00	RING, Base
2	1	006728P00	RING, Rear, Inner Drum
3	1	009981A00	WELDMENT, Center Enclosure
4	4	009987P00	BAR, Centering
5	40	P0045-006	WASHER, Lock 3/8
6	4	009986P00	BLOCK, Clamp
7	8	P0003-06-000	NUT, 3/8
8	4	P0001-06-006	BOLT, 3/8 UNC x 1.5
9	36	P0001-06-004	BOLT, 3/8 UNC x 1

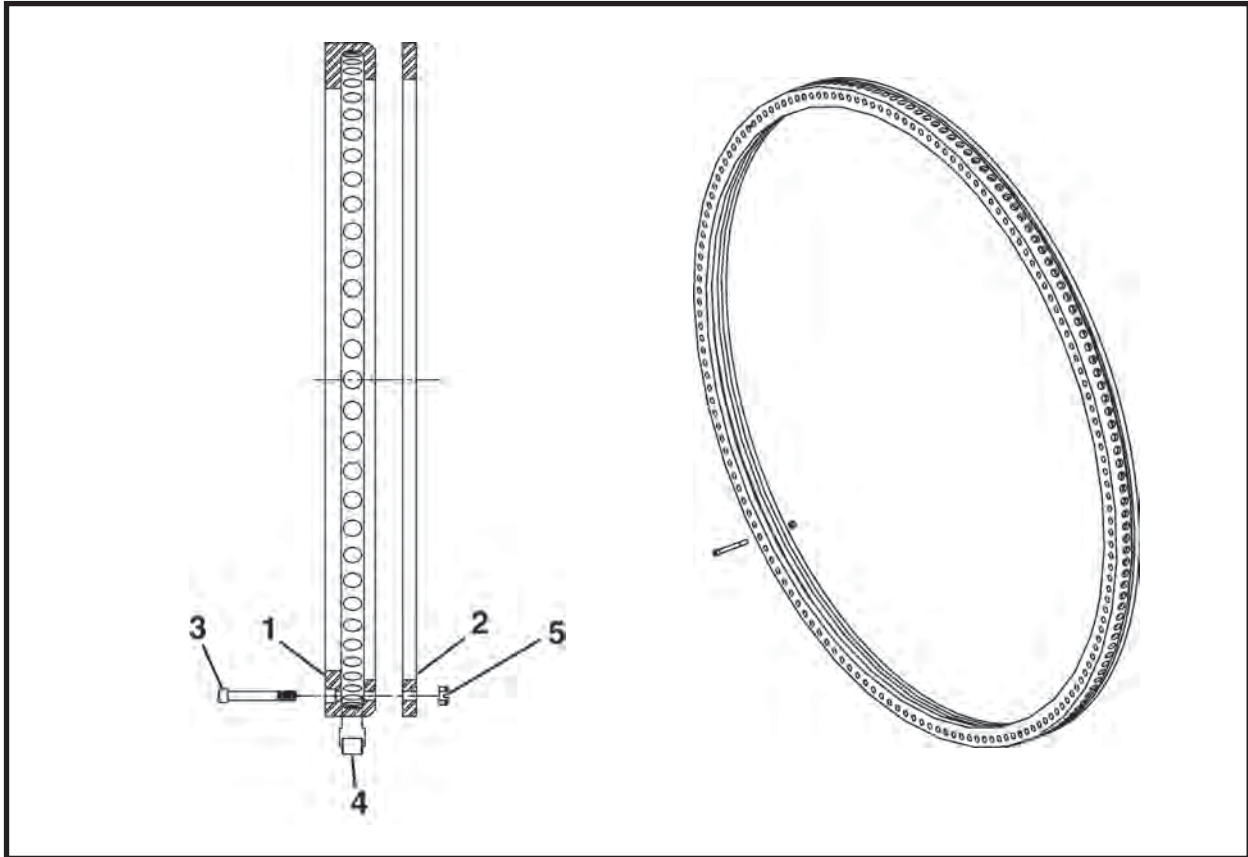
BULKHEAD SEAL & DOOR ASSEMBLY

660 - 720 - 780



ITEM	QTY	660 PART NO.	720 PART NO.	780 PART NO.	DESCRIPTION
0	1	027017A	020880A	025050A	ASSEMBLY, Bulkhead Seal Door
1	5/6/6	009984P00	010776P01	025042P	RING, Base
2	1	006726P00	007053P01	025041P	RING, Rear, Inner Drum
3	1	009981A00	009981A00	009981A00	WELDMENT, Center Enclosure
4	5/6/3	009987P00	009987P00	009987P00	BAR, Centering
5	50/42/42	P0045-006	P0045-006	P0045-006	WASHER, Lock 3/8
6	5/6/3	009986P00	010716P00	009986P00	BLOCK, Clamp
7	50/0/42	P0001-06-004	-	P0001-06-004	BOLT, 3/8-16 x 1
8	5/6/6	009985P00	010778P01	025173P	BAR, Mounting
9	42	-	P0001-06-005	-	BOLT, 3/8-16 x 1-1/4

GEAR RING ASSEMBLY



ITEM	QTY	600 PART NO.	660 PART NO.	720 PART NO.	780 PART NO.	DESCRIPTION
0	1	009691A01	009841A00	009662A00	025040A	ASSEMBLY, Gear Ring
1	1	009692P00	009842P00	009663P00	009346P00	RING, Gear
2	1	009693P02	009843P01	009664P02	009363P01	RING, Mounting
3	*	009183P01	009183P01	009183P01	009183P01	BOLT, Gear Ring
4	*	001151P00	001151P00	001151P00	001151P00	SPOOL, Gear Ring
5	*	P0013-08-000	P0013-08-000	P0013-08-000	P0013-08-000	NUT, Lock 1/2

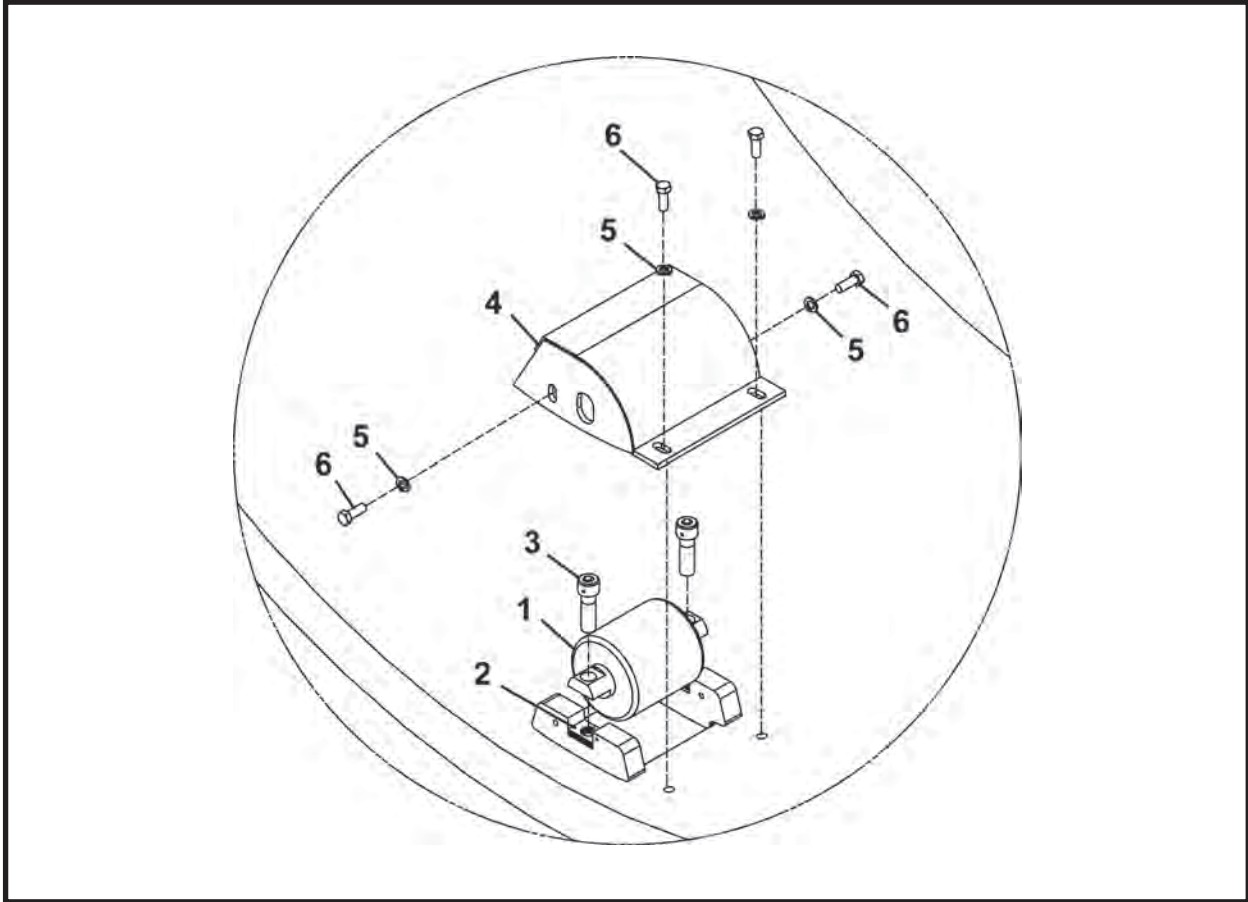
*NOTE: Quantities for items 3 through 5 are as follows:

	600	660	720	780
3	121	134	145	160
4	121	134	145	160
5	121	134	145	160

NOTE: Tighten mounting bolts to 120 -130 in/lb torque.

NOTES

DRUM ROLLER ASSEMBLY, 026435A
 600: SN F19325F-17 & Before; 660: SN F04410F-8 & Before;
 720: SN F20800F-20 & Before; 780: SN F25000F-4 & Before

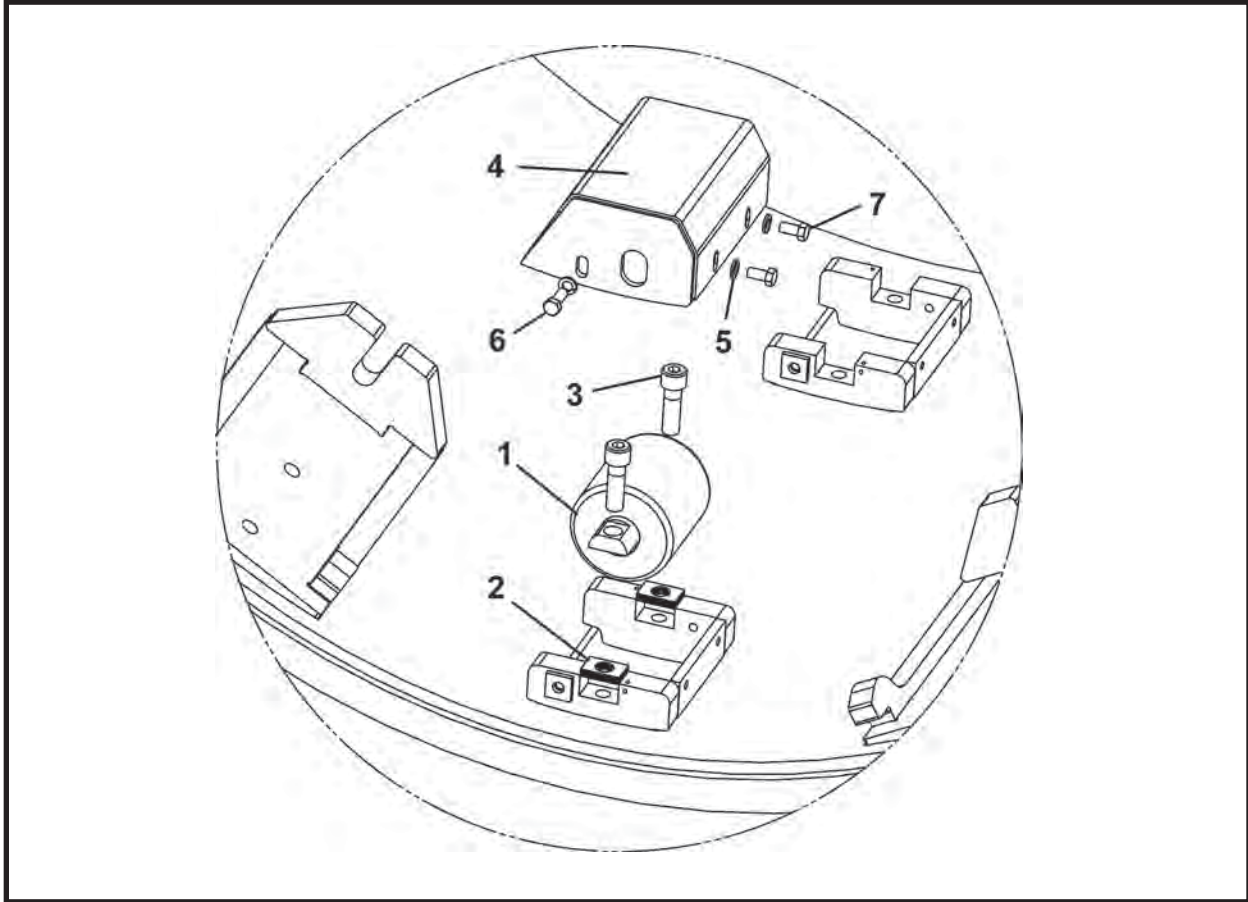


ITEM	QTY	PART NO.	DESCRIPTION
0	1	026435A	ASSEMBLY, Common Drum Roller
1	1	011845A00	ASSEMBLY, Drum Roller Bearing
2	12	011809P00	SHIM
3	2	011808P00	SCREW, Socket Head Cap, 5/8 x 2
4	1	002082A01	COVER ASSEMBLY
5	4	P0045-006	WASHER, Lock 3/8
6	4	P0001-06-004	BOLT, 3/8 UNC x 1

DRUM ROLLER ASSEMBLY, 022132A

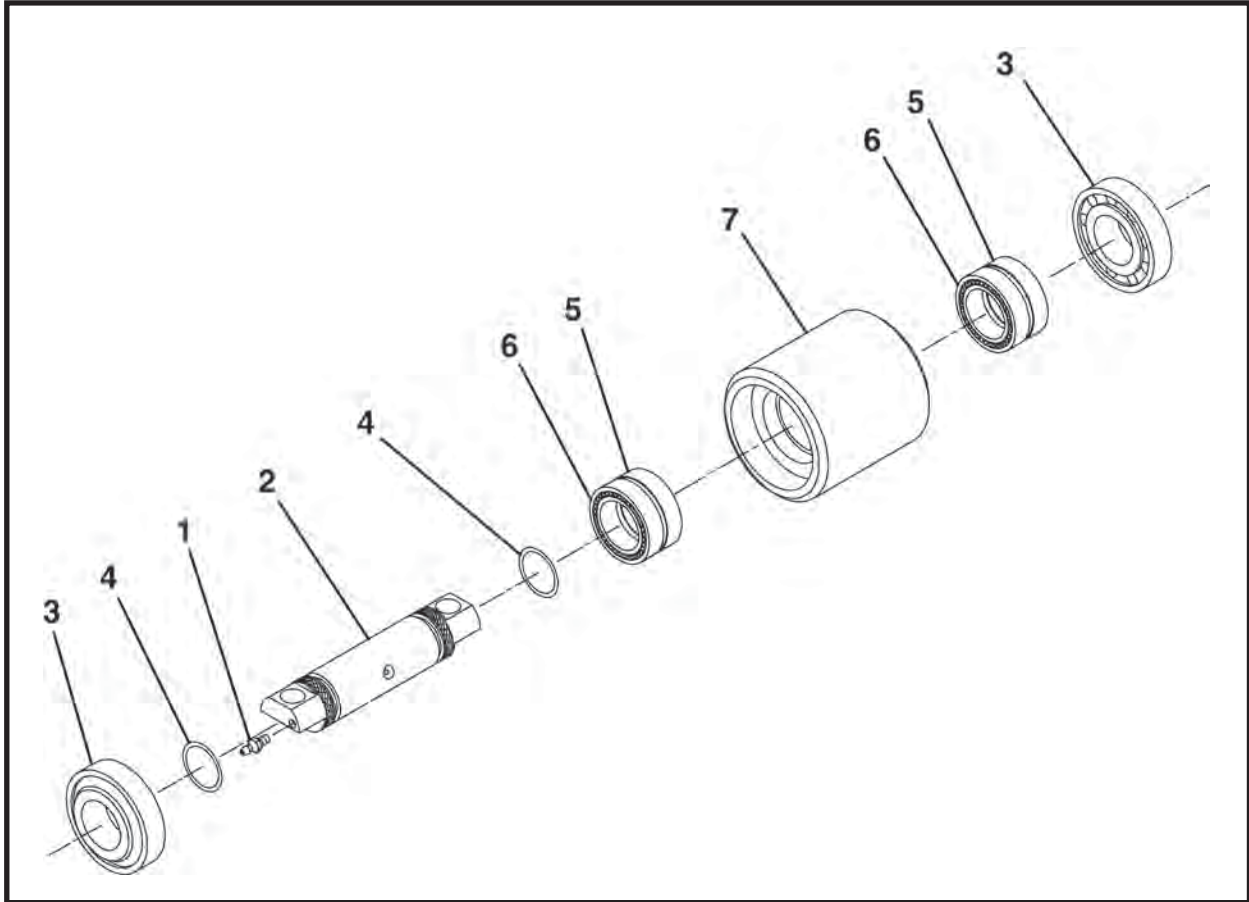
600: SN F19325F-18 & After; 660: SN F04410F-9 & After;

720: SN F20800F-21 & After; 780: SN F25000F-5 & After



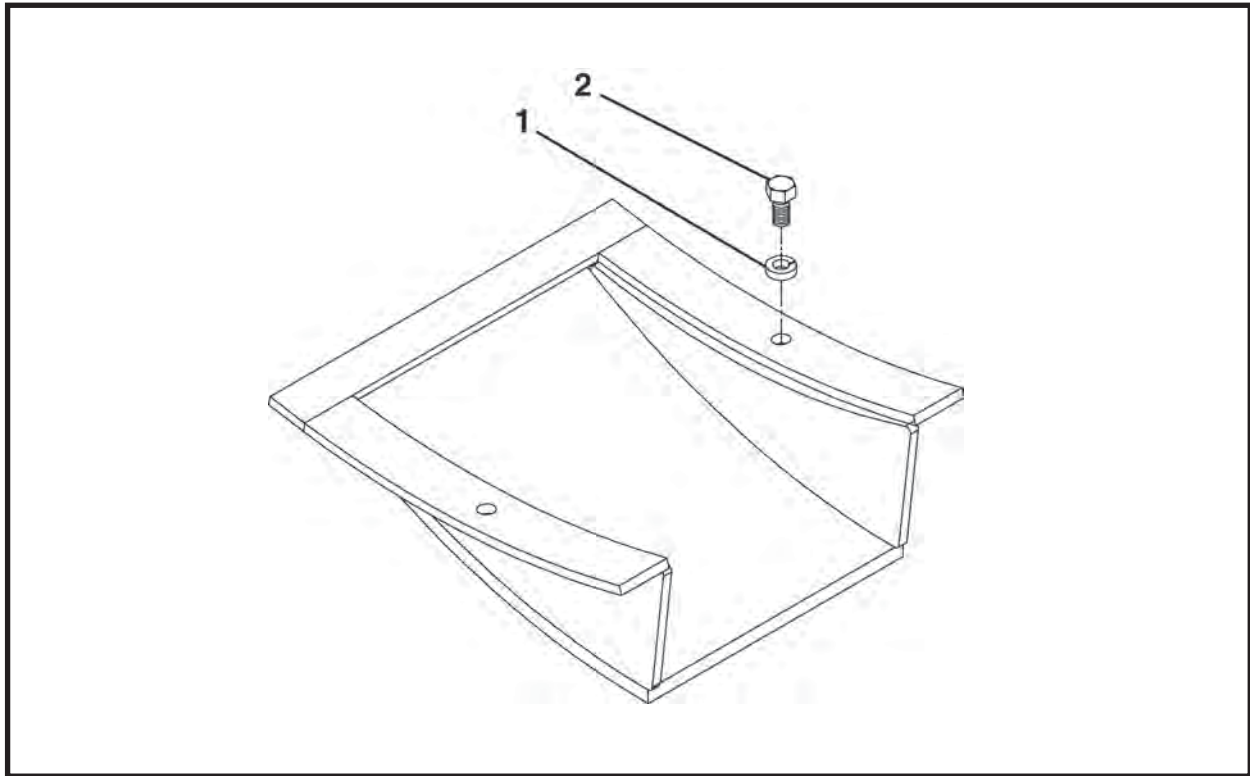
ITEM	QTY	PART NO.	DESCRIPTION
0	1	022132A	ASSEMBLY, Drum Roller
1	1	011845A00	ASSEMBLY, Drum Roller Bearing
2	12	011809P00	SHIM
3	2	011808P00	SCREW, Socket Head Cap, 5/8 x 2
4	1	022180A	ASSEMBLY, Cover
5	4	P0045-006	WASHER, Lock 3/8
6	2	P0001-06-004	BOLT, 3/8 UNC x 1
7	2	P0001-06-003	BOLT, 3/8 UNC x .75

DRUM ROLLER BEARING ASSEMBLY, 011845A00



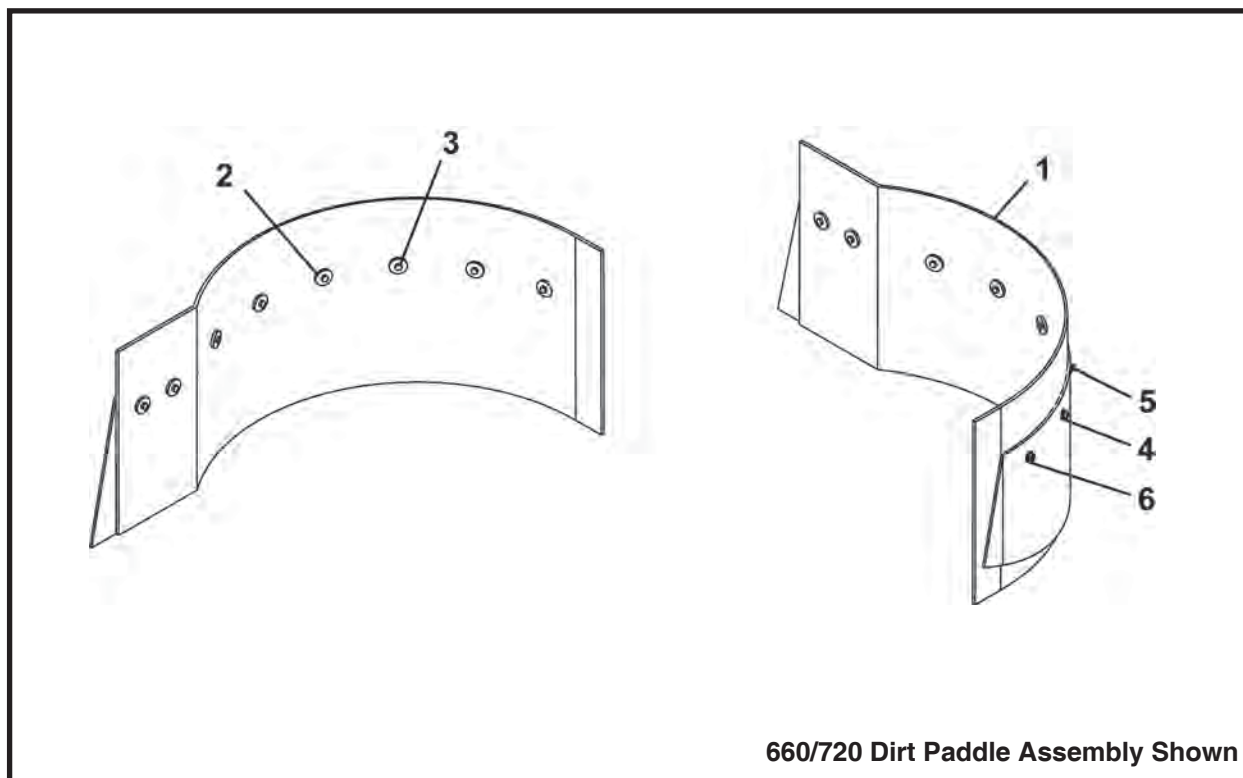
ITEM	QTY	PART NO.	DESCRIPTION
0	1	011845A00	ASSEMBLY, Drum Roller
1	1	P0063-001	FITTING, Grease 1/4-28 UNF
2	1	011805P00	ROD
3	2	P0065-004	BEARING
4	2	P0085-218	ORING
5	2	P0065-099	BEARING, Roller
6	2	P0065-100	RING, Inner
7	1	011846P00	ROD

DIRT SCOOP ASSEMBLY



ITEM	QTY	600 PART NO.	660 PART NO.	720 PART NO.	780 PART NO.	DESCRIPTION
0	1	002289A00	003255A00	006510A00	006510A00	ASSEMBLY, Dirt Scoop
1	2	P0045-006	P0045-006	P0045-006	P0045-006	WASHER, Lock 3/8
2	2	P0001-06-003	P0001-06-003	P0001-06-003	P0001-06-003	BOLT, 3/8-16 UNC x .75

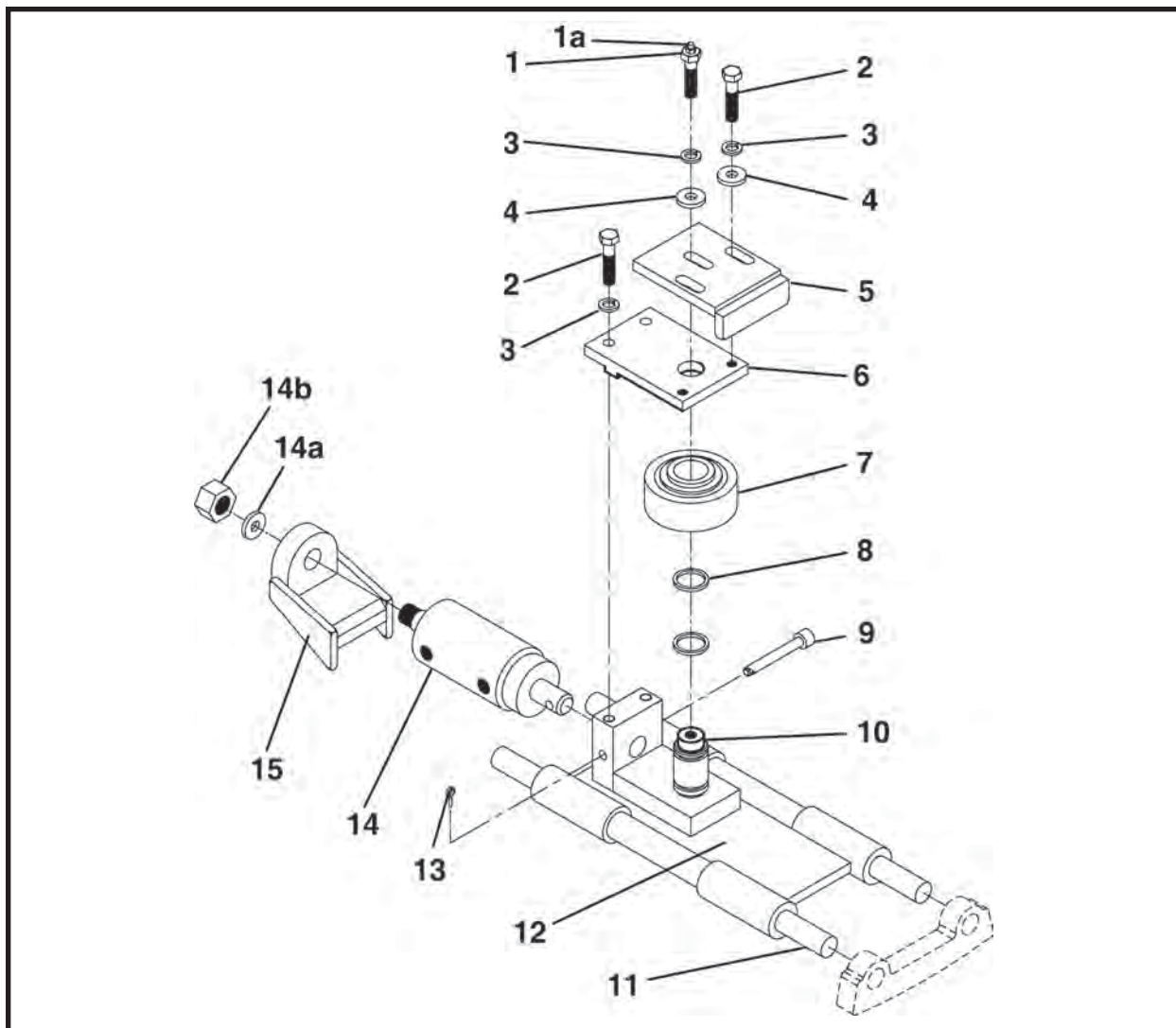
DIRT PADDLE ASSEMBLY



ITEM	QTY	600 PART NO.	660 PART NO.	720 PART NO.	780 PART NO.	DESCRIPTION
0	1	020841A	020844A	020844A	020847A	ASSEMBLY, Dirt Paddle
1	1	020842P	020845P	020845P	020848P	RUBBER, Dirt Paddle
2	6/8/8/8	002624P00	002624P00	002624P00	002624P00	WASHER
3	6/8/8/8	P0001-04-004	P0001-04-004	P0001-04-004	P0001-04-004	BOLT, 1/4 UNC x 1
4	6/8/8/8	P0045-004	P0045-004	P0045-004	P0045-004	WASHER, Lock 1/4
5	6/8/8/8	P0003-04-000	P0003-04-000	P0003-04-000	P0003-04-000	NUT, 1/4
6	6/8/8/8	P0040-004	P0040-004	P0040-004	P0040-004	WASHER, Hardened Flat 1/4

NOTES

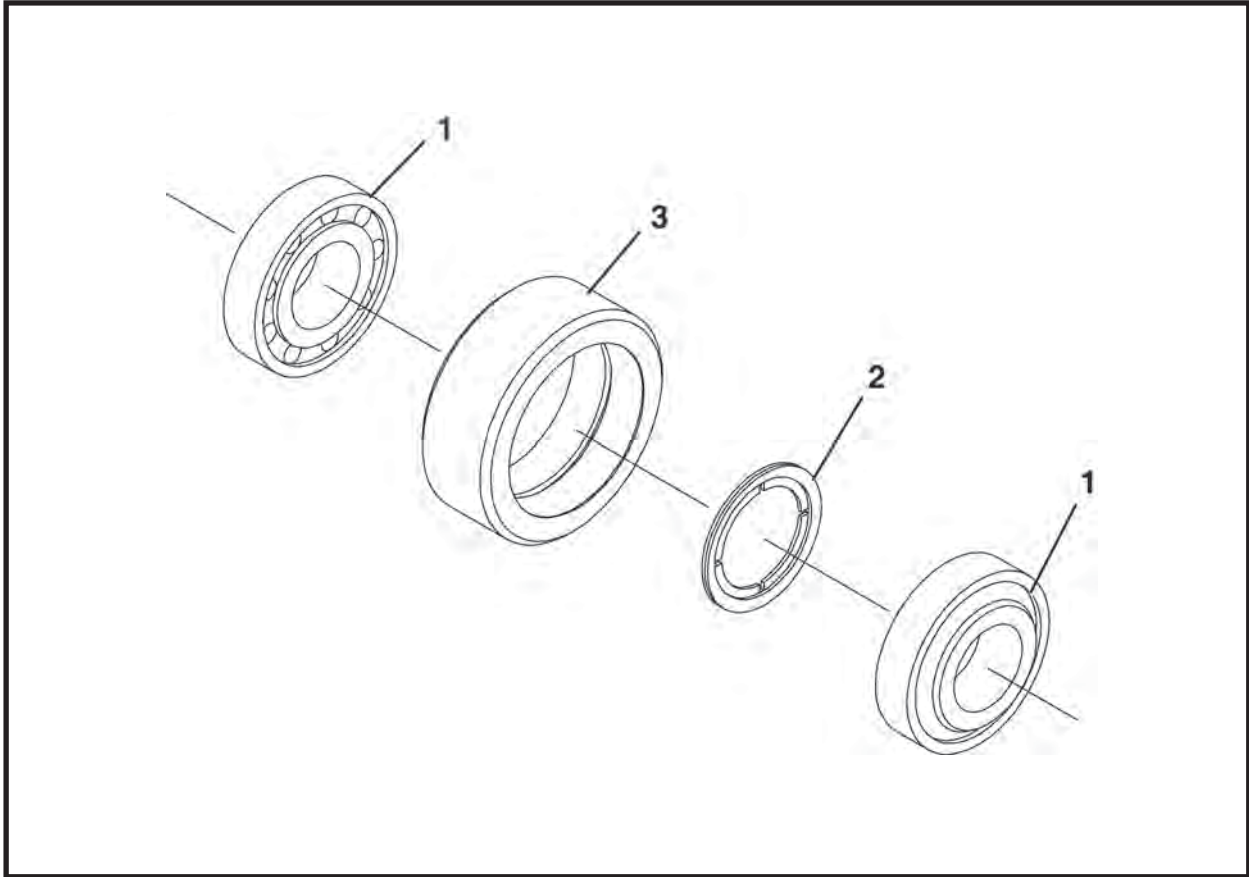
**DRUM ADVANCE STANDARD ASSEMBLY, 026140A
FOR STANDARD DUTY APPLICATIONS**



ITEM	QTY	PART NO.	DESCRIPTION
0	1	026140A	ASSEMBLY, Drum Advance Standard
1	1	001906A00	BOLT & FITTING (Includes item 1a)
1a	1	P0063-001	FITTING, Grease 1/4 UNF
2	4	P0001-08-005	BOLT, 1/2-13 UNC x 1-1/4
3	5	P0045-008	WASHER, Lock 1/2
4	3	001887P00	WASHER
5	1	001328A00	GUIDE, Thrust Roller
6	1	025356P00	PLATE
7.1	1	001296A02	THRUST ROLLER (For Standard Duty)
7.2*	1	P0065-134	THRUST ROLLER (For Heavy Duty)
8.1	2	P0085-218	ORING (For Standard Duty)
8.2*	2	P0085-214	ORING (For Heavy Duty)
9	1	002243P00	PIN, Cylinder Mount
10.1	1	025354P01	SHAFT, Thrust Roller (For Standard Duty)
10.2*	1	025355P00	SHAFT, Thrust Roller (For Heavy Duty)
11	2	006825P01	ROD
12	1	010737A02	BRACKET, Thrust (Includes item 12a)
12a	2	P0063-003	FITTING, Grease 90 Degree (not shown)
13	1	P0048-024	PIN, Cotter
14	1	010747A00	CYLINDER, Advance (Includes items 14a and 14b)
14a	1	P0040-014	WASHER
14b	1	P0004-14-000	NUT, 7/8 UNF
15	1	002261A01	HOLDER, Advance Cylinder

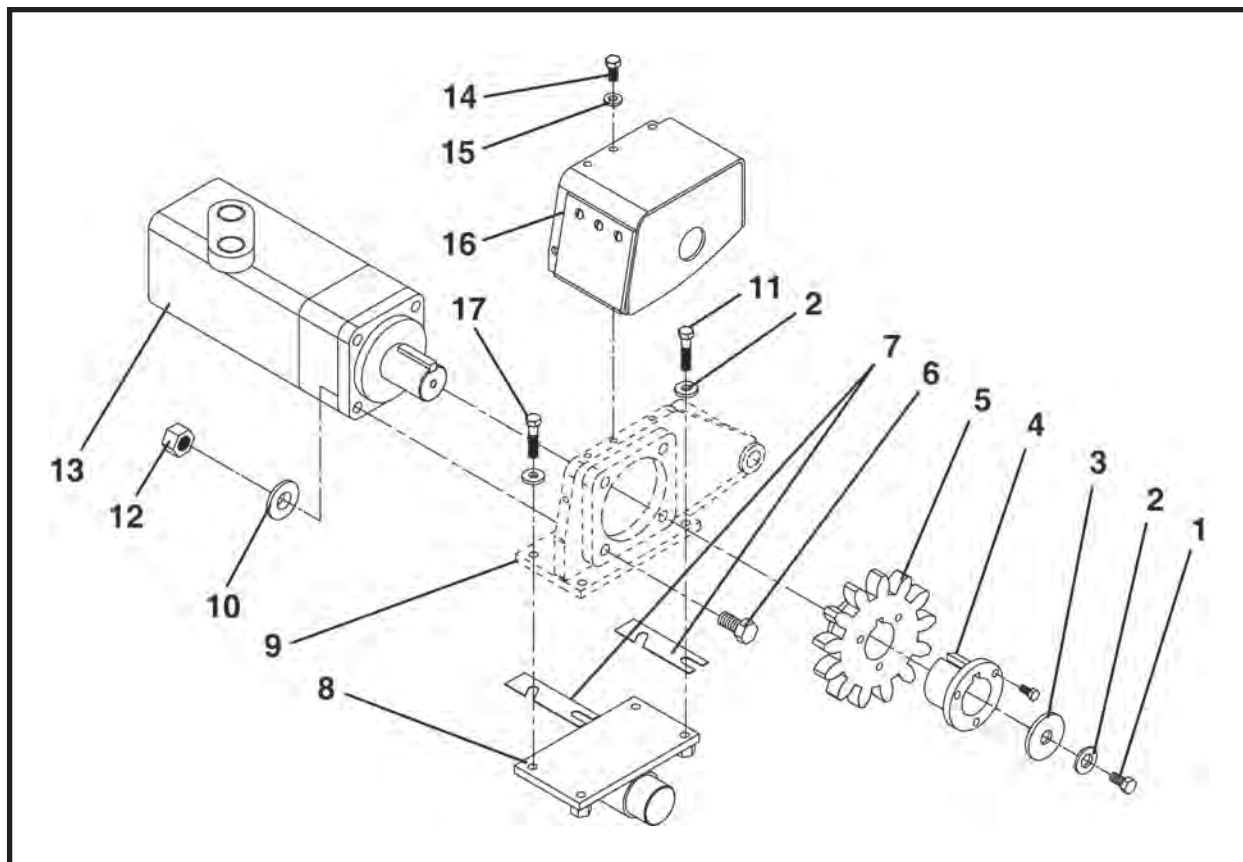
* For heavy duty application.

THRUST ROLLER ASSEMBLY, 001296A02



ITEM	QTY	PART NO.	DESCRIPTION
0	1	001296A02	ASSEMBLY, Thrust Roller
1	2	P0065-004	BEARING
2	1	010740P01	SPACER, Bearing
3	1	010741P00	BODY, Roller

MOTOR ASSEMBLY, 013814A00

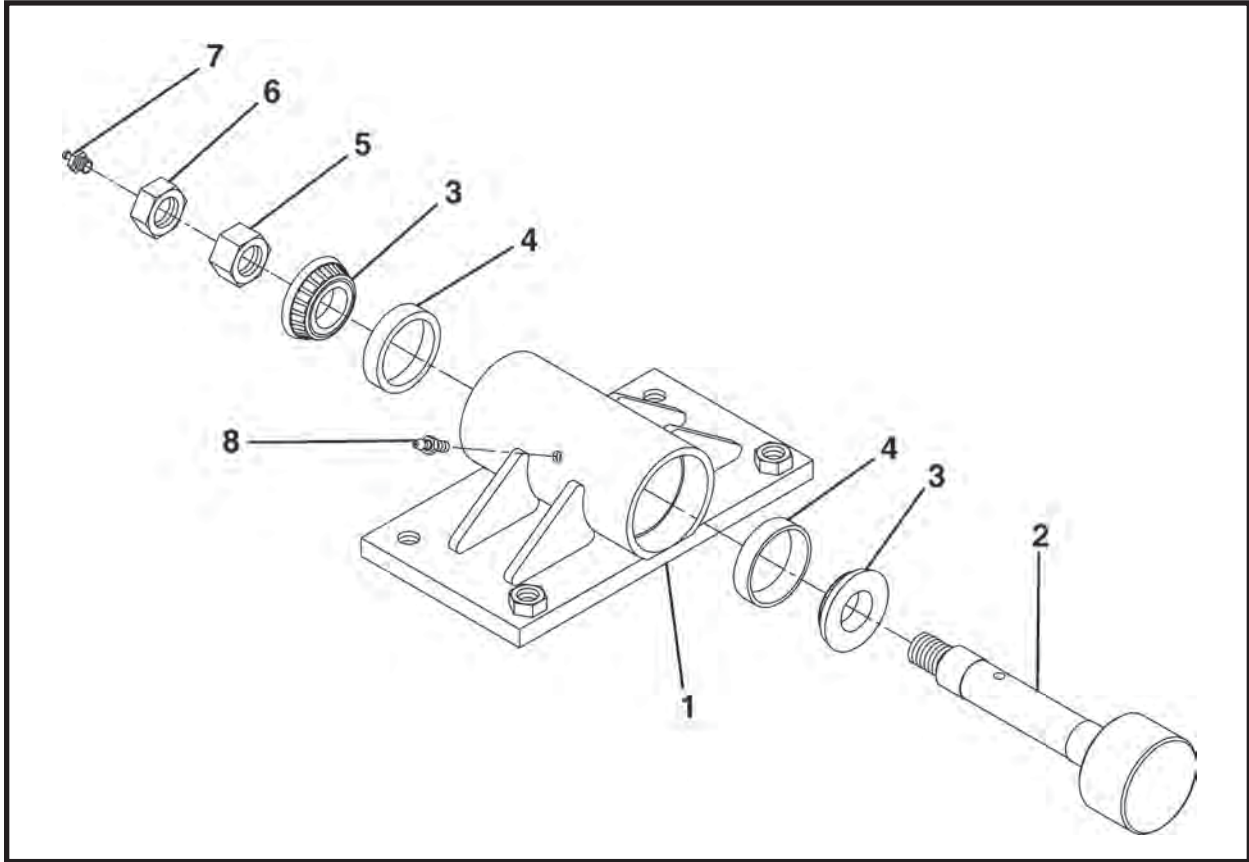


ITEM	QTY	PART NO.	DESCRIPTION
0	1	013814A00	ASSEMBLY, Motor
1	1	P0002-08-004	BOLT, 1/2-20 UNF x 1
2	5	P0045-008	WASHER, Lock 1/2
3	1	001320P00	WASHER
4	1	P0066-036	BUSHING
5	1	002995P04	SPROCKET
6	4	P0001-10-010	BOLT, 5/8-11 UNC x 2.5
7	8	007332P00	SHIM
8	1	001231A01	ASSEMBLY, Idler Roller
9	-	-	ASSEMBLY, Motor Bracket
10	4	P0040-010	WASHER, Hardened Flat 5/8
11	2	P0001-08-007	BOLT, 1/2 UNC x 1.5
12	4	P0003-10-000	NUT, 5/8
13*	1	P0304-123	MOTOR
14	4	P0001-06-003	BOLT, 3/8 UNC x 3/4
15	4	P0045-006	WASHER, Lock 3/8
16	1	008289A00	ASSEMBLY, Motor Guard (Includes item 16a)
16a	6	P0020-14-203	SCREW, Truss 1/4 UNC x .75
17	2	P0001-08-006	BOLT, 1/2 UNC x 1.75

* Refer to Section 8, Motors for parts information.

NOTE: An Inner Drum Motor Assembly Option is available for the 720 & 780 TBMs (720 - 029994A, 780 - 029987A). Refer to this section for parts information.

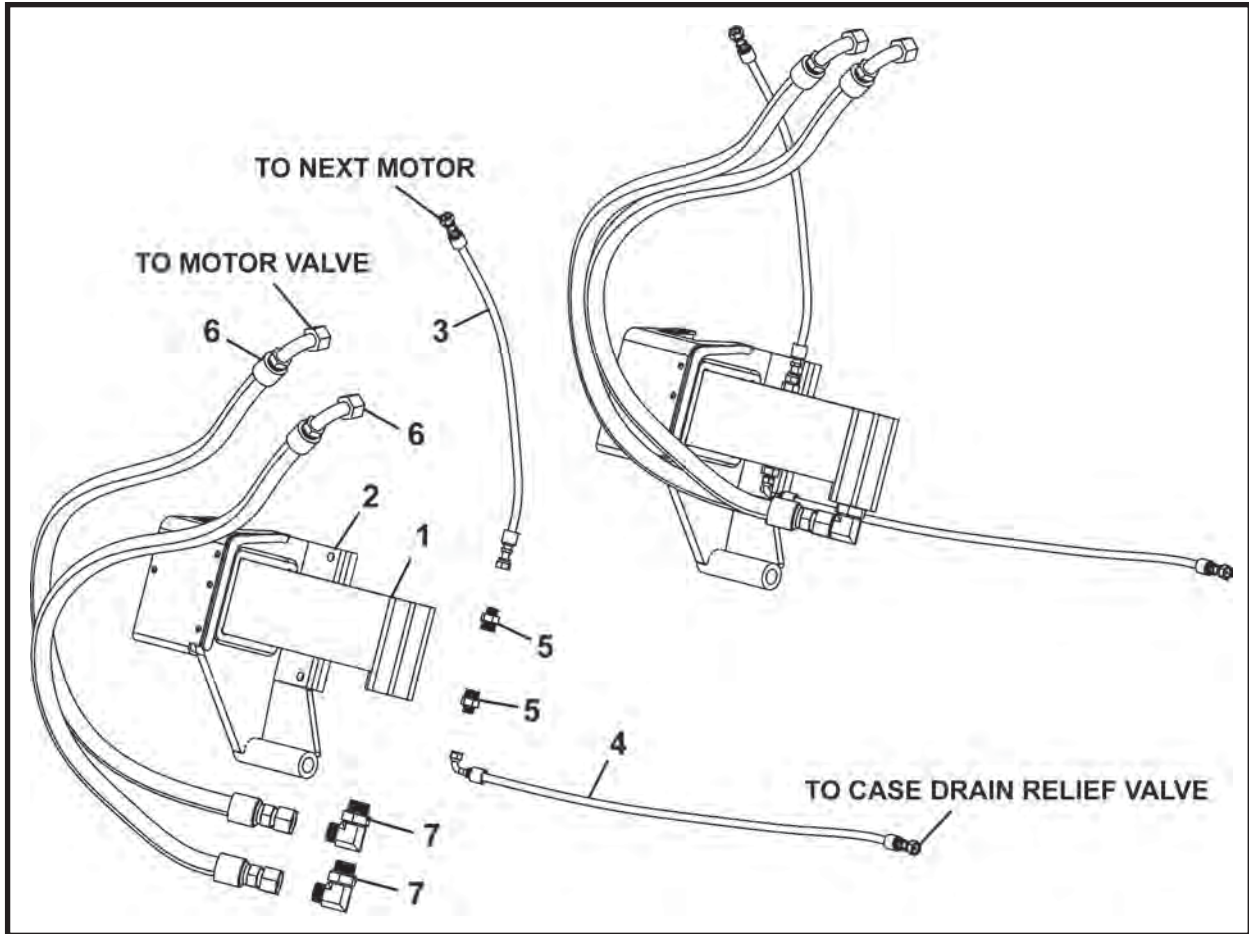
IDLER ROLLER ASSEMBLY, 001231A01



ITEM	QTY	PART NO.	DESCRIPTION
0	1	001231A01	ASSEMBLY, Idler Roller
1	1	001229A01	ASSEMBLY, Housing
2	1	001922P01	SHAFT, Idler Roller
3	2	P0065-020	BEARING CONE
4	2	P0065-021	BEARING CUP
5	1	P0004-12-000	NUT, 3/4 UNF
6	1	P0008-12-000	NUT, Jam 3/4 UNF
7	1	P0063-001	FITTING, Grease 1/4 UNF
8	1	P0063-012	FITING, Grease 1/4 NPT

Note: Contact your Akkerman Aftermarket Support Representative for proper assembly.

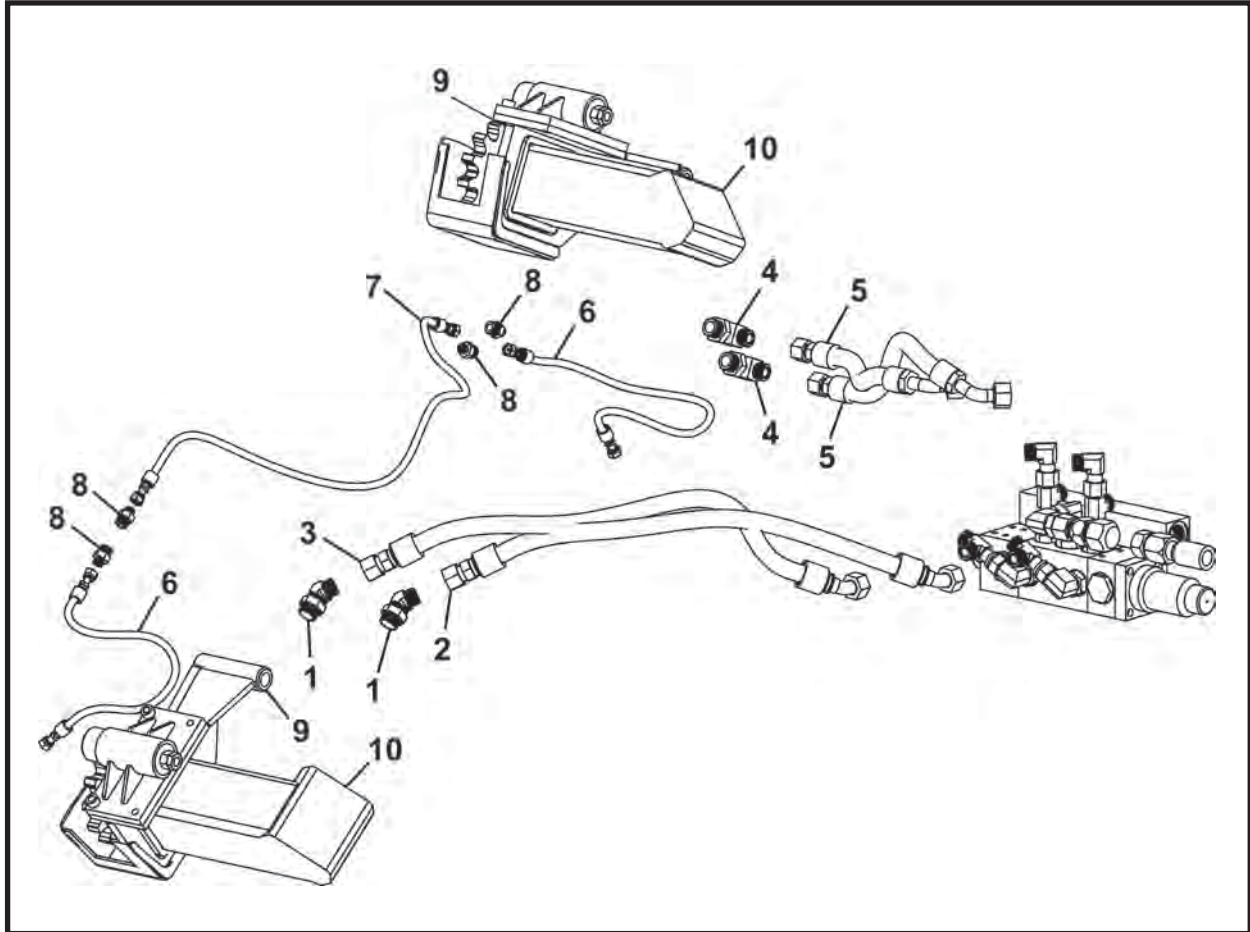
**INNER DRUM MOTOR ASSEMBLY OPTION 720, 029994A
FOR TBM 720**



ITEM	QTY	PART NO.	DESCRIPTION
0	1	029994A	ASSEMBLY, Inner Drum Motor Option 720
1*	1	013814A00	ASSEMBLY, Motor
2	1	009588A00	BRACKET, Motor
3	1	A10313A-030	ASSEMBLY, Hose 3/8 x 30
4	1	A10079A-035	ASSEMBLY, Hose 3/8 x 35
5	2	P0300-634	FITTING, 06MFOR-10MB
6	2	A10436A-071	ASSEMBLY, Hose 3/4 x 71
7	2	P0300-671	FITTING, 12MFFOR-16MB90

* Refer to this section for parts information.

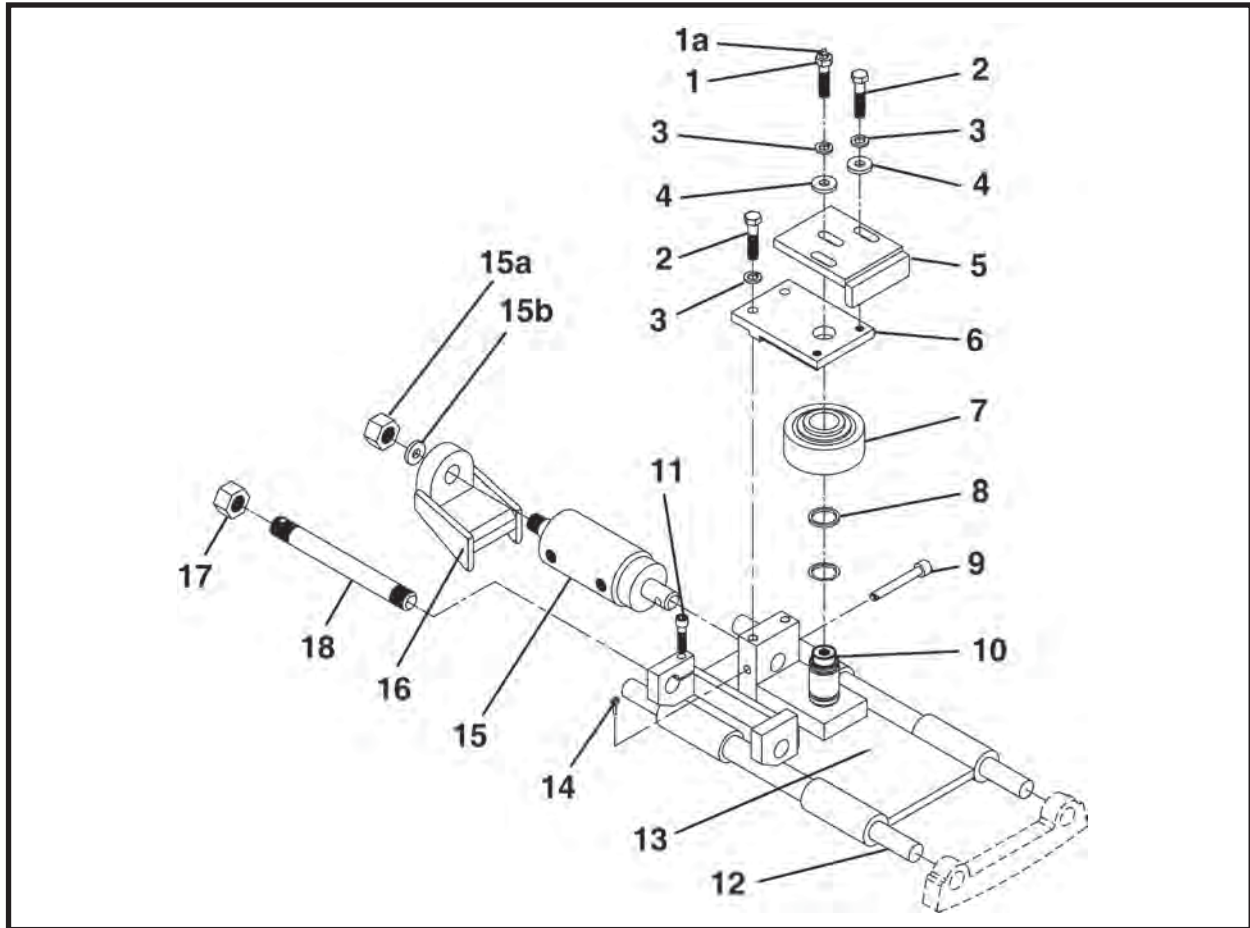
**INNER DRUM MOTOR ASSEMBLY OPTION 780, 029987A
FOR TBM 780**



ITEM	QTY	PART NO.	DESCRIPTION
0	1	029987A	ASSEMBLY, Inner Drum Motor Option 780
1	2	P0300-561	FITTING, 12MFFOR-16MB45
2	1	A09953A-041	ASSEMBLY, Hose 3/4 x 41
3	1	A09953A-054	ASSEMBLY, Hose 3/4 x 54
4	2	P0300-671	FITTING, 12MFFOR-16FMB90
5	2	A09951A-026	ASSEMBLY, Hose 3/4 x 26
6	2	A10313A-036	ASSEMBLY, Hose 3/8 x 36
7	1	A10313A-070	ASSEMBLY, Hose 3/8 x 70
8	4	P0300-634	FITTING, 06MFOR-10MB
9	2	009588A00	BRACKET, Motor
10*	2	013814A00	ASSEMBLY, Motor

* Refer to this section for parts information.

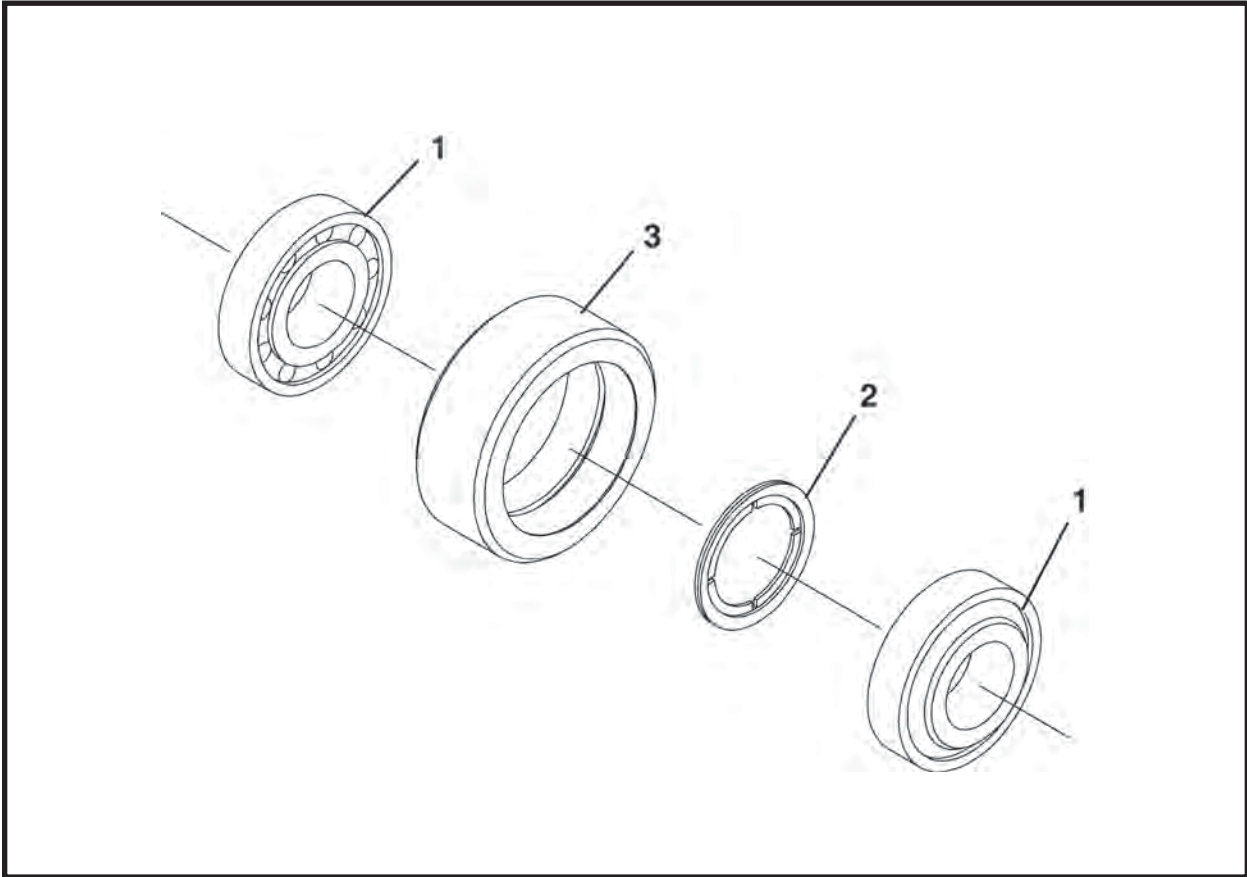
**DRUM ADVANCE FOR MOTOR ASSEMBLY, 026145A
FOR STANDARD DUTY APPLICATIONS**



ITEM	QTY	PART NO.	DESCRIPTION
0	1	026145A	ASSEMBLY, Drum Advance For Motor
1	1	001906A00	BOLT, Grease (Includes item 1a)
1a	1	P0063-001	FITTING, Grease 1/4 UNF
2	4	P0001-08-005	BOLT, 1/2 UNC x 1.25
3	5	P0045-008	WASHER, Lock 1/2
4	3	001887P00	ADVANCE, Washer
5	1	001328A00	GUIDE, Thrust Roller
6	1	025356P00	PLATE, Thrust Roller
7	1	001296A02	THRUST ROLLER (For Standard Duty)
7.2*	1	P0065-134	THRUST ROLLER (For Heavy Duty)
8.1	2	P0085-218	ORING (For Standard Duty)
8.2*	2	P0085-214	ORING (For Heavy Duty)
9	1	002243P00	PIN, Cylinder
10.1	1	025354P01	SHAFT, Thrust Roller (For Standard Duty)
10.2*	1	025355P00	SHAFT, Thrust Roller (For Heavy Duty)
11	1	P0031-07-007	SCREW, Socket Head Cap 7/16 UNC x 1.75
12	2	006825P01	ROD
13	1	010744A02	BRACKET, Motor & Thrust Roller (Includes item 13a)
13a	2	P0063-001	FITTING, Grease 1/4 UNF (not shown)
14	1	P0048-024	PIN, Cotter 1/8 x 3/4
15	1	010747A00	CYLINDER, Advance (Includes items 15a & 15b)
15a	1	P0040-014	WASHER, 7/8
15b	1	P0004-14-000	NUT, 7/8
16	1	002261A01	HOLDER, Advance Cylinder
17	1	P0007-16-000	NUT, Jam 1 UNC
18	1	010742P00	SHAFT, Motor Mount

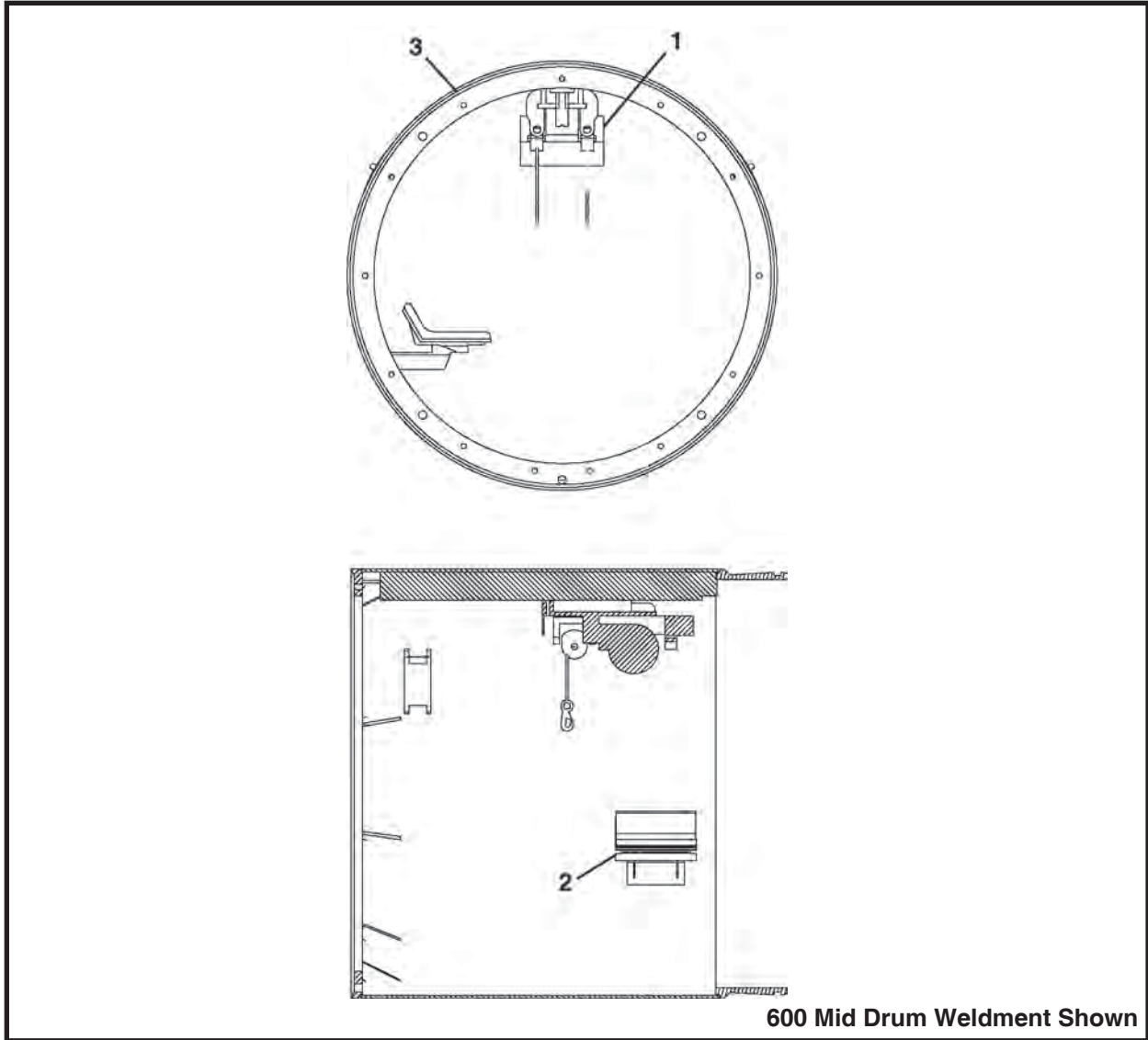
* For heavy duty applications.

THRUST ROLLER ASSEMBLY, 001296A02



ITEM	QTY	PART NO.	DESCRIPTION
0	1	001296A02	ASSEMBLY, Thrust Roller
1	2	P0065-004	BEARING
2	1	010740P01	SPACER, Bearing
3	1	010741P00	BODY, Roller

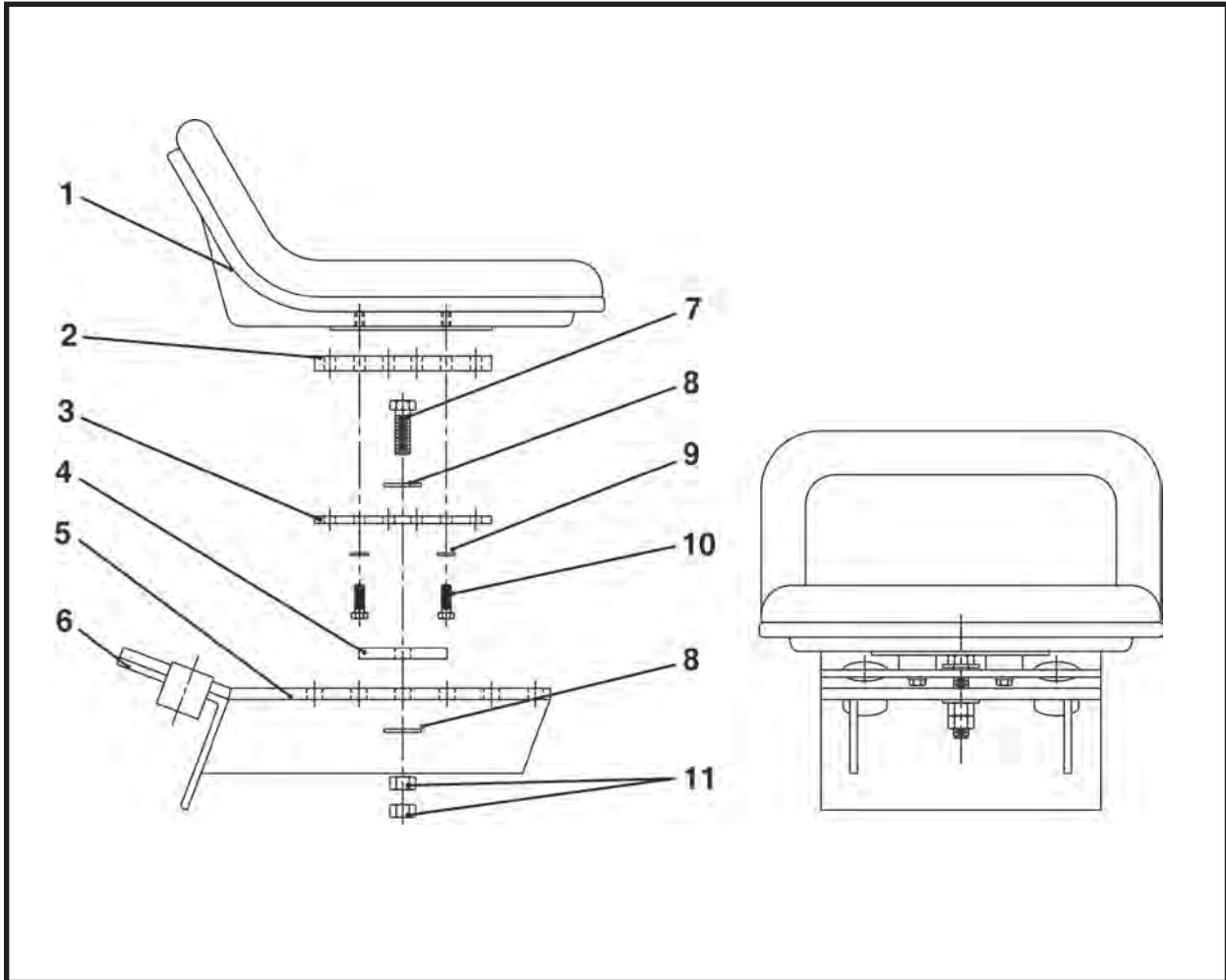
MID DRUM ASSEMBLY



ITEM	QTY	600 PART NO.	660 PART NO.	720 PART NO.	780 PART NO.	DESCRIPTION
0	1	019334A01	004446A01	020805A01	025065A	ASSEMBLY, Mid Drum
1	1	*012609A01	012609A01	012609A01	012609A01	ASSEMBLY, Conveyor Lift
2	1	009992A01	009992A01	009992A01	009992A01	ASSEMBLY, Seat
3	1	019371A02	027027A	020806A02	025060A	WELDMENT, Mid Drum

* Some 600 TBMs use Conveyor Lift Assembly, 025315A00.

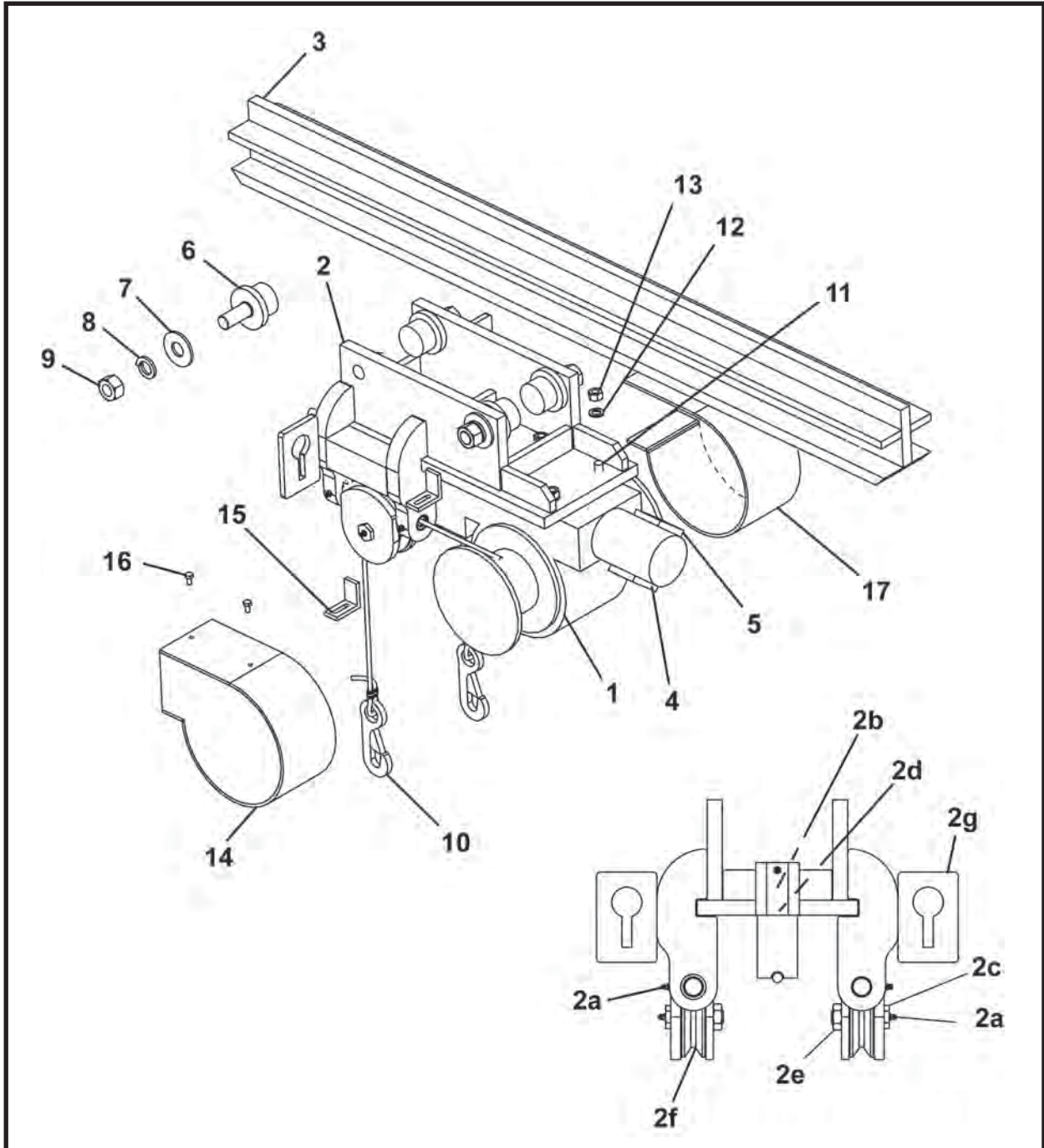
SEAT ASSEMBLY, 009992A01



ITEM	QTY	PART NO.	DESCRIPTION
0*	1	009992A01	ASSEMBLY, Seat
1a	1	P0113-001	SEAT, Lower Back - Standard
1b	1	P0113-001A	SEAT, Lower Back - Flame Resistant
2	2	009993P00	BAR
3	1	009994P00	BAR
4	1	009995P00	BAR
5	1	019378A00	BRACKET, Seat
6	1	019382P00	ANGLE
7	1	P0001-08-009	BOLT, 1/2-13 UNC x 2-1/4
8	2	P0040-008	WASHER, Flat 1/2
9	4	P0045-005	WASHER, Lock 5/16
10	4	P0001-05-004	BOLT, 5/16-18 UNC x 1
11	2	P0003-08-000	NUT, Hex 1/2

* When ordering 009992A01, the standard seat P0113-001 will be provided unless otherwise noted that the flame resistant seat, P0113-001A is requested.

CONVEYOR LIFT ASSEMBLY, 012609A01
600 - 660 - 720 - 780



ITEM	QTY	PART NO.	DESCRIPTION
0	1	012609A01	ASSEMBLY, Conveyor Lift
1*	1	P0106-002	WINCH, Hydraulic
2	1	012785A00	WELDMENT, Trolley Bracket (Includes items 2a - 2f)
2a	7	P0063-001	FITTING, Grease 1/4
2b	1	P0070-024	SPRING
2c	2	003661P00	BOLT, Conveyor Lift
2d	1	P0044-021	RING, Snap
2e	2	P0007-12-000	NUT, Jam 3/4 UNC
2f	2	003660A01	ASSEMBLY, Pulley (Includes item 2f1)
2f1	1	P0066-003	BUSHING, Bronze
2g	2	012271P00	CHAIN GRABBER

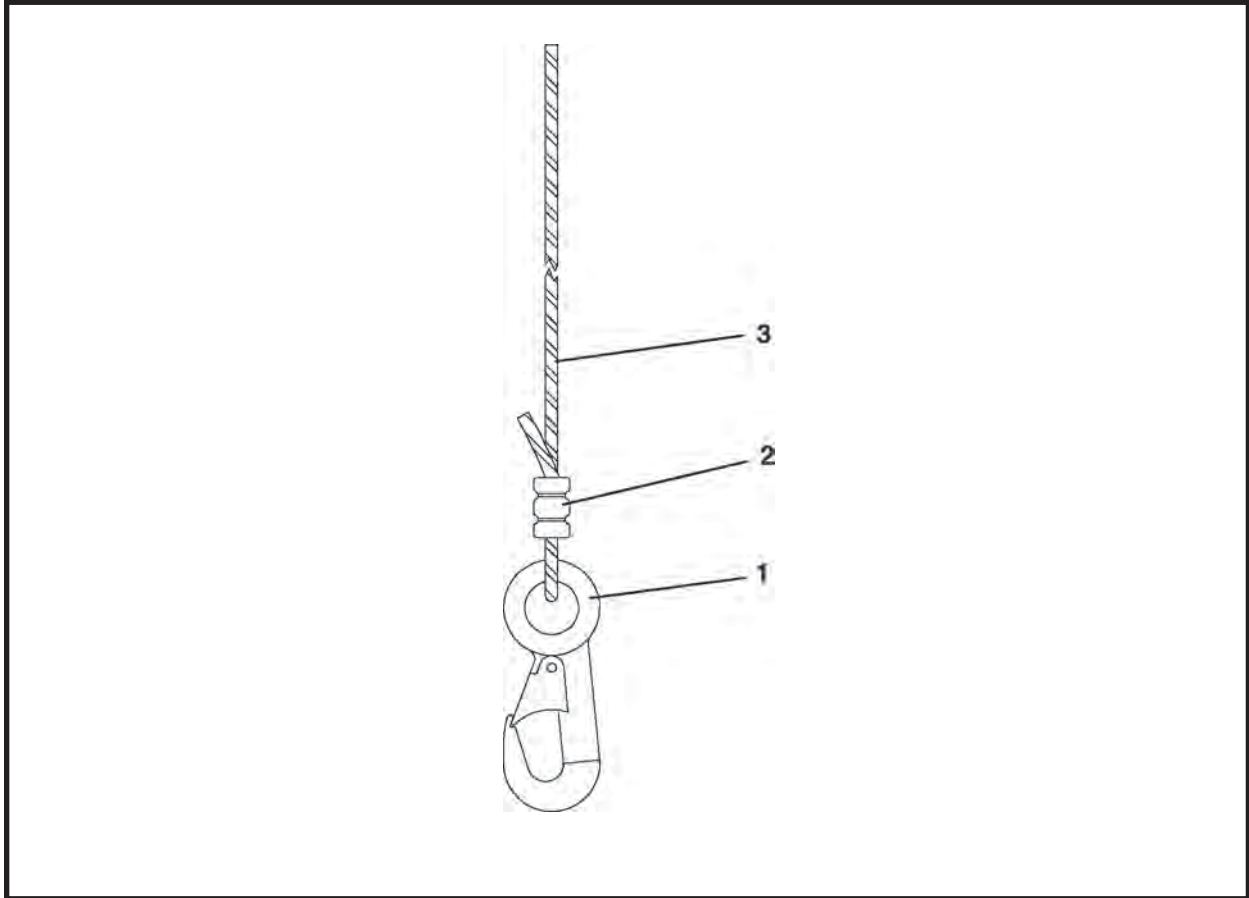
CONVEYOR LIFT ASSEMBLY, 012609A01
600 - 660 - 720 - 780

ITEM	QTY	PART NO.	DESCRIPTION
3	1	012790A00	WELDMENT, Trolley Rail
4	1	P0304-131	MOTOR, Hydraulic
5	1	P0304-132	VALVE, Crossover Relief (1300 PSI)
6	4	P0065-082	BEARING
7	4	P0040-014	WASHER, Flat 7/8
8	4	P0045-014	WASHER, Lock 7/8
9	4	P0004-14-000	NUT, 7/8-14 UNF
10**	2	012795A00	ASSEMBLY, Cable & Hook
11	4	P0001-08-008	BOLT, 1/2 UNC x 2
12	4	P0045-008	WASHER, Lock 1/2
13	4	P0003-08-000	NUT, 1/2 UNC
14	1	012765A01	WELDMENT, Winch Guard - Right
15	4	027113P00	BRACKET, Winch Cover Mounting
16	4	P0001-04-002	BOLT, 1/4 UNC x .5
17	1	012798A01	WELDMENT, Winch Guard - Left

* Refer to section 6, Hydraulics for parts information.

** The cable and hook assembly, item 10, 012795A00, must be wrapped a minimum of 5 times.

CABLE ASSEMBLY

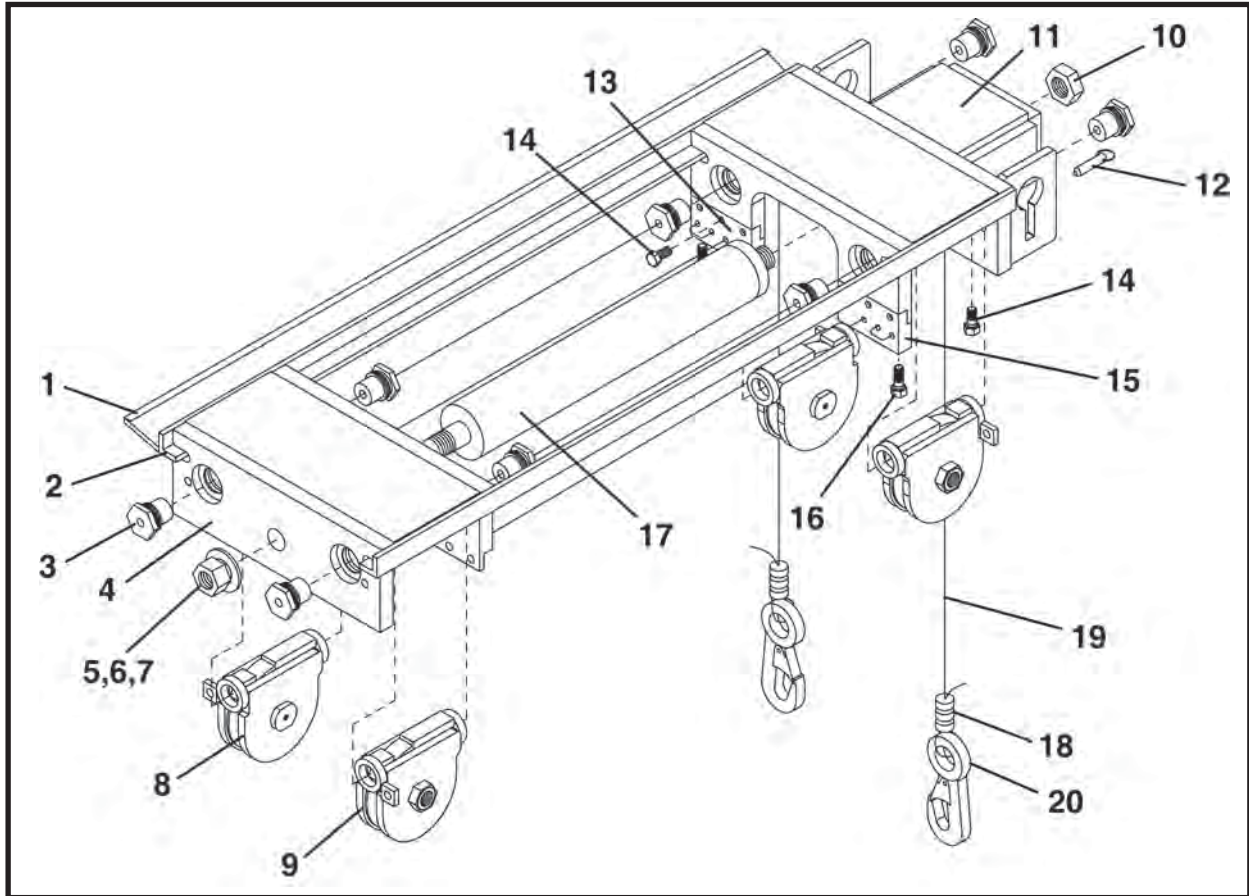


ITEM	QTY	PART NO.	PART NO.	DESCRIPTION
0	1	003965A00	012795A00	ASSEMBLY, Cable
1	1	P0079-001	P0079-001	HOOK, Snap
2	1	P0073-001	P0073-001	SLEEVE
3.1	72 LI	P0075-002	-	CABLE, 1/4 x 72
3.2	180 LI	-	P0075-002	CABLE, 1/4 x 180

LI - Linear Inch

Note: Use Cable Assembly, 012795A00 for all TBMs with winch style conveyor lifts.

CONVEYOR LIFT ASSEMBLY, 025315A00
SELECT 600 TBMs

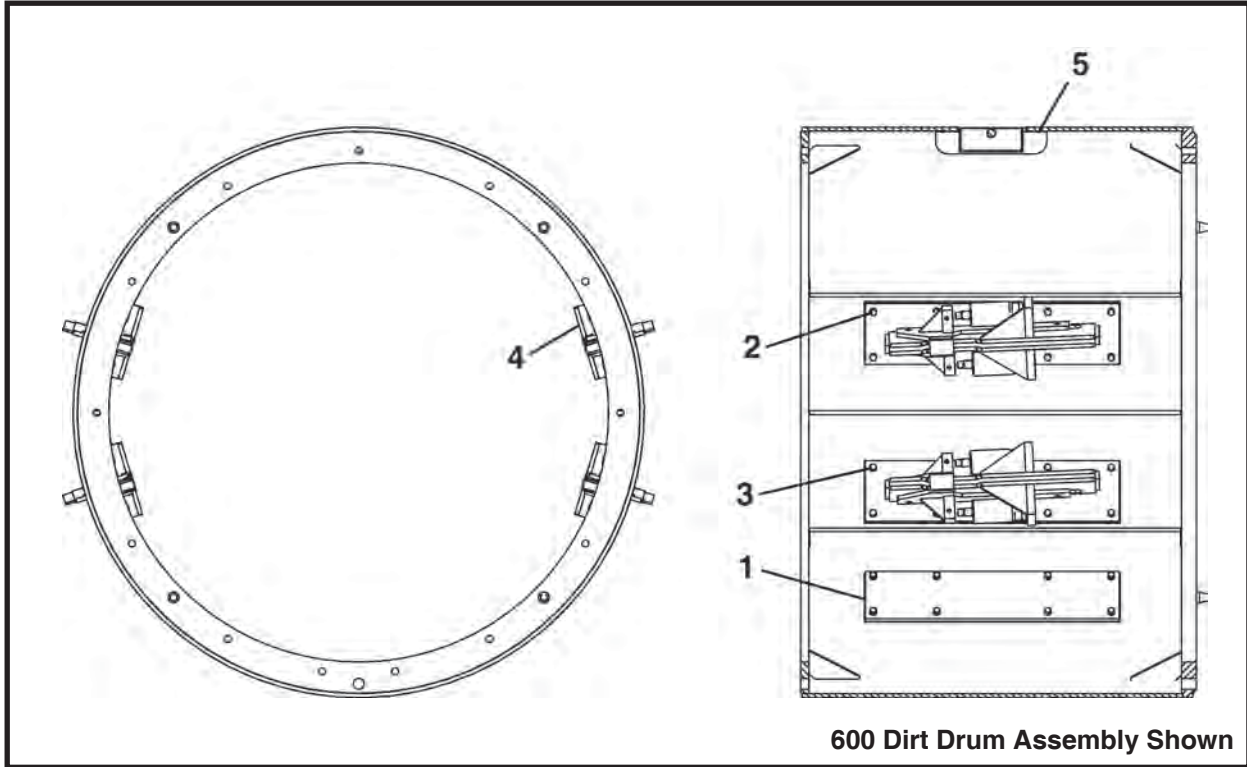


ITEM	QTY	PART NO.	DESCRIPTION
0	1	025315A00	ASSEMBLY, Conveyor Lift
1	2	025389P00	BAR
2	2	025391P00	ANGLE
3	8	025398P00	ROD
4	1	025317A00	BRACKET, Slide
5*	1	P0004-14-000	NUT, 7/8 UNF
6	1	P0045-014	WASHER, Lock 7/8
7	2	P0040-016	WASHER, Hardened Flat 1
8	2	025316A01	ASSEMBLY, L.H. Pulley (Includes items 8a & 8b)
8a**	1	P0063-001	FITTING, Grease
8b**	1	P0007-12-000	NUT, Jam 3/4 UNC
9	2	025318A01	ASSEMBLY, R.H. Pulley (Includes items 9a & 9b)
9a**	1	P0063-001	FITTING, Grease
9b**	1	P0007-12-000	NUT, Jam 3/4-10 UNC
10*	1	P0008-16-000	NUT, Jam 1 NF
11	1	025319A00	BRACKET, Shaft End Slide
12	2	P0024-007	PIN, Locking 3/8 (Used with earlier models)
13	1	025386P00	BAR
14	12	P0001-06-003	BOLT, 3/8 UNC x 3/4
15	1	025383P00	BAR
16	2	P0001-06-004	BOLT, 3/8 UNC x 1
17.1	1	002691A00	CYLINDER, Conveyor Lift (With NPT Fittings)(Earlier Models)
17.2	1	020300A	CYLINDER, Conveyor Lift (With ORB Fittings)
18	2	P0073-001	SLEEVE
19	2	P0075-002-060	CABLE, 1/4 x 60 in.
20	2	P0079-001	HOOK, Snap

* Tack weld nuts to conveyor lift.

** Not Shown

DIRT WING DRUM ASSEMBLY



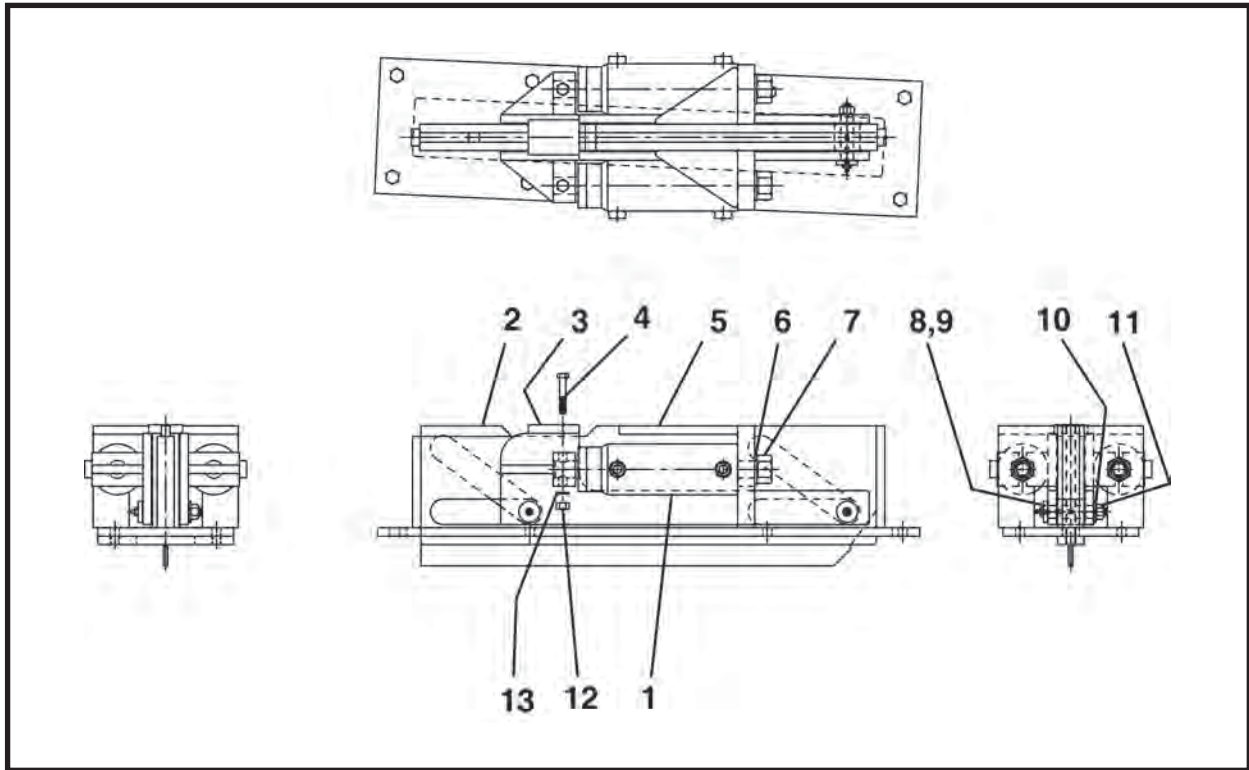
ITEM	QTY	600 PART NO.	660 PART NO.	720 PART NO.	780 PART NO.	DESCRIPTION
0	1	019323A01	027030A	020808A00	025027A	ASSEMBLY, Dirt Wing Drum
1	2	014619P00	014619P00	014619P00	014619P00	COVER, Dirt Wing
2	48	P0001-08-005	P0001-08-005	-	-	BOLT, 1/2 UNC x 1.25
2	48	-	-	P0001-08-004	P0001-08-004	BOLT, 1/2 UNC x 1
3	48	P0045-008	P0045-008	P0045-008	P0045-008	WASHER, Lock 1/2
4	4	014600A00	014600A00	014600A00	014600A00	ASSEMBLY, Hyd. Dirt Wing-CW
5	1	019324A01	027025A	020809A01	025018A	WELDMENT, Dirt Wing Drum
6*	-	014617A00	014617A00	014617A00	014617A00	DIRT WING, Hydraulic - CCW

* Optional, not shown.

Note: Optional bolt on dirt wings are available:

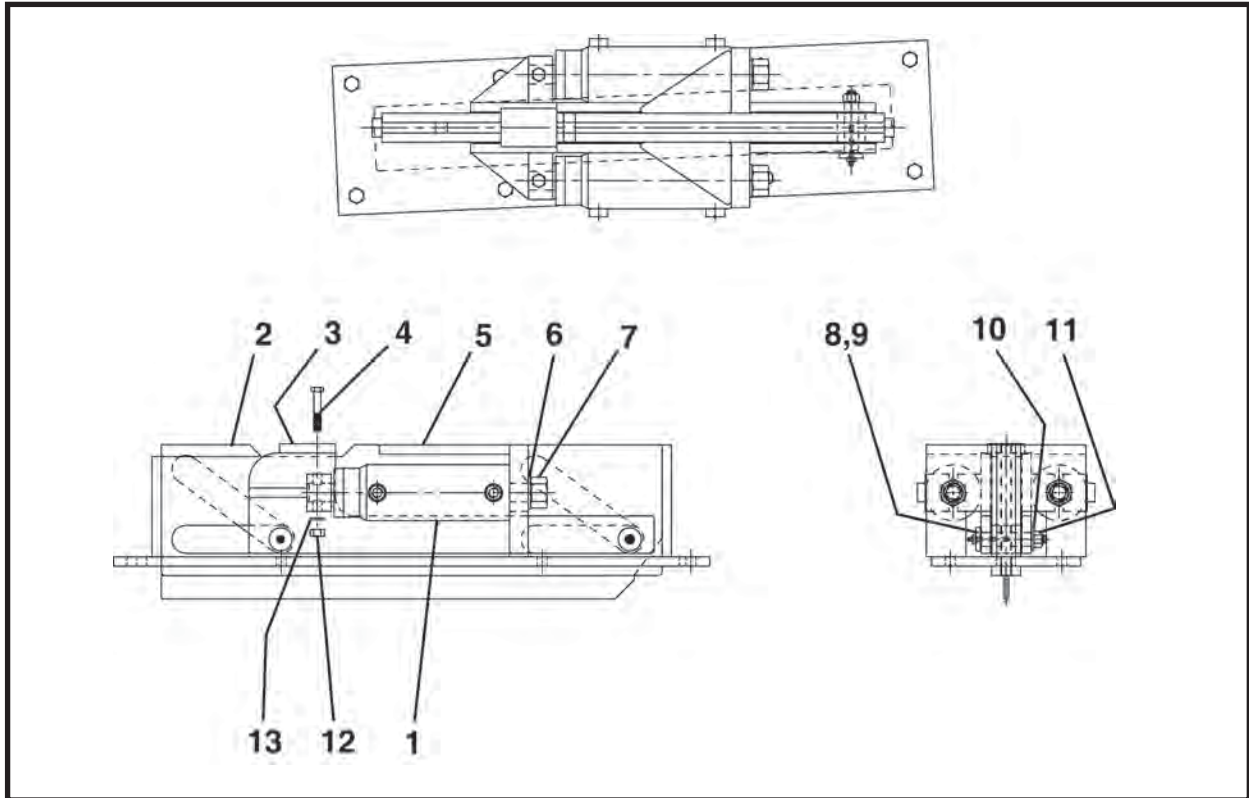
- 014650A00, Wing, Double Short
- 014651A00, Wing, Single Short - CW
- 014652A00, Wing, Single Short - CCW
- 014653A00, Wing, Double Tall
- 014654A00, Wing, Single Tall - CW
- 014655A00, Wing, Single Tall - CCW

HYDRAULIC DIRT WING (CW) ASSEMBLY, 014600A00



ITEM	QTY	PART NO.	DESCRIPTION
0	1	014600A00	ASSEMBLY, Hydraulic Dirt Wing (CW Rotation)
1	2	014603A00	CYLINDER, Dirt Wing
2	1	014610P00	WING
3	1	014606A01	BAR, Thruster
4	2	P0001-07-010	BOLT, 7/16 UNC x 2.5
5	1	014602A00	WELDMENT, Bracket (CW)
6	2	P0040-014	WASHER, Hardened Flat 7/8
7	2	P0004-14-000	NUT, 7/8 UNF
8	2	007239P00	PIN, Axle
9	6	07240P00	ROLLER
10	2	P0040-008	WASHER, Hardened Flat 1/2
11	2	P0013-08-000	NUT, Lock 1/2 UNC
12	2	P0003-07-000	NUT, 7/16 UNC
13	2	P0045-007	WASHER, Lock 7/16

HYDRAULIC DIRT WING (CCW) ASSEMBLY, 014617A00

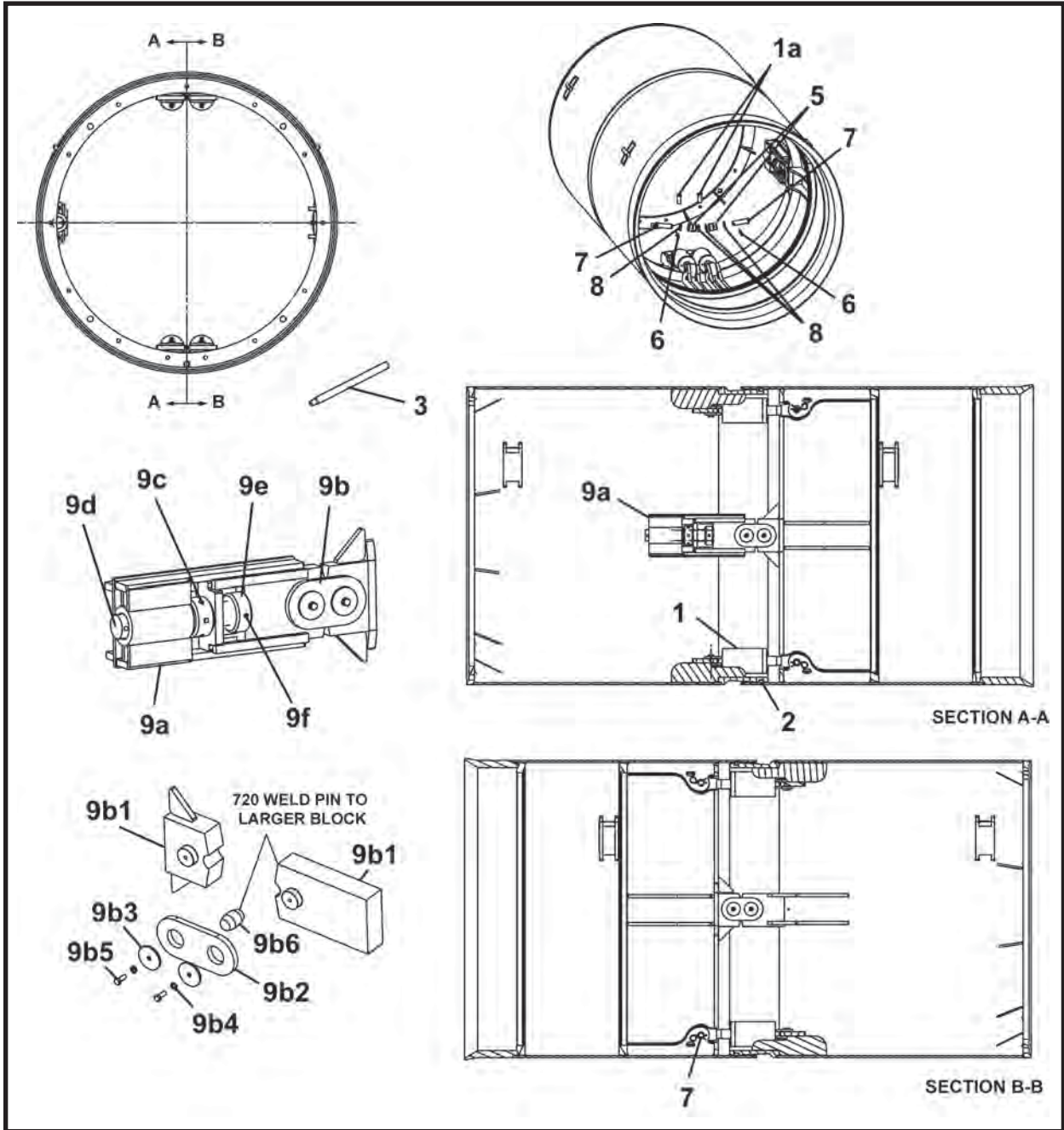


ITEM	QTY	PART NO.	DESCRIPTION
0	1	014617A00	ASSEMBLY, Hydraulic Dirt Wing (CCW Rotation)
1	2	014603A00	CYLINDER, Dirt Wing
2	1	014610P00	WING
3	1	014606A01	BAR, Thruster
4	2	P0001-07-010	BOLT, 7/16 UNC x 2.5
5	1	014618A00	WELDMENT, Bracket (CCW)
6	2	P0040-014	WASHER, Hardened Flat 7/8
7	2	P0004-14-000	NUT, 7/8 UNF
8	2	007239P00	PIN, Axle
9	6	007240P00	ROLLER
10	2	P0040-008	WASHER, Hardened Flat 1/2 UNC
11	2	P0013-08-000	NUT, Lock 1/2 UNC
12	2	P0003-07-000	NUT, 7/16 UNC
13	2	P0045-007	WASHER, Lock 7/16 UNC

NOTES

STEERING CYLINDER & LINK ASSEMBLY

600 - 660 - 720



ITEM	QTY	600 PART NO.	660 PART NO.	720 PART NO.	DESCRIPTION
0	1	019318A01	006304A00	020812A01	ASSEMBLY, Steering Cyl. & Link
1.1	4	010385A01	010385A01	020815A01	CYLINDER, Steering (With NPT Fittings)
1.2	4	020302A	020302A	020303A	CYLINDER, Steering (With ORB Fittings)
1a	1 Per Cyl.	002856P00	002856P00	002856P00	PIN
2	1	P0088-019	P0088-019	P0088-022	ORING, Steering Joint
3	1	005912P00	005912P00	005912P00	WRENCH, Steering Adjustment
4*	1	P0088-012	P0088-012	P0088-012	LUBE, Seal
5	4	007412P00	007412P00	007412P00	BUSHING
6	4	P0090-005	P0090-005	P0090-005	PIN, Hitch
7	4	005868P00	005868P00	005868P00	PIN
8	8	P0085-328	P0085-328	P0085-328	ORING

STEERING CYLINDER & LINK ASSEMBLY

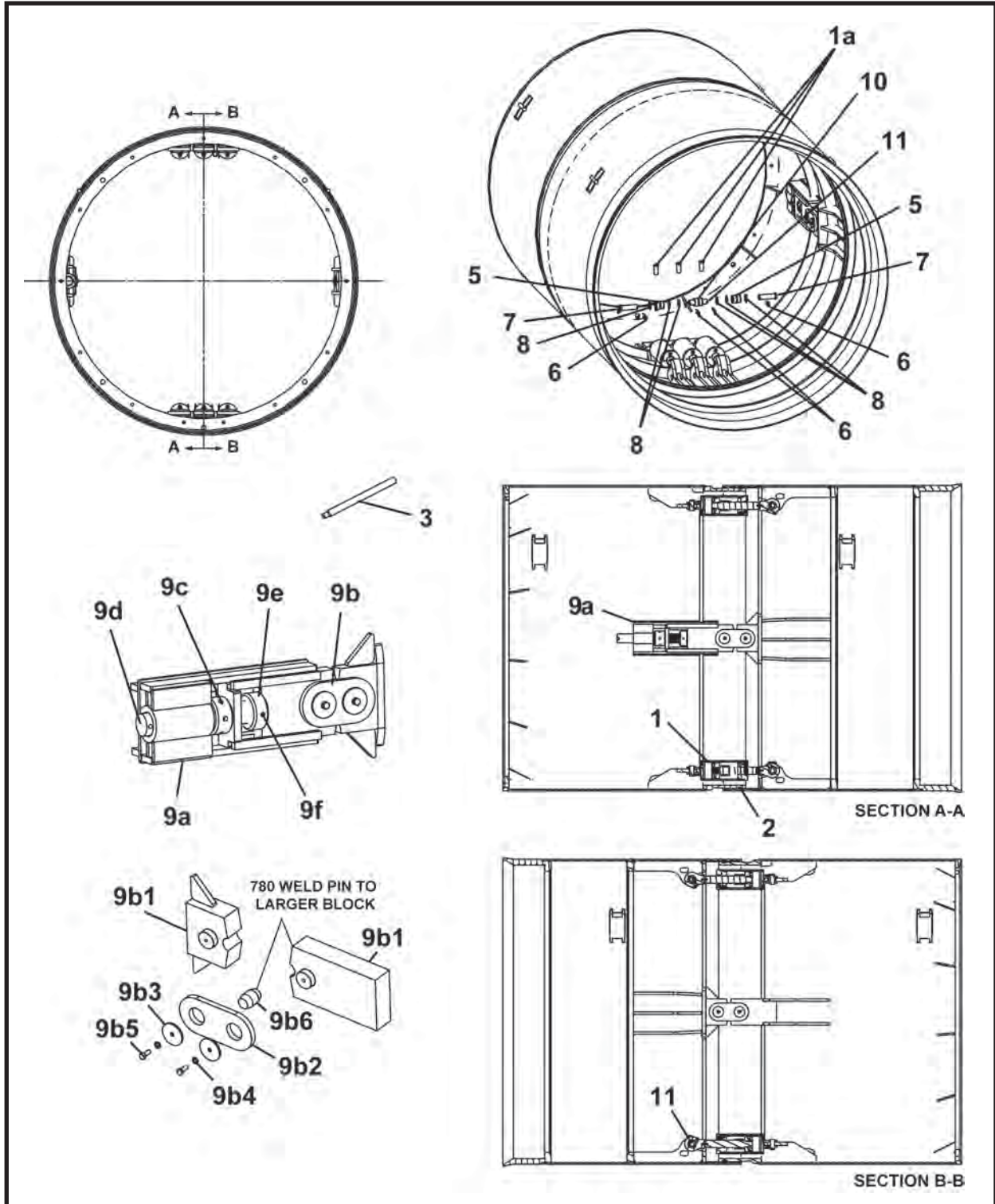
600 - 660 - 720

ITEM	QTY	600	660	720	DESCRIPTION
		PART NO.	PART NO.	PART NO.	
9	1	019384A	006450A	020888A	WELDMENT, Steering Link (Includes items 9a-9f)
9a	1	006288A00	006288A00	007910A00	BOX, Steering Link
9b	2	006303A00	006303A00	008035A00	LINK ASSEMBLY (Includes items 9b1-9b6)
9b1	1	003605P00	003605P00	008034P01	BLOCK, Link
9b2	1	005783P00	005783P00	008036P00	PLATE, Link
9b3	2	003640P00	003640P00	003640P00	WASHER, Steering Link
9b4	2	P0045-008	P0045-008	P0045-008	WASHER, Lock 1/2 UNC
9b5	2	P0001-08-005	P0001-08-005	P0001-08-005	BOLT, 1/2 UNC x 1.25
9b6	1	-	-	008033P00	PIN
9c	1	005853P01	005853P01	007908P00	NUT, Steering
9d	1	006301P00	006301P00	005852P01	SCREW, Steering Link
9e	1	006302P01	006302P01	005851P01	NUT, Steering Link
9f	1	P0033-06-014	P0033-06-014	-	SCREW, Sockt Hd Set 3/8 UNC x .875
9f	1	-	-	P0033-06-012	SCREW, Sockt Hd Set 3/8 UNC x .75

* Not Shown

STEERING CYLINDER & LINK ASSEMBLY, 025036A

780



ITEM	QTY	PART NO.	DESCRIPTION
0	1	025036A	ASSEMBLY, Steering Cylinder & Link
1.1	6	020815A01	CYLINDER, Steering (With NPT Fittings) (Includes item 1a)
1.2	6	020303A	CYLINDER, Steering (With ORB Fittings) (Includes item 1a)
1a	1 Per Cyl.	002856P00	PIN
2	1	P0088-087	ORING, Steering Joint
3	1	005912P00	WRENCH, Steering Adjustment
4*	1	P0088-012	LUBE, Seal

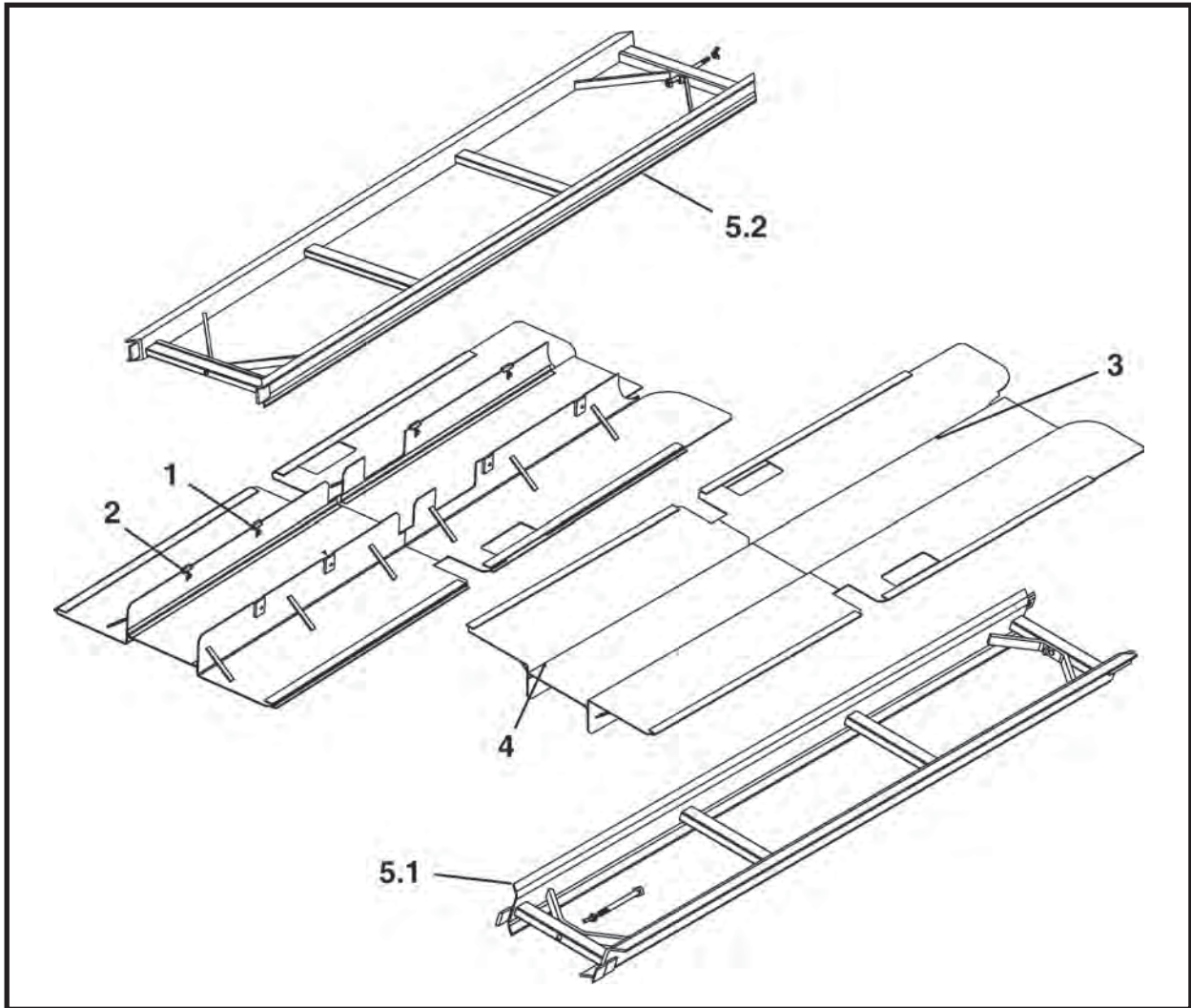
STEERING CYLINDER & LINK ASSEMBLY

780

ITEM	QTY	PART NO.	DESCRIPTION
5	4	007412P00	BUSHING
6	8	P0090-005	PIN, Hitch
7	4	005868P00	PIN
8	12	P0085-328	ORING
9	1	025124A	WELDMENT, Steering Link (Includes items 9a-9f)
9a	1	007910A00	BOX, Steering Link
9b	2	008035A00	LINK ASSEMBLY (Includes items 9b1-9b6)
9b1	1	008034P01	BLOCK, Link
9b2	1	008036P00	PLATE, Link
9b3	2	003640P00	WASHER, Steering Link
9b4	2	P0045-008	WASHER, Lock 1/2 UNC
9b5	2	P0001-08-005	BOLT, 1/2 UNC x 1.25
9b6	1	008033P00	PIN
9c	1	007908P00	NUT, Steering
9d	1	005852P01	SCREW, Steering Link
9e	1	005851P01	NUT, Steering Link
9f	1	P0033-06-012	SCREW, Sockt Hd Set 3/8 UNC x .75
10	2	025291P	BUSHING, Cylinder
11	2	007158P00	PIN

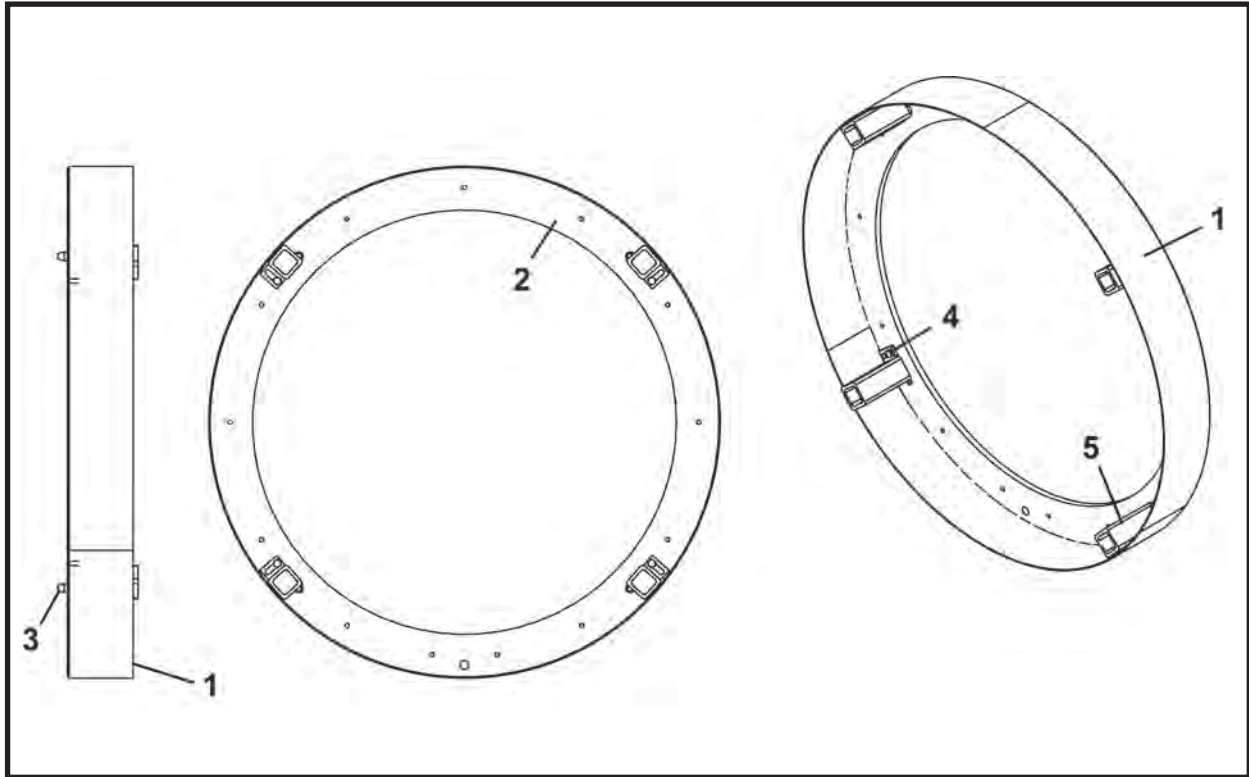
* Not Shown

FLOOR ASSEMBLY



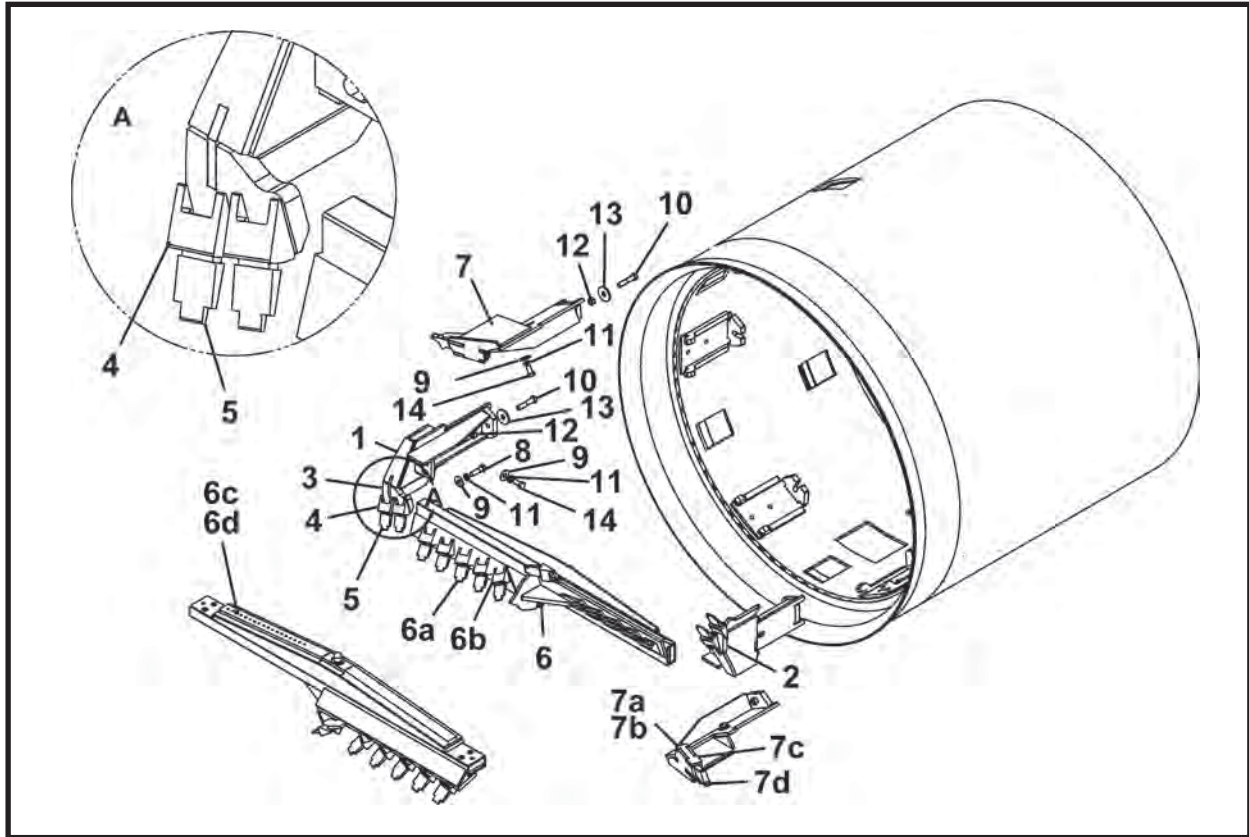
ITEM	QTY	600 PART NO.	660 PART NO.	720 PART NO.	780 PART NO.	DESCRIPTION
0	1	019372A00	027015A	026426A	025199A	ASSEMBLY, Floor
1	8	P0001-06-004	P0001-06-004	P0001-06-004	P0001-06-004	BOLT, 3/8 UNC x 1
2	8	P0045-006	P0045-006	P0045-006	P0045-006	WASHER, Lock 3/8
3	2	P0001-04-004	P0001-04-004	P0001-04-004	P0001-04-004	BOLT, 1/4 UNC x 1
4	2	P0045-004	P0045-004	P0045-004	P0045-004	WASHER, Lock 1/4 UNC
5.1	1	F14750F00	F14750F00	-	-	TRACK, 524 Z Section 8 Ft
5.2	1	-	-	F07244F00	F07244F00	TRACK, 1448 8 Ft

BELL END RING ASSEMBLY



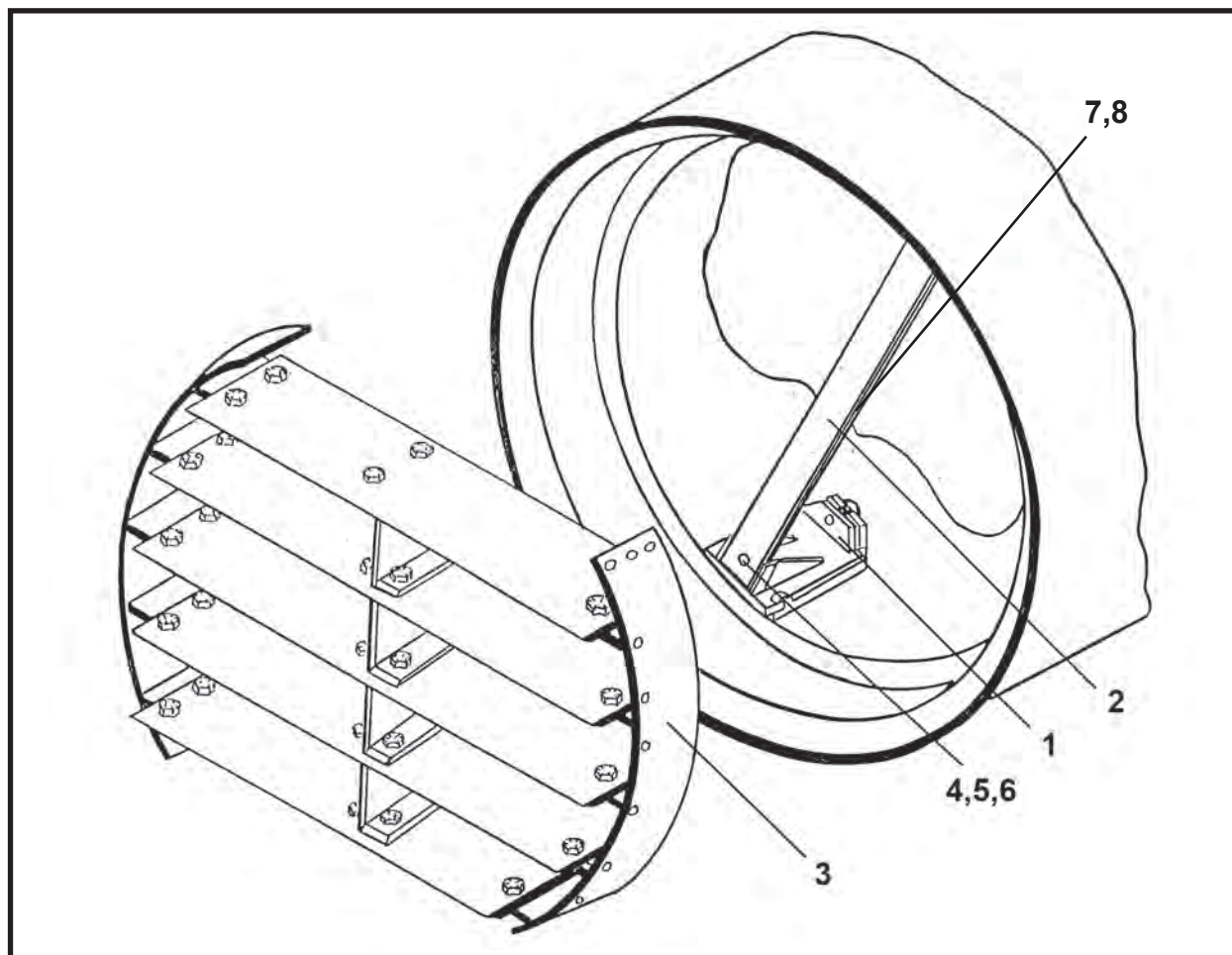
ITEM	QTY	600 PART NO.	660 PART NO.	720 PART NO.	780 PART NO.	DESCRIPTION
0	1	019386A00	027031A	020814A00	025021A	ASSEMBLY, Bell End Ring
1	1	019396P	027096P	020891P	020893P	BAND
2	1	019387P00	027033P	020881P00	025022P	RING
3	4	023792P00	023792P00	023792P00	023792P00	PIN, Locating
4	4	P0001-12-006	P0001-12-006	P0001-12-006	P0001-12-006	BOLT, Hex 3/4-10 x 1-1/2
5	4	019370A	019370A	019370A	019370A	BLOCK, Spacer

DIRT HEAD ASSEMBLY DIRT BAR



ITEM	QTY	600 PART NO.	660 PART NO.	720 PART NO.	780 PART NO.	DESCRIPTION
0	1	030304A	030321A	030324A	030327A	ASSEMBLY, Dirt Head
1	2	030315A	030315A	030315A	030315A	CUTTER, Outside
2	1	030317P	030322P	030325P	030325P	MOUNT, Tooth - RH
3	1	030318P	030323P	030326P	030326P	MOUNT, Tooth - LH
4	4	P0051-001	P0051-001	P0051-001	P0051-001	POCKET, Tooth
5	4	P0050-001	P0050-001	P0050-001	P0050-001	TEETH, Cutter
6	1	003999A01	004457A01	007074A00	009247A00	BAR, Cutter (Inc. items 6a - 6d)
6a	11/13/14/16	P0050-001	P0050-001	P0050-001	P0050-001	TOOTH, Cutter
6b	11/13/14/16	P0051-001	P0051-001	P0051-001	P0051-001	POCKET, Tooth
6c	1	P0001-05-003	P0001-05-003	P0001-05-003	P0001-05-003	BOLT, Target 5/16 UNC x .75
6d	1	P0003-05-000	P0003-05-000	P0003-05-000	P0003-05-000	NUT, 5/16
7	2	004742A00	004742A00	004742A00	004742A00	PLATE, Cutter Adjust.(Inc. items 7a - 7d)
7a	1	P0034-12-014	P0034-12-014	P0034-12-014	P0034-12-014	BOLT, Square Head 3/4 x 3.5
7b	1	P0007-12-000	P0007-12-000	P0007-12-000	P0007-12-000	NUT, Jam
7c	1	P0001-08-004	P0001-08-004	P0001-08-004	P0001-08-004	BOLT, 1/2 UNC x 1
7d.1	1	004750P01	004750P01	004750P01	004750P01	TOOTH, Overcut (Standard) 8.25"
7d.2	1	004750P02	004750P02	004750P02	004750P02	TOOTH, Overcut (Long) 9.25"
7d.3	1	004750P03	004750P03	004750P03	004750P03	TOOTH, Overcut (Extra Long) 10.25"
8	4	P0001-12-010	P0001-12-010	P0001-12-010	P0001-12-010	BOLT, 3/4 UNC x 2.5
9	8	P0040-012	P0040-012	P0040-012	P0040-012	WASHER, Hardened Flat 3/4
10	4	P0001-12-014	P0001-12-014	P0001-12-014	P0001-12-014	BOLT, 3/4 UNC x 3.5
11	8	P0045-012	P0045-012	P0045-012	P0045-012	WASHER, Lock 3/4
12	4	P0003-12-000	P0003-12-000	P0003-12-000	P0003-12-000	NUT, 3/4
13	4	004124P01	004124P01	004124P01	004124P01	WASHER
14	4	P0001-12-006	P0001-12-006	P0001-12-006	P0001-12-006	BOLT, 3/4 UNC x 1.5

SAND HEAD ASSEMBLY

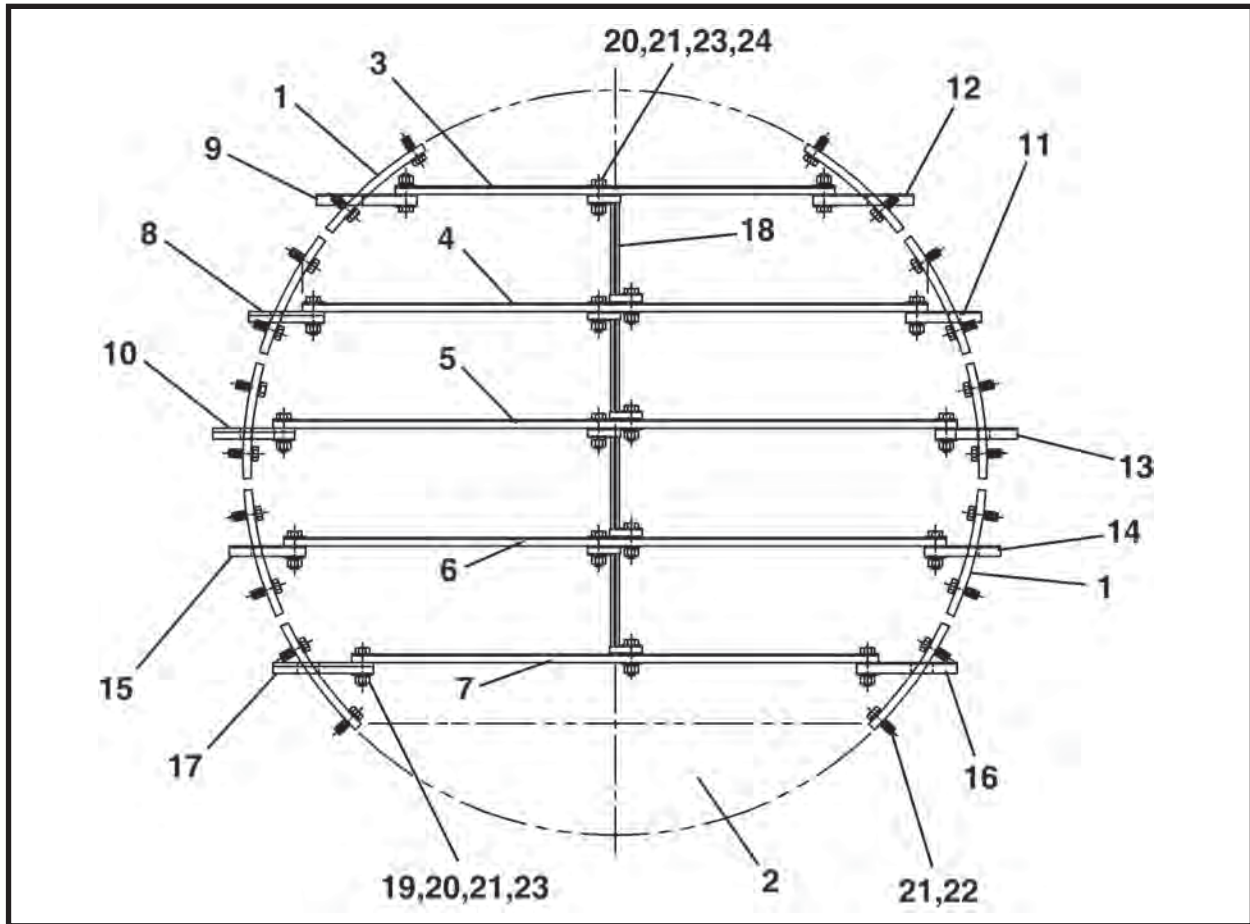


ITEM	QTY	600 PART NO.	660 PART NO.	720 PART NO.	780 PART NO.	DESCRIPTION
0	1	004838A00	004892A00	007082A00	009350A00	ASSEMBLY, Sand Head
1	2	004644A01	004644A01	004644A01	004644A01	PLATE, Cutter
2	1	004789A00	004464A00	007080A00	009351A00	BAR, Sand
3*	1	004769A02	004440A02	007075A01	009352A01	ASSEMBLY, Sand Shelf
4	2	P0001-12-006	P0001-12-006	P0001-12-006	P0001-12-006	BOLT, 3/4 UNC x 1.5
5	2	P0040-012	P0040-012	P0040-012	P0040-012	WASHER, Flat 3/4
6	2	P0045-012	P0045-012	P0045-012	P0045-012	WASHER, Lock 3/4
7	1	P0001-05-003	P0001-05-003	P0001-05-003	P0001-05-003	BOLT, Target 5/16 UNC x .75
8	1	P0003-05-000	P0003-05-000	P0003-05-000	P0003-05-000	NUT, 5/16

* Refer to this section for parts information.

SAND SHELF ASSEMBLY

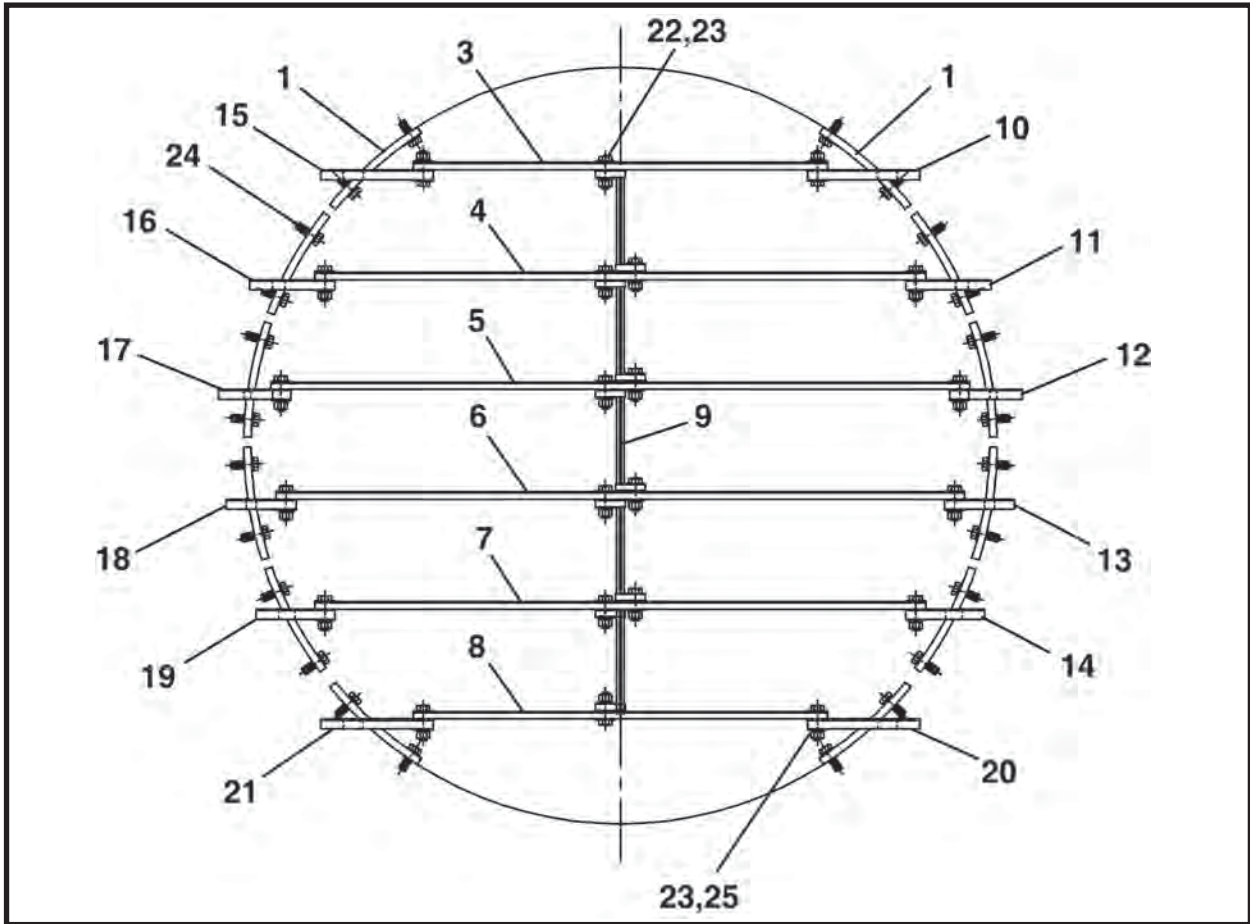
600 - 660



ITEM	QTY	600 PART NO.	660 PART NO.	DESCRIPTION
0	1	004769A02	004440A02	ASSEMBLY, Sand Head
1	2	005111P01	004431P01	BAR, Curved Mounting
2	-	-	-	-
3	1	005112P00	007129P00	SHELF, Sand
4	1	005113P00	007130P00	SHELF, Sand
5	1	005114P00	007131P00	SHELF, Sand
6	1	005115P00	007132P00	SHELF, Sand
7	1	005116P00	007130P00	SHELF, Sand
8	1	004947P00	005383P00	SHELF, End
9	1	004943P00	007128P00	SHELF, End
10	1	004945P00	005443P00	SHELF, End
11	1	004948P00	005382P00	SHELF, End
12	1	004944P00	007127P00	SHELF, End
13	1	004946P00	005440P00	SHELF, End
14	1	004948P00	004948P00	SHELF, End
15	1	004947P00	004947P00	SHELF, End
16	1	004944P00	005441P00	SHELF, End
17	1	004943P00	005444P00	SHELF, End
18	4	005117A00	005118A00	BRACKET, Z
19	36/20	P0001-12-011	P0001-12-011	BOLT, 3/4-10 UNC x 2-3/4
20	36	P0003-12-000	P0003-12-000	NUT, 3/4-10
21	76	P0045-012	P0045-012	WASHER, Lock 3/4
22	40	P0001-12-008	P0001-12-008	BOLT, 3/4-10 UNC x 2
23	36	P0040-012	P0040-012	WASHER, Flat 3/4
24	16	P0001-12-010	P0001-12-010	BOLT, 3/4-10 UNC x 2-1/2

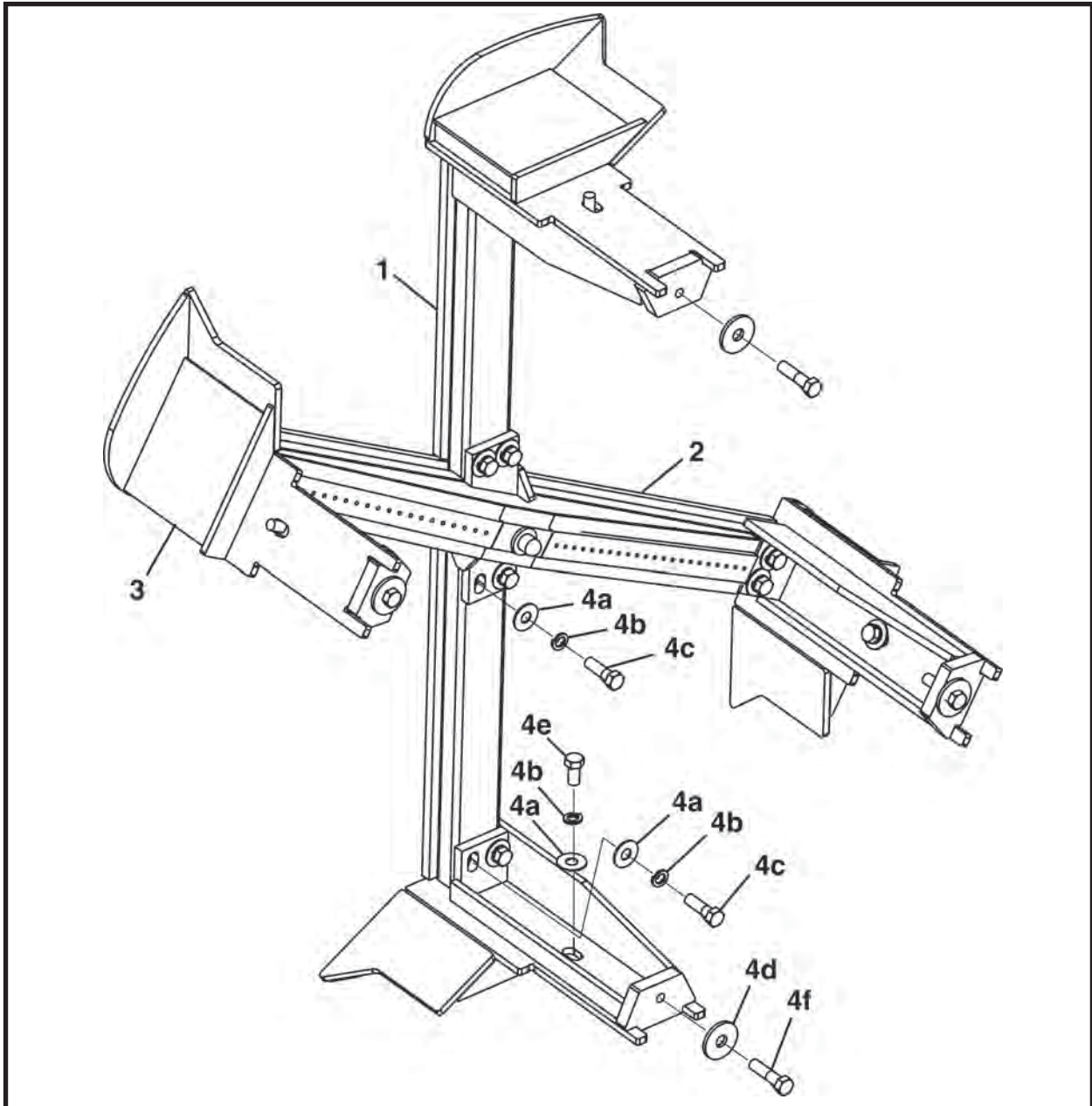
SAND SHELF ASSEMBLY

720 - 780



ITEM	QTY	720 PART NO.	780 PART NO.	DESCRIPTION
0	1	007075A01	009352A01	ASSEMBLY, Sand Head
1	2	007067P01	009383P00	BAR, Curved Mounting
2	-	-	-	-
3	1	007068P00	009377P00	SHELF, Sand
4	1	007069P00	009378P00	SHELF, Sand
5	1	007070P00	009379P00	SHELF, Sand
6	1	007071P00	009380P00	SHELF, Sand
7	1	007072P00	009381P00	SHELF, Sand
8	1	007073A01	009382P00	SHELF, Sand
9	5	005118A00	005118A00	BRACKET, Z
10	1	007065P00	009365P00	SHELF, End
11	1	005373P00	009368P00	SHELF, End
12	1	004948P00	009369P00	SHELF, End
13	1	005440P00	009371P00	SHELF, End
14	1	005377P00	009373P00	SHELF, End
15	1	007066P00	009366P00	SHELF, End
16	1	005374P00	009367P00	SHELF, End
17	1	004947P00	009370P00	SHELF, End
18	1	005443P00	009372P00	SHELF, End
19	1	005378P00	009374P00	SHELF, End
20	1	005439P00	009376P00	SHELF, End
21	1	005442P00	009375P00	SHELF, End
22	20	P0001-12-010	P0001-12-010	BOLT, 3/4 UNC x 2.5
23	44	P0003-12-000	P0003-12-000	NUT, 3/4-10
24	48	P0001-12-008	P0001-12-008	BOLT, 3/4-10 UNC x 2
25	24	P0001-12-011	P0001-12-011	BOLT, 3/4-10 UNC x 2.75

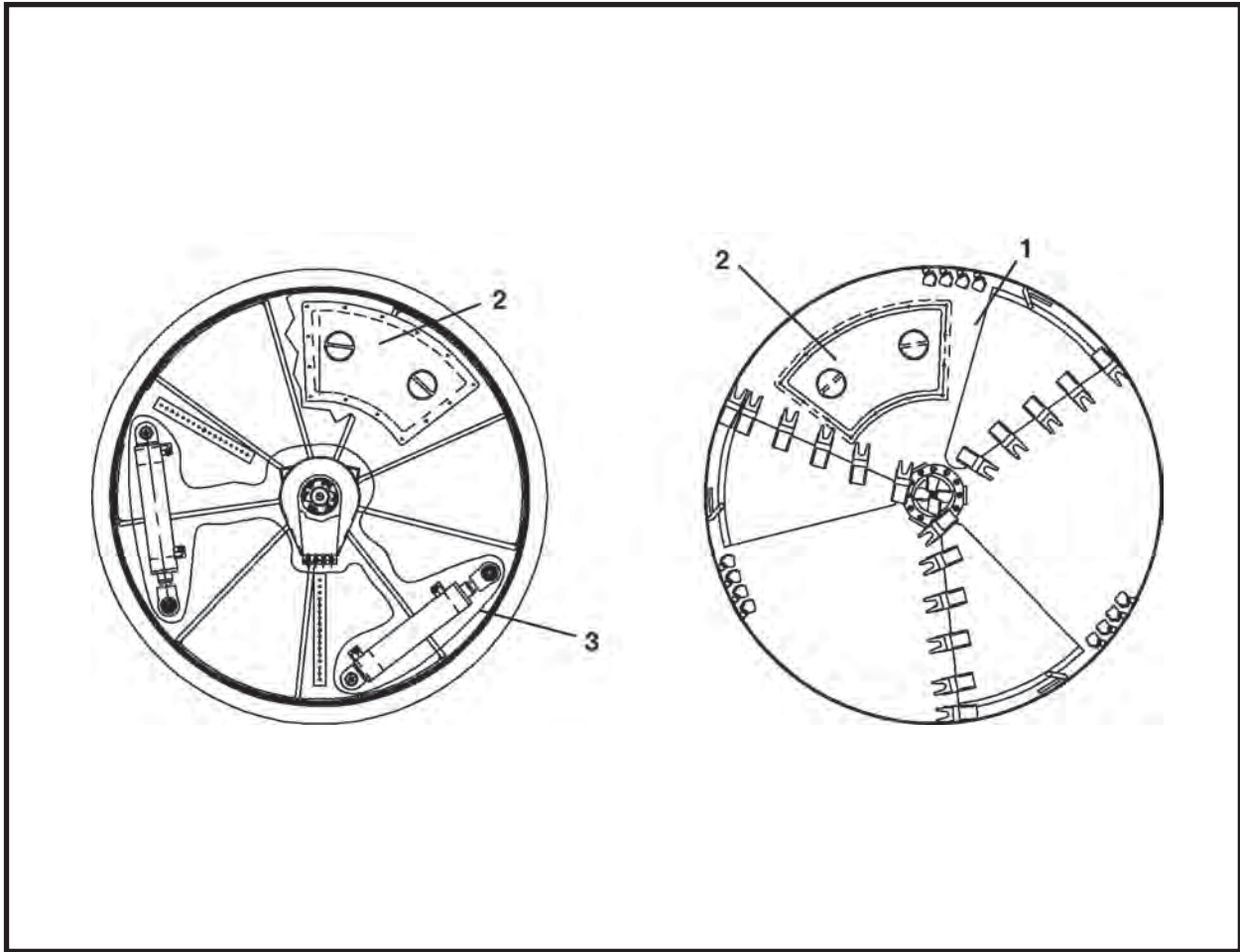
QUAD BAR ASSEMBLY



ITEM	QTY	600 PART NO.	660 PART NO.	720 PART NO.	780 PART NO.	DESCRIPTION
0	1	026115A	026940A	026930A	025075A	ASSEMBLY, Quad Bar
1	2	026116A	026936A	026923A	025076A	WELDMENT, Short Bar
2	1	026117A	026935A	026924A	025077A	WELDMENT, Long Bar
3	4	005539A01	005539A01	005539A01	005539A01	ASSEMBLY, Cutter
4	1	026150A	026150A	026150A	026150A	KIT, Hardware (Incl. items 4a-4f)
4a	16	P0040-012	P0040-012	P0040-012	P0040-012	WASHER, Flat 3/4
4b	16	P0045-012	P0045-012	P0045-012	P0045-012	WASHER, Lock 3/4
4c	12	P0001-12-010	P0001-12-010	P0001-12-010	P0001-12-010	BOLT, 3/4-10 UNC x 2.5
4d	4	004124P01	004124P01	004124P01	004124P01	WASHER
4e	4	P0001-12-006	P0001-12-006	P0001-12-006	P0001-12-006	BOLT, 3/4-10 UNC x 1.5
4f	4	P0001-12-012	P0001-12-012	P0001-12-012	P0001-12-012	BOLT, 3/4-10 UNC x 3
5*	70/68/74/83	P0051-004	P0051-004	P0051-004	P0051-004	HOLDER, Tooth
6*	70/68/74/83	P0050-011	P0050-011	P0050-011	P0050-011	TOOTH, Carbide

* Not Shown

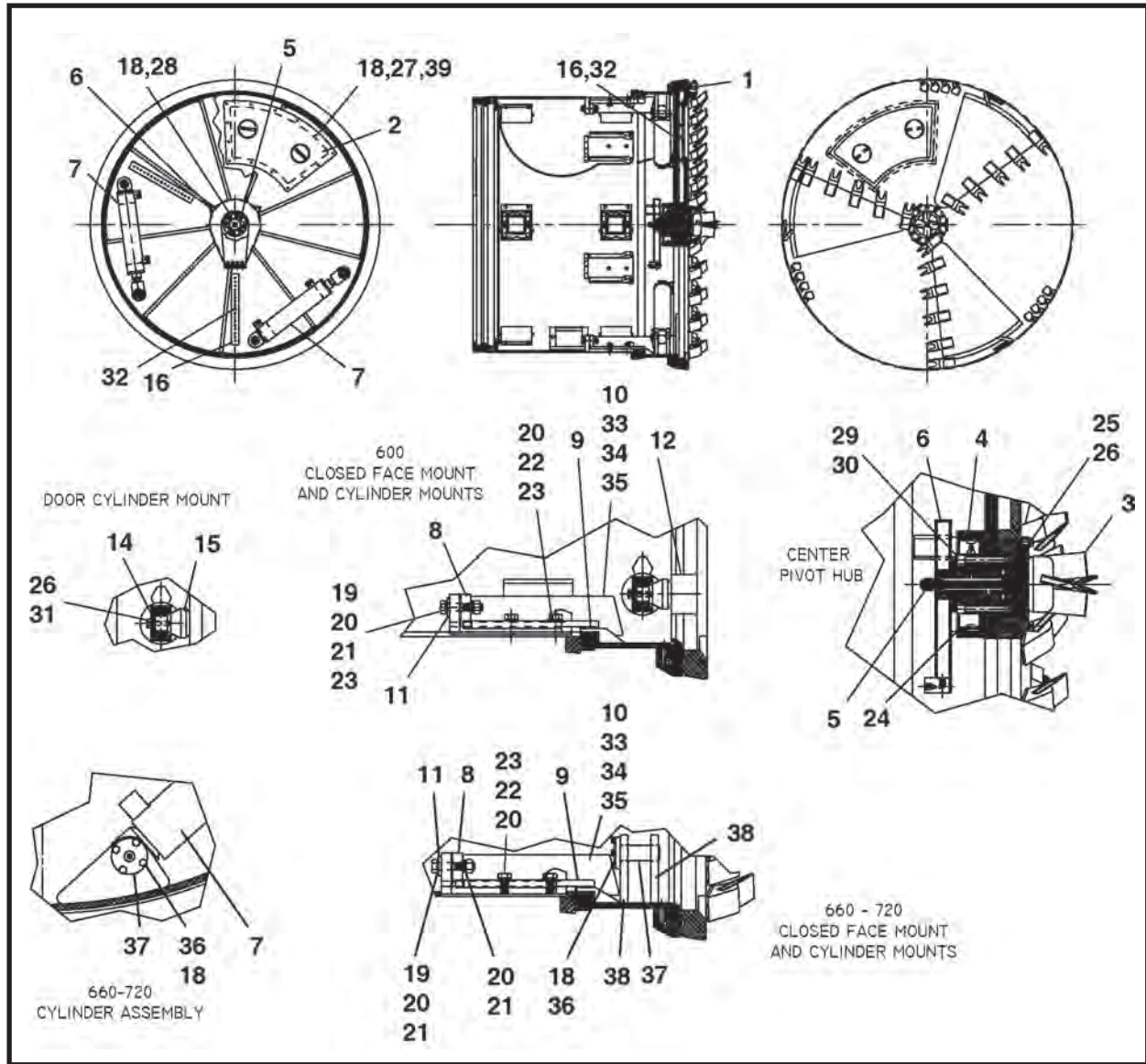
CLOSED FACE ASSEMBLY
600 - 660 - 720 CLOSED FACE (OLD STYLE)



ITEM	QTY	600 PART NO.	660 PART NO.	720 PART NO.	DESCRIPTION
0	1	019300A01	018650A00	020915A00	ASSEMBLY, Closed Face
1	1	019301A01	018651A00	020916A00	ASSEMBLY, Mounting & Weldment
2	1	019313A00	018661A00	020921A00	DOOR, Obstruction Removal
3*	1	019315A00	026912A	026912A	CONTROL, Closed Face

* Refer to Section 6, Hydraulics, for parts information.

CLOSED FACE MOUNTING & WELDMENT ASSEMBLY
600 - 660 - 720 CLOSED FACE (OLD STYLE)



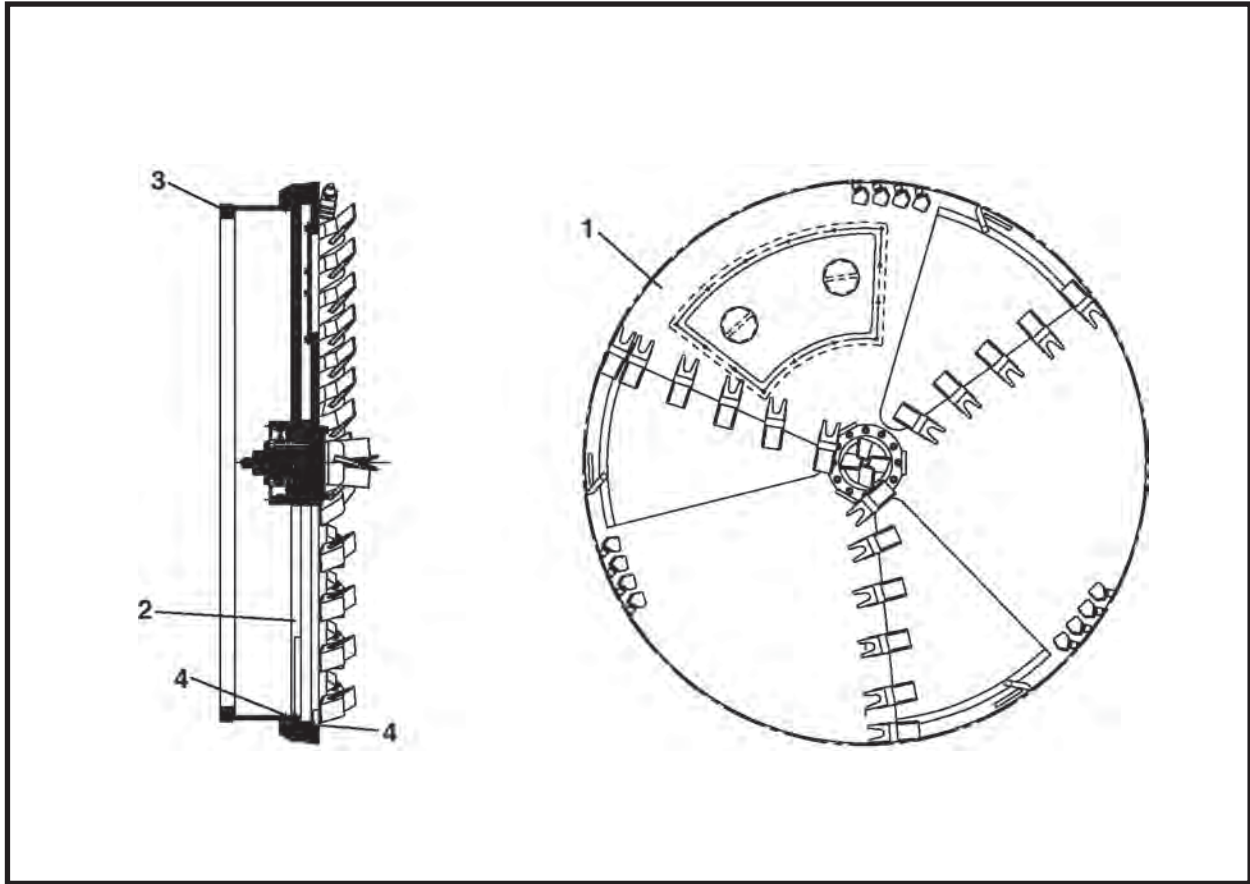
ITEM	QTY	600 PART NO.	660 PART NO.	720 PART NO.	DESCRIPTION
0	1	019301A01	018651A00	020916A00	ASSEMBLY, Closed Face Mount & Weldmt
1	1	019302A00	018652A00	020917A00	ASSEMBLY, CF Weldment (Includes item 1a)
1a*	2	P0085-S14	P0085-S14	P0085-S14	ORING
2	REF	019313A00	018661A00	020921A00	DOOR, Obstruction Removal
3	REF	018665A00	018665A00	018665A00	BASE, Front Center Tooth Mounting
4	1	018656A00	018656A00	018656A00	GUARD, Rotary Hub (Includes item 4a-4b)
4a	2	P0063-001	P0063-001	P0063-001	FITTING, Grease
4b	6	P0030-06-004	P0030-06-004	P0030-06-004	SCREW, Flat Head Cap
5	1	018700A00	018700A00	018700A00	ASSEMBLY, Rotary Hub
6	1	018671A00	018671A00	018671A00	GUARD, Conveyor & Rotary (Includes items 6a-6b)
6a	4	P0001-05-004	P0001-05-004	P0001-05-004	BOLT, Hex 5/16 UNC x 1
6b	4	P0045-005	P0045-005	P0045-005	WASHER, Lock 5/16
7	2	019306A00	018658A00	020906A00	CYLINDER ASSEMBLY
8	3	004671P00	004671P00	004671P00	PLATE, Mounting
9	3	015027P00	015027P00	015027P00	PLATE, Mounting
10	6/8/6	015028P00	015028P00	015028P00	PLATE, Mounting

CLOSED FACE MOUNTING & WELDMENT ASSEMBLY
600 - 660 - 720 CLOSED FACE (OLD STYLE)

ITEM	QTY	600 PART NO.	660 PART NO.	720 PART NO.	DESCRIPTION
11	3/4/3	004124P01	004124P01	004124P01	WASHER
12	2	019464P00	-	-	RISER
13*	2	023514P00	-	-	BAR, Level
14	4/2/3	018718P00	018718P00	018718P00	WASHER
15	4/2/3	018717P01	018717P01	018717P01	PIN
16	2/3/2	014215P00	014215P00	014215P00	BAR, Target
17*	3	023515P00	-	-	PADDLE, Dirt
18	18/26/33	P0045-006	P0045-006	P0045-006	WASHER, Lock 3/8
19	3/4/3	P0001-12-014	P0001-12-014	P0001-12-014	BOLT, 3/4-10 UNC x 3-1/2
20	16/16/12	P0045-012	P0045-012	P0045-012	WASHER, Lock 3/4
21	4/4/3	P0003-12-000	P0003-12-000	P0003-12-000	NUT, 3/4
22	4/8 /6	P0001-12-006	P0001-12-006	P0001-12-006	BOLT, 3/4-10 UNC x 1-1/2
23	8/8/6	P0040-012	P0040-012	P0040-012	WASHER, Flat 3/4
24	6	P0030-06-004	P0030-06-004	P0030-06-004	SCREW, Flat Head Cap 3/8-16 x 1
25	12	P0001-08-008	P0001-08-008	P0001-08-008	BOLT, 1/2-13 x 2
26	16/12/15	P0045-008	P0045-008	P0045-008	WASHER, Lock 1/2
27	14/14/17	P0001-06-006	P0001-06-006	P0001-06-006	BOLT, 3/8-16 UNC x 1-1/2
28	4	P0001-06-003	P0001-06-003	P0001-06-003	BOLT, 3/8-16 UNC x 3/4
29	6	P0031-08-024	P0031-08-024	P0031-08-024	SCREW, Socket Head Cap 1/2-13 x 6
30	6	P0046-008	P0046-008	P0046-008	WASHER, Lock 1/2 Hi Collar
31	4/2/2	P0001-08-006	P0001-08-006	P0001-08-006	BOLT, 1/2-13 x 1-1/2
32	2/0/2	P0001-05-003	-	P0001-05-003	BOLT, 5/16-18 UNC x 3/4
33	8	026909P	026909P	026909P	PLATE-CLOSE OFF
34	8	026907P	026907P	026907P	PLATE-CLOSE OFF
35	4	026137P	026137P	026137P	PLATE-CLOSE OFF
36	0/8/12	-	P0001-06-005	P0001-06-005	BOLT, 3/8-16 UNC x 1-1/4
37	0/2/3	-	014490P00	014490P00	PIN, Closed Face
38	0/4/6	-	018716P00	018716P00	PLATE
39	0/0/2	-	-	P0040-006	WASHER, Flat 3/8

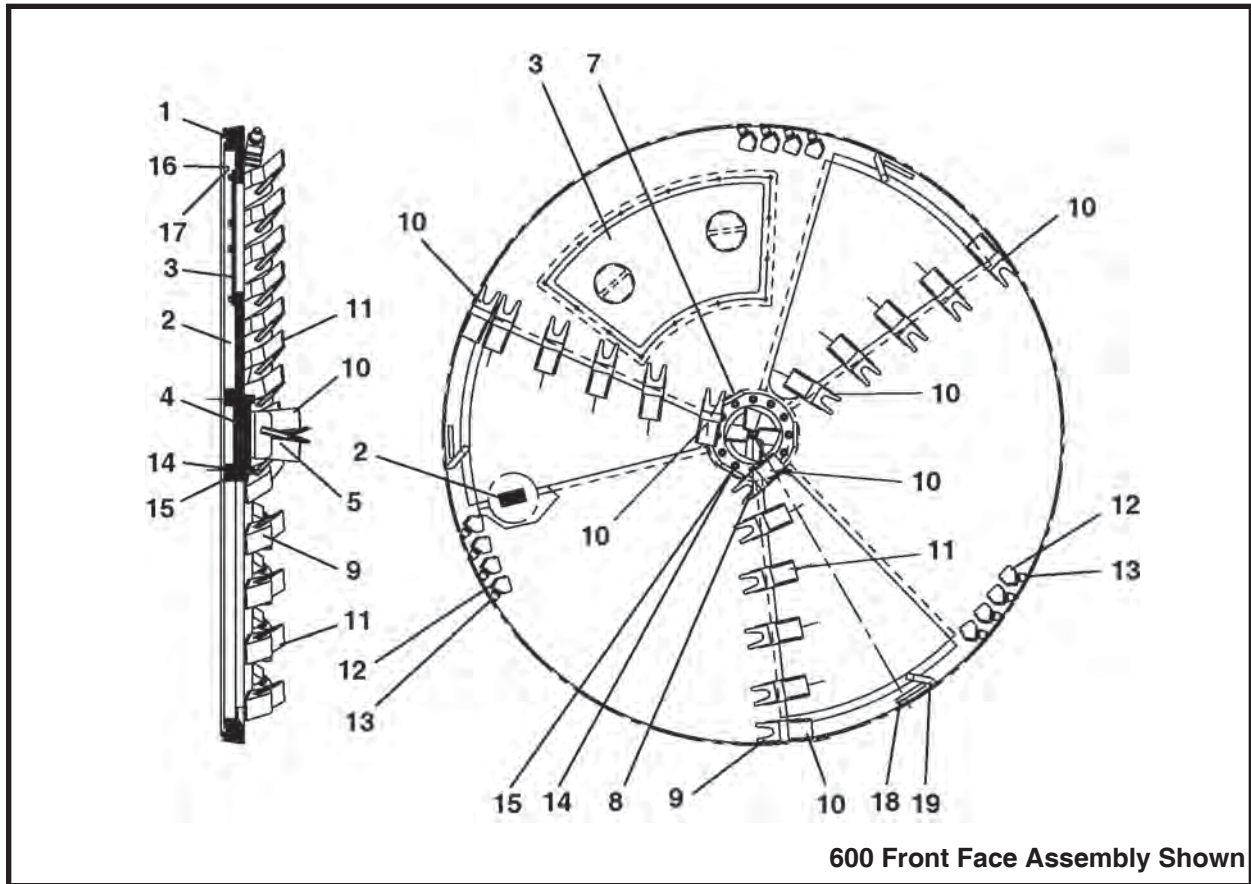
* Not Shown

CLOSED FACE WELDMENT ASSEMBLY
600 - 660 - 720 CLOSED FACE (OLD STYLE)



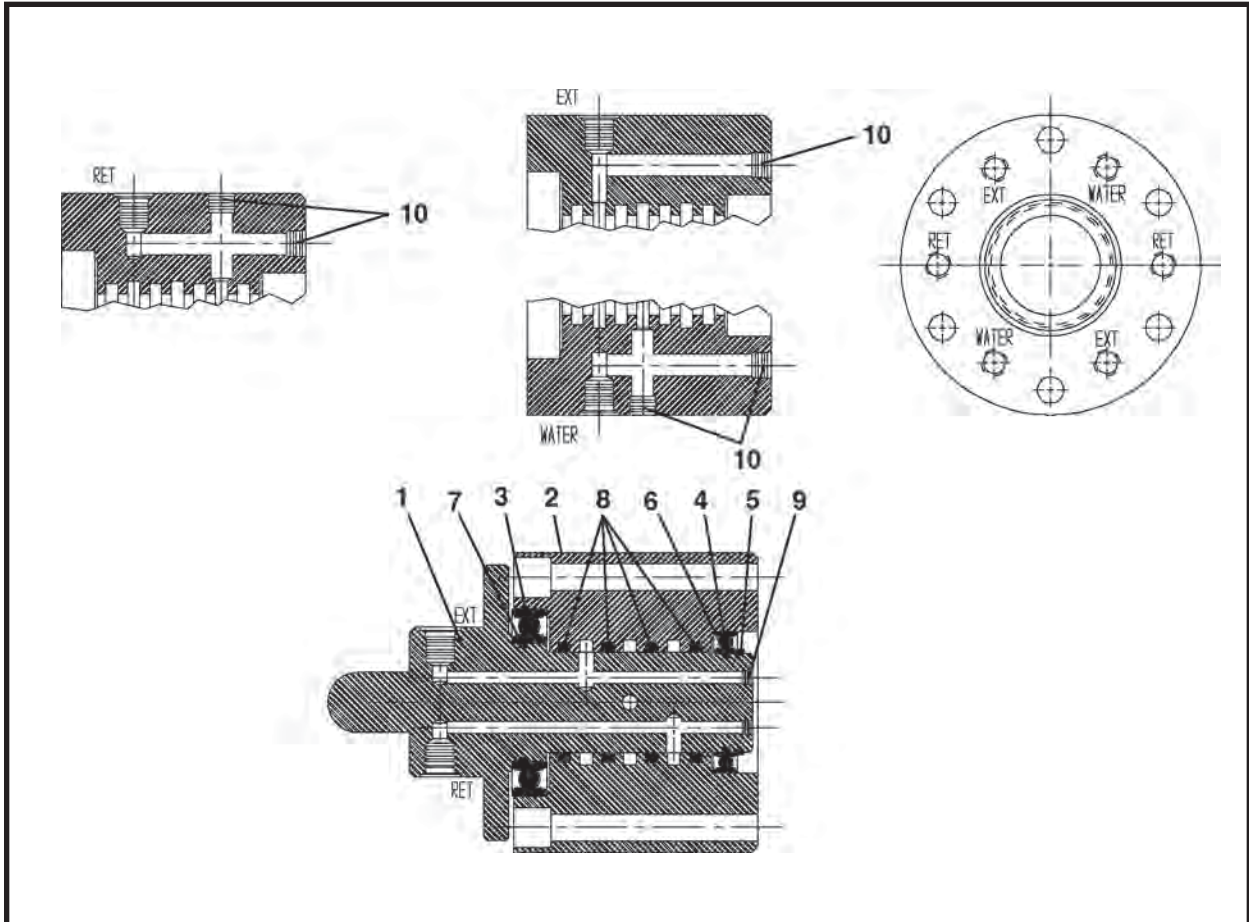
ITEM	QTY	600		660		720		DESCRIPTION
		PART NO.	PART NO.	PART NO.	PART NO.	PART NO.	PART NO.	
0	1	019302A00	018652A00	020917A00				WELDMENT, Closed Face Assembly
1	1	019303A00	018654A00	020919A00				FRONT FACE ASSEMBLY
2	1	019305A00	018653A00	020918A00				WELDMENT, Rotary Door
3	1	019304A00	018655A00	020920A00				MOUNT, Back
4	2	P0085-S14	P0085-S14	P0085-S14				ORING

FRONT FACE ASSEMBLY
600 - 660 - 720 CLOSED FACE (OLD STYLE)



ITEM	QTY	600 PART NO.	660 PART NO.	720 PART NO.	DESCRIPTION
0	1	019303A00	018654A00	020919A00	FRONT FACE ASSEMBLY
1	-	-	-	-	-
2	-	-	-	-	-
3	-	-	-	-	-
4	1	018665A00	018665A00	018665A00	MOUNTING BASE, Ft Ctr Tooth (Includes item 5)
5	REF	018733P00	018733P00	018733P00	BASE, Center Tooth
6	-	-	-	-	-
7	-	-	-	-	-
8	1	P0051-013	P0051-013	-	POCKET, Side Mount
9	16/17/20	P0051-011	P0051-011	P0051-011	POCKET, Bottom Mount
10	10/9/9	P0050-030	P0050-030	P0050-030	TOOTH, Round Carbide
11	11/13/15	P0050-026	P0050-026	P0050-026	TOOTH, Dirt
12	12	P0051-004	P0051-004	P0051-004	HOLDER
13	12	P0050-011	P0050-011	P0050-011	TOOTH, Carbide
14	12	P0001-08-008	P0001-08-008	P0001-08-008	BOLT, 1/2 UNC x 2
15	12	P0045-008	P0045-008	P0045-008	WASHER, Lock 1/2
16	REF	P0001-06-006	P0001-06-006	P0001-06-006	BOLT, 3/8 UNC x 1-1/2
17	REF	P0045-006	P0045-006	P0045-006	WASHER, Lock 3/8
18	-	-	-	-	-
19	-	-	-	-	-

ROTARY HUB ASSEMBLY, 018700A00
600 - 660 - 720 CLOSED FACE (OLD STYLE)



ITEM	QTY	PART NO.	DESCRIPTION
0*	1	018700A00	ASSEMBLY, Rotary Hub
1	-	-	-
2	-	-	HUB
3	1	P0065-106	BEARING
4	1	P0065-013	BEARING
5	1	P0077-029	RING, Snap
6	1	P0085-132	ORING
7	1	P0085-139	ORING
8	4	P0080-019	SEAL, Quad
9	1	P0300-144	PLUG, 1/8
10	10	P0300-026	PLUG, 1/4

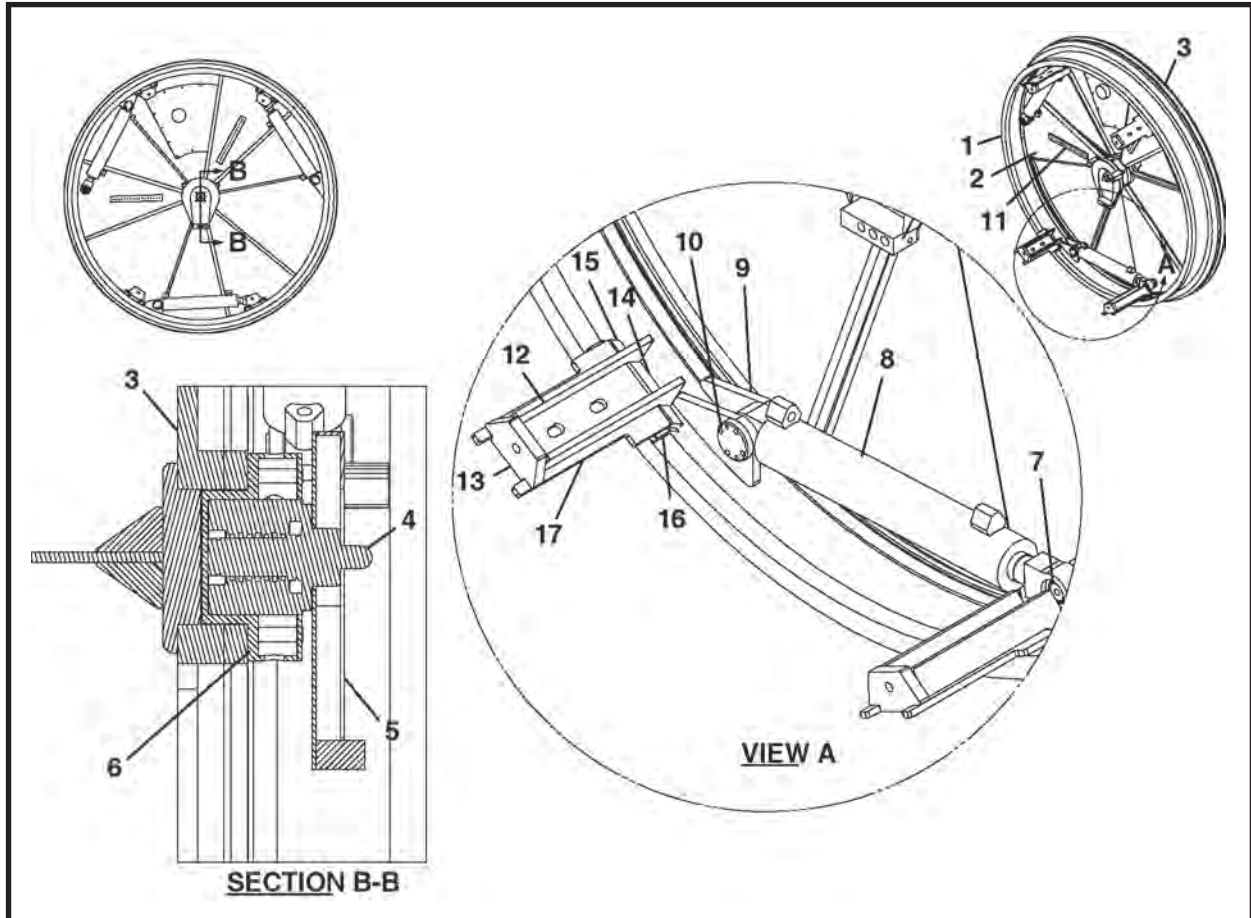
* The complete Rotary Hub Assembly, 018700A00 is no longer available. For complete replacement, use 027562A, Rotary Hub Assembly (refer to Rotary Hub Assembly, 027562A later in this section).

NOTE: When replacing parts:

1. Pack bearings with grease before pressing into item 2.
2. Lubricate seals and shaft before assembly in item 2.
3. After shaft is in place, slide item 6 on shaft.
4. Press item 4 into housing after shaft is in place.
5. Pressure test all ports of hub to 3,000 psi.

NOTES

CLOSED FACE ASSEMBLY, 026690A00
780 CLOSED FACE (OLD STYLE)



ITEM	QTY	PART NO.	DESCRIPTION
0	1	026690A00	ASSEMBLY, Closed Face, 780
1	1	026691A	WELDMENT, Back Mount
2	1	026905A	WELDMENT, Door Plate
3	1	026695A	WELDMENT, Front Face Assembly
4	1	018700A00	HUB, Rotary
5	1	018671A00	GUARD, Conveyor Hub (Includes items 5a-5b)
5a	4	P0001-05-004	BOLT, Hex 5/16 UNC x 1
5b	4	P0045-005	WASHER, Lock 5/16
6	1	018703P00	GUARD, Rotary Hub
7	3	018717P01	ROD
8*	3	020906A00	CYLINDER ASSEMBLY
9	3	018736P00	PIN
10	-	-	-
11	2	014215P00	BAR, Target
12	8	026906P	PLATE, Mounting
13	4	004671P00	LUG, Adjustable Outside Cutting
14	4	026137P	PLATE
15	8	026907P	PLATE
16	8	026909P	PLATE
17	4	015027P00	PLATE, Mounting

CLOSED FACE ASSEMBLY, 026690A00
780 CLOSED FACE (OLD STYLE)

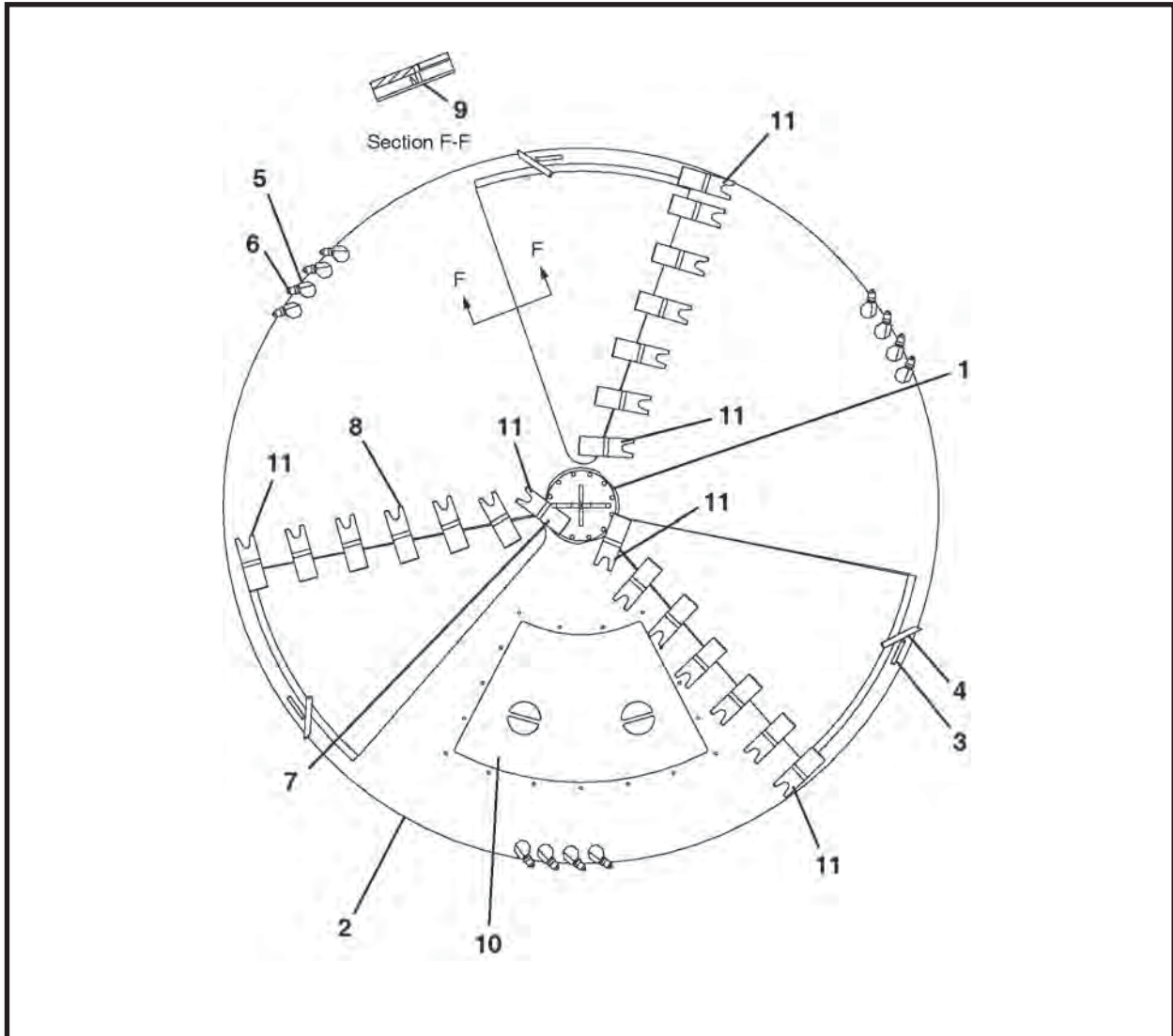
ITEM	QTY	PART NO.	DESCRIPTION
18***	1	026911A	KIT, Hardware (18a-18q)
18a	12	P0001-06-005	BOLT, 3/8-16 UNC x 1.25
18b	33	P0045-006	WASHER, Lock 3/8
18c	3	P0001-12-014	BOLT, 3/4-10 UNC x 3.5
18d	12	P0045-012	WASHER, Lock 3/4
18e	3	P0003-12-000	NUT, 3/4
18f	6	P0001-12-006	BOLT, 3/4-10 UNC x 1.5
18g	6	P0040-012	3/4 FLATWASHER
18h	6	P0030-06-004	SCREW, Flat Head Cap 3/8 x 1
18i	12	P0001-08-008	BOLT, 1/2-13 UNC x 2
18j	15	P0045-008	WASHER, Lock 1/2
18k	17	P0001-06-006	BOLT, 3/8-16 UNC x 1.5
18l	4	P0001-06-003	BOLT, 3/8-16 UNC x .75
18m	6	P0031-08-024	SCREW, Socket Head Cap 1/2-13 UNC x 6
18n	6	P0046-008	WASHER, Lock, Hi Collar 1/2
18o	2	P0001-08-006	BOLT, 1/2-13 UNC x 1.5
18p	2	P0001-05-003	BOLT, 5/16-18 UNC x .75
18q	17	P0040-006	WASHER, Flat 3/8
19**	1	026912A	ASSEMBLY, Closed Face Control
20***	6	025646P	PLATE, Cleanout

* Refer to Section 10, Cylinders, Cylinder Assembly, 020906A00 for parts information.

** Refer to Section 6, Hydraulics, Closed Face Control Assembly, 026912A for parts information.

*** Not Shown

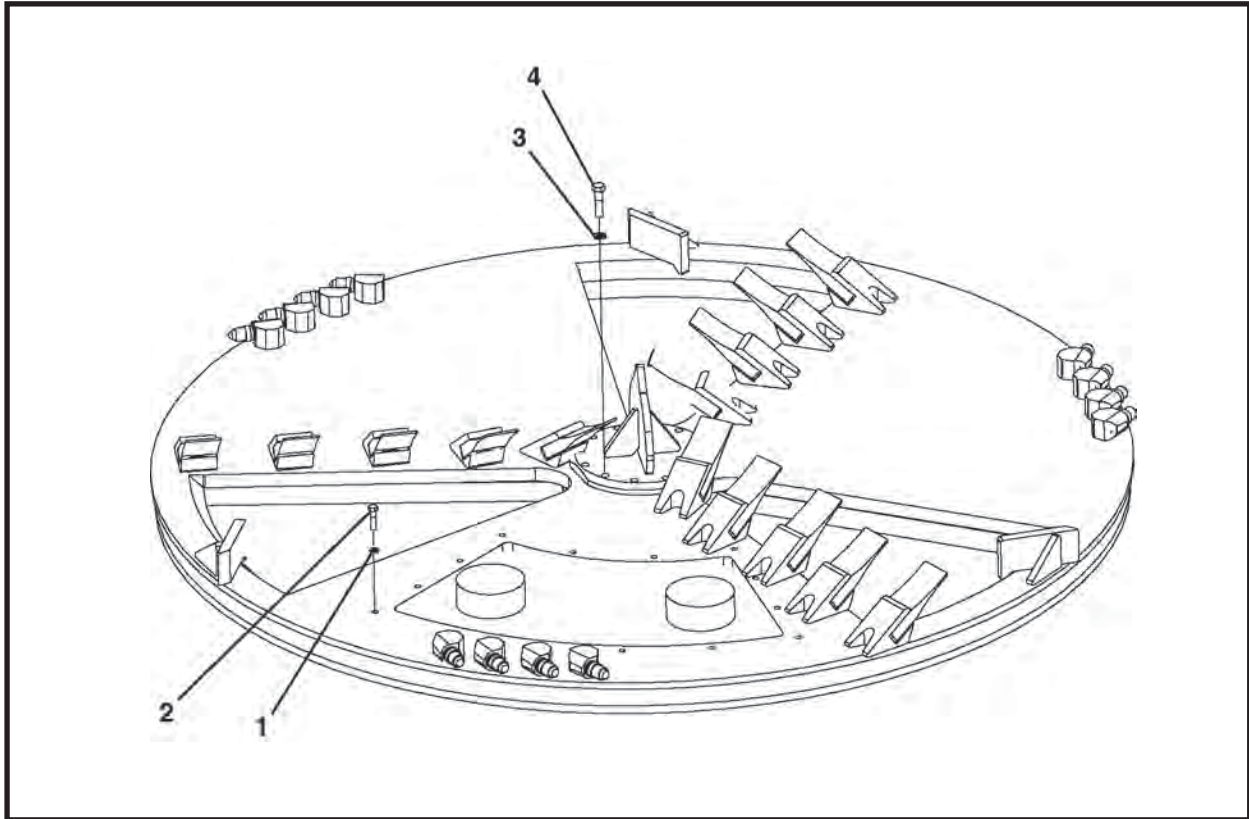
FRONT FACE WELDMENT ASSEMBLY, 026695A
780 CLOSED FACE (OLD STYLE)



ITEM	QTY	PART NO.	DESCRIPTION
0	1	026695A	ASSEMBLY, Front Face Weldment, 780
1	1	026139A	WELDMENT, Closed Face Pilot
2	1	-	PLATE, Front
3	3	-	PLATE, Face Gusset
4	3	-	PLATE, Face Gusset
5	12	P0051-004	HOLDER, Carbide Tooth
6	12	P0050-011	TOOTH, Carbide Bullet
7	21	P0051-011	HOLDER, Tooth
8	15	P0050-026	TOOTH, Paddle
9	6	015022P00	BAR, Face Plate Wear
10	1	020909A00	DOOR, Obstruction Removal
11	6	P0050-030	TOOTH, Carbide Cutter Bar
12*	1	026144A	KIT, Obstruction Door / Center Pilot Hardware

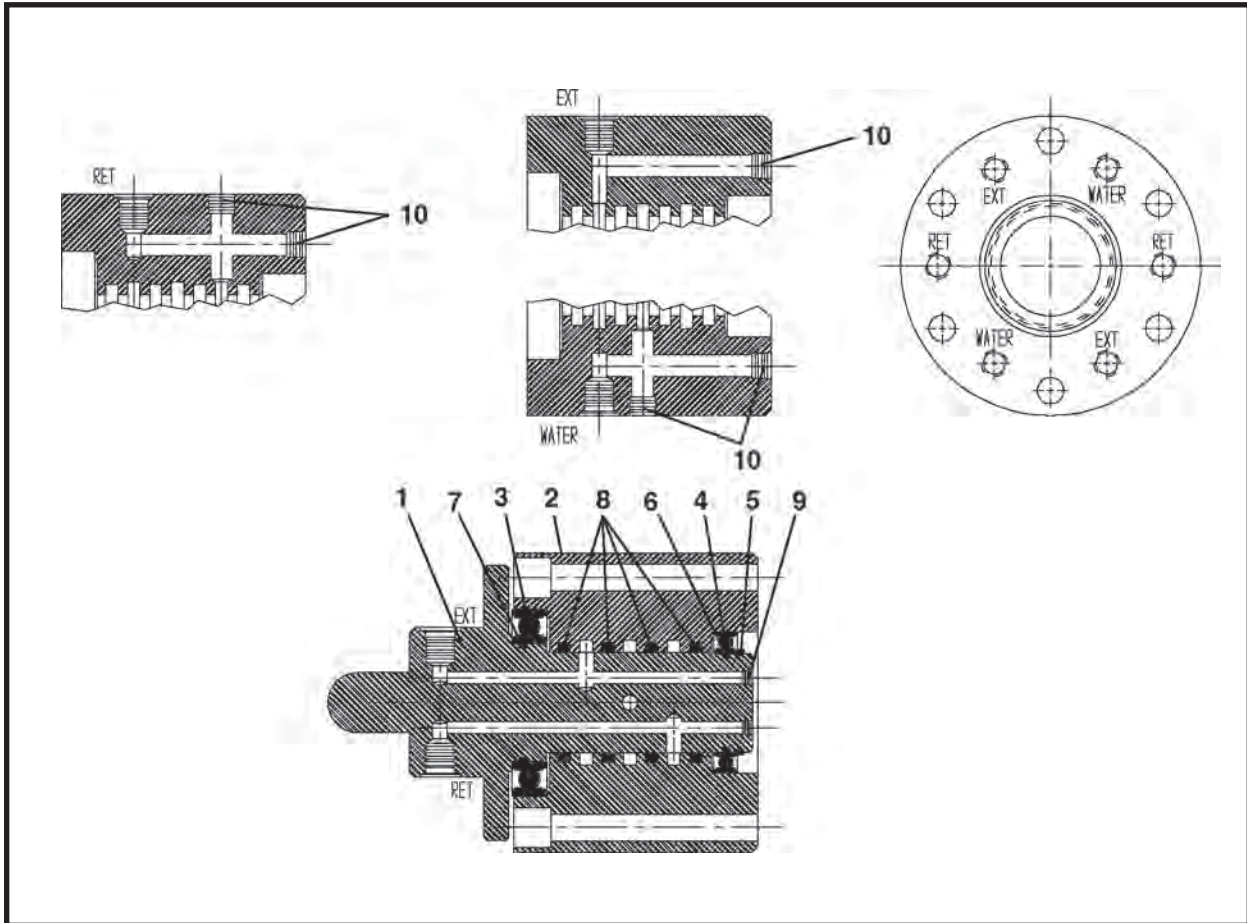
* Refer to this section for parts information.

OBSTRUCTION DOOR PILOT HARDWARE KIT, 026144A
780 CLOSED FACE (OLD STYLE)



ITEM	QTY	PART NO.	DESCRIPTION
0	1	026144A	KIT, Obstruction Door Pilot Hardware
1	14	P0045-006	WASHER, Lock 3/8
2	14	P0001-06-006	BOLT, Hex 3/8-16 x 1-1/2
3	12	P0045-008	WASHER, Lock 1/2
4	12	P0001-08-008	BOLT, Hex 1/2-13 x 2

ROTARY HUB ASSEMBLY, 018700A00
780 CLOSED FACE (OLD STYLE)



ITEM	QTY	PART NO.	DESCRIPTION
0*	1	018700A00	ASSEMBLY, Rotary Hub
1	-	-	-
2	-	-	-
3	1	P0065-106	BEARING
4	1	P0065-013	BEARING
5	1	P0077-029	RING, Snap
6	1	P0085-132	ORING
7	1	P0085-139	ORING
8	4	P0080-019	SEAL, Quad
9	1	P0300-144	PLUG, 1/8
10	10	P0300-026	PLUG, 1/4

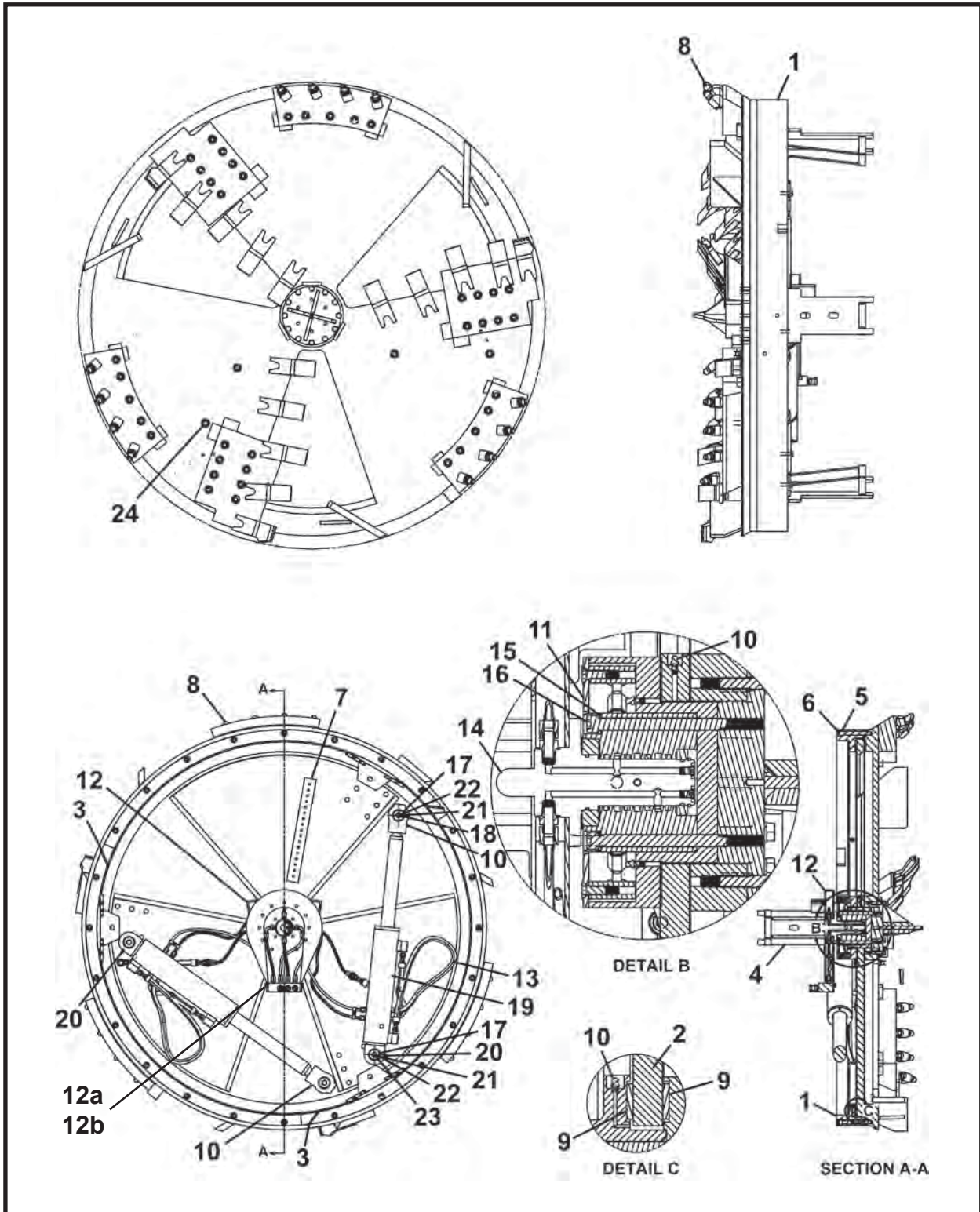
* The complete Rotary Hub Assembly, 018700A00 is no longer available. For complete replacement, use 027562A, Rotary Hub Assembly (refer to Rotary Hub Assembly, 027562A later in this section).

NOTE: When replacing parts:

1. Pack bearings with grease before pressing into item 2.
2. Lubricate seals and shaft before assembly in item 2.
3. After shaft is in place, slide item 6 on shaft.
4. Press item 4 into housing after shaft is in place.
5. Pressure test all ports of hub to 3,000 psi.

NOTES

CLOSED FACE ASSEMBLY
600 - 660 - 720 - 780 CLOSED FACE (NEW STYLE)



ITEM	QTY	600 PART NO.	660 PART NO.	720 PART NO.	780 PART NO.	DESCRIPTION
0	1	F27550F	F25675F	F20975F	F26890F	CLOSED FACE ASSEMBLY
1	1	027555P	025678P	020978P	026892P	RING, Rear
2	1	027556P	025679P	020979P	026893P	DOOR, Rotary

CLOSED FACE ASSEMBLY
600 - 660 - 720 - 780 CLOSED FACE (NEW STYLE)

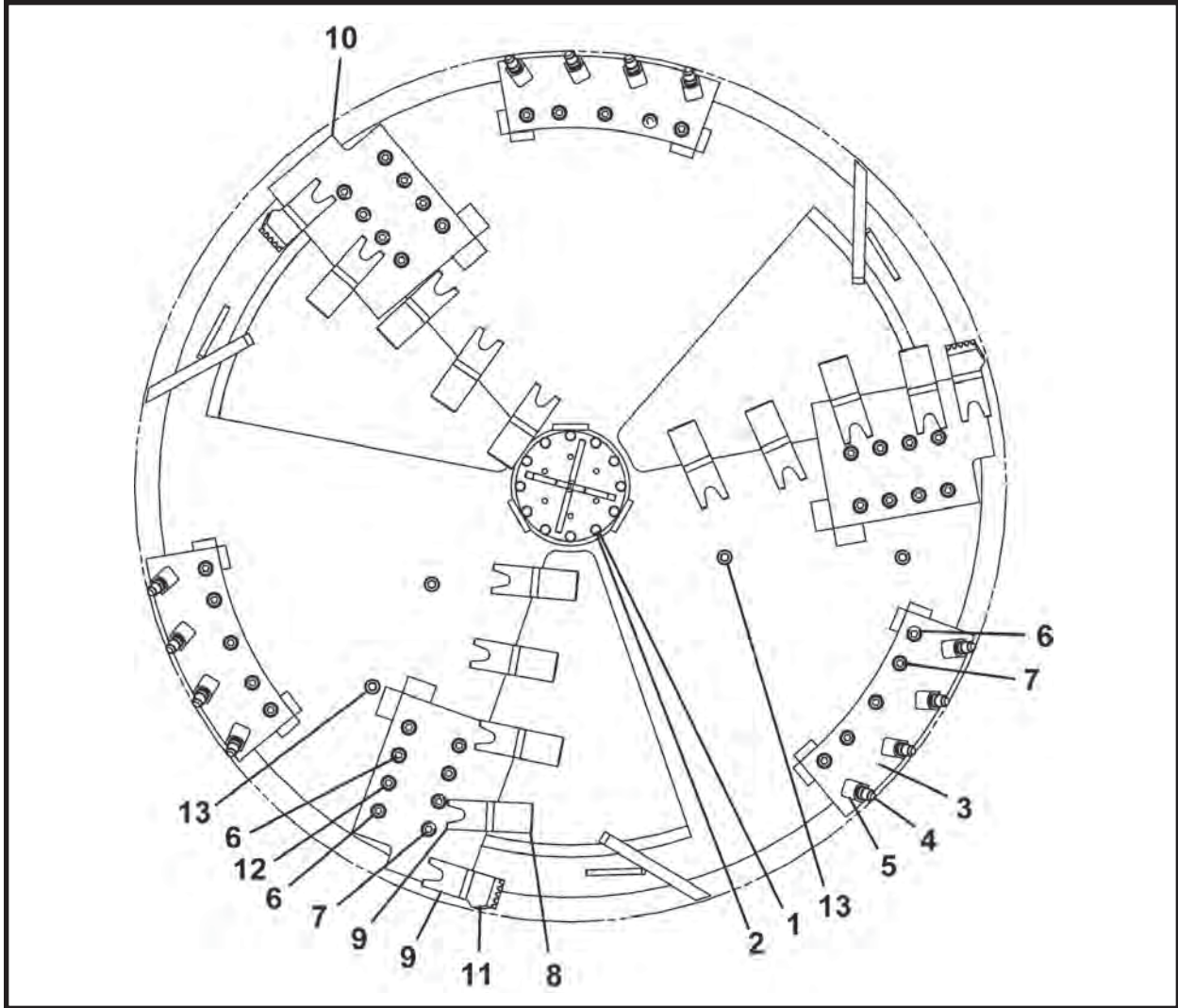
ITEM	QTY	600 PART NO.	660 PART NO.	720 PART NO.	780 PART NO.	DESCRIPTION
3	3	027558P	027558P	027558P	027558P	SCRAPER, Outside
4	3	027552A	027552A	020982A	020982A	MOUNT
5	24	P0046-010	P0046-010	P0046-010	P0046-010	WASHER, Hi-Collar Lock 5/8
6	24	P0031-10-020	P0031-10-020	P0031-10-020	P0031-10-020	SCREW, Socket Head Cap 5/8 x 5
7	1	014215P00	014215P00	014215P00	014215P00	TARGET BAR
8	1	027551A	025676A	020976A	026891A	FRONT FACE ASSEMBLY
9	16/10/10/12	027560P	025680P	020980P	026894P	RING, Plastic Wear
10	8/8/9/9	P0063-001	P0063-001	P0063-001	P0063-001	FITTING, Grease Straight 1/8
11	1	018656A00	018656A00	018656A00	018656A00	GUARD, Rotary Hub (Includes 11a & b)
11a	6	P0030-06-004	P0030-06-004	P0030-06-004	P0030-06-004	SCREW, Flat Hd 3/8 UNC x 1
11b	2	P0063-001	P0063-001	P0063-001	P0063-001	FITTING, Grease 1/8
12	1	018671A00	018671A00	018671A00	018671A00	GUARD, Conveyor & Rotary Hub
12a	4	P0001-05-004	P0001-05-004	P0001-05-004	P0001-05-004	BOLT, 5/16 UNC x 1
12b	4	P0045-004	P0045-004	P0045-004	P0045-004	WASHER, Lock 1/4
13**	1	027561A	027561A	020985A	020985A	HYDRAULIC ASSEMBLY
14	1	027562A	027562A	027562A	027562A	ROTARY HUB ASSEMBLY
15	6	P0046-008	P0046-008	P0046-008	P0046-008	WASHER, Hi-Collar Lock 1/2
16	6	P0031-08-022	P0031-08-022	P0031-08-022	P0031-08-022	SCREW, Socket Head Cap 1/2 x 5.5
17	4/4/6/6	018718P00	018718P00	018718P00	018718P00	WASHER
18	4/2/3/3	018717P01	018717P01	018717P01	018717P01	PIN, Front Mount
19***	2/2/3/3	015050A	015050A	015080A	015080A	CYLINDER ASSEMBLY
20	2/3/3/3	P0063-003	P0063-003	P0063-003	P0063-003	FITTING, Grease 90 Deg 1/4
21	4/4/6/6	P0001-08-006	P0001-08-006	P0001-08-006	P0001-08-006	BOLT, 1/2 x UNC x 1.5
22	4/4/6/6	P0045-008	P0045-008	P0045-008	P0045-008	WASHER, Lock 1/2
23	2/2/3/3	015057P	015057P	015057P	015057P	PIN, Cylinder Mounting
24	4	P0416-003	P0416-003	P0416-003	P0416-003	PLUG, Square Head 1/2
25*	3	016735A	016735A	016735A	016735A	RUBBER PADDLE ASSEMBLY
26*	1	027509A	027509A	027509A	027509A	LIFTING WELDMENT

* Not Shown

** Refer to Section 6, Hydraulics, for parts information.

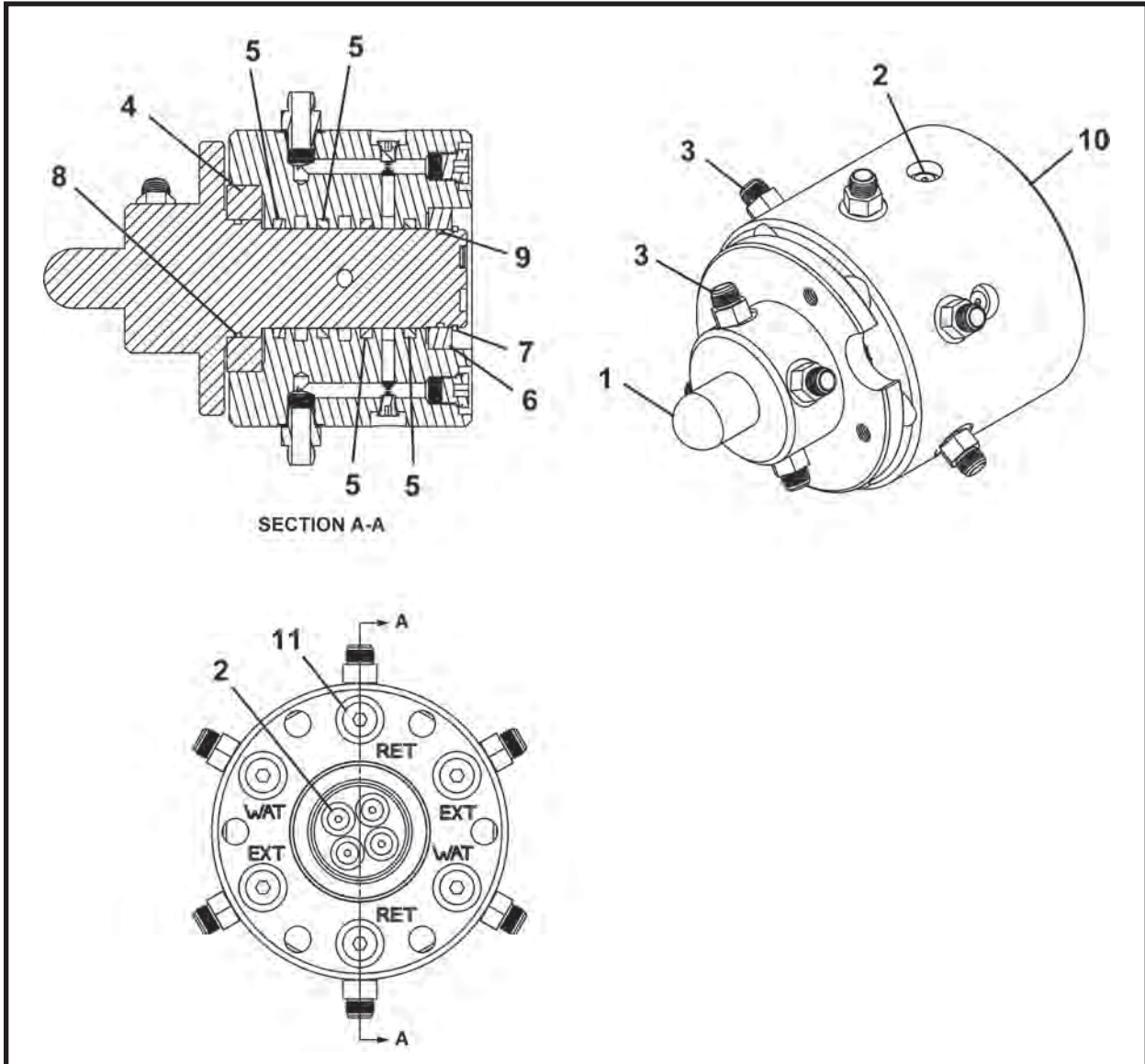
*** Refer to Section 10, Cylinders, for parts information.

FRONT FACE ASSEMBLY
600 - 660 - 720 - 780 CLOSED FACE (NEW STYLE)



ITEM	QTY	600 PART NO.	660 PART NO.	720 PART NO.	780 PART NO.	DESCRIPTION
0	1	027551A	025676A	020976A	026891A	FRONT FACE ASSEMBLY
1	12	P0045-008	P0045-008	P0045-008	P0045-008	WASHER, Lock 1/2
2	12	P0001-08-008	P0001-08-008	P0001-08-008	P0001-08-008	BOLT, 1/2 UNC x 2
3	3	027559P	027559P	027559P	027559P	PLATE, Tooth Mounting
4	12	P0050-011	P0050-011	P0050-011	P0050-011	BIT, Cutter
5	12	P0051-004	P0051-004	P0051-004	P0051-004	HOLDER, Bit
6	39	P0046-012	P0046-012	P0046-012	P0046-012	WASHER, Hi-Collar Lock 3/4
7	21	P0031-12-012	P0031-12-012	P0031-12-012	P0031-12-012	SCREW, Socket Head Cap 3/4 x 3
8	12/14/16/17	P0050-026	P0050-026	P0050-026	P0050-026	TEETH, Cutter
9	15/17/19/20	P0051-011	P0051-011	P0051-011	P0051-011	POCKET, Tooth
10	3	026315A	026315A	026315A	026315A	TOOTH, Standard
11	3	P0050-030	P0050-030	P0050-030	P0050-030	TEETH, Carbide Cutter Bar
12	18	P0031-12-010	P0031-12-010	P0031-12-010	P0031-12-010	SCREW, Socket Hd Cap 3/4 x 2.5
13	4	P0400-003	P0400-003	P0400-003	P0400-003	COUPLING

ROTARY HUB ASSEMBLY, 027562A
600 - 660 - 720 - 780 CLOSED FACE (NEW STYLE)

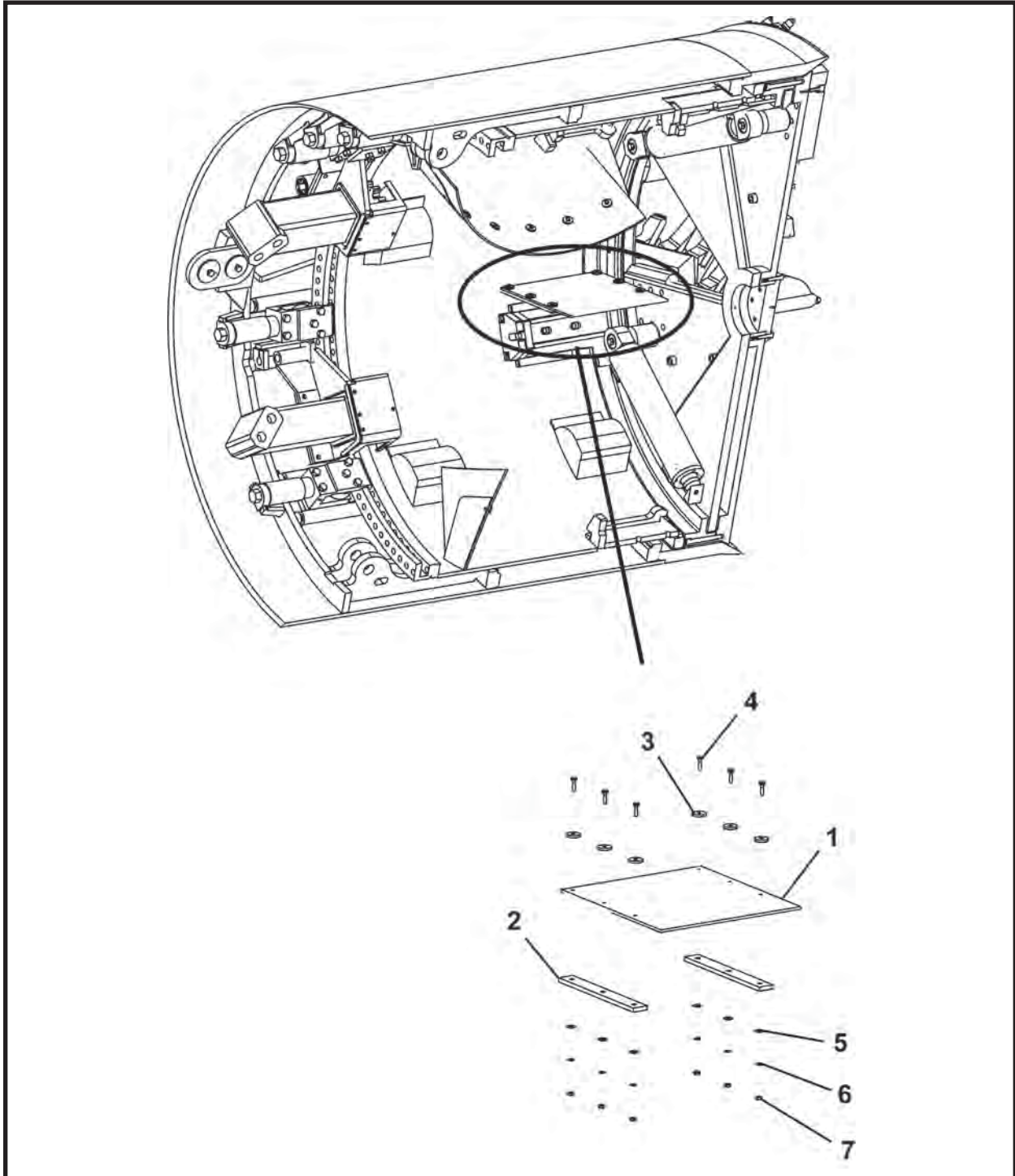


ITEM	QTY	PART NO.	DESCRIPTION
0	1	027562A	ROTARY HUB ASSEMBLY
1	1	027564P	SHAFT
2	8	P0300-224	PLUG, 02MB-HHP
3	10	P0300-041	FITTING, 06MJ-06MB
4	1	P0065-106	BEARING
5	4	P0080-019	SEAL, Quad
6	1	P0065-013	BEARING
7	1	P0077-029	RING, External Snap
8	1	P0085-139	ORING
9	1	P0085-132	ORING
10	1	027563P	HUB
11	6	P0300-176	PLUG, 06MB-HHP

NOTE: When replacing parts:

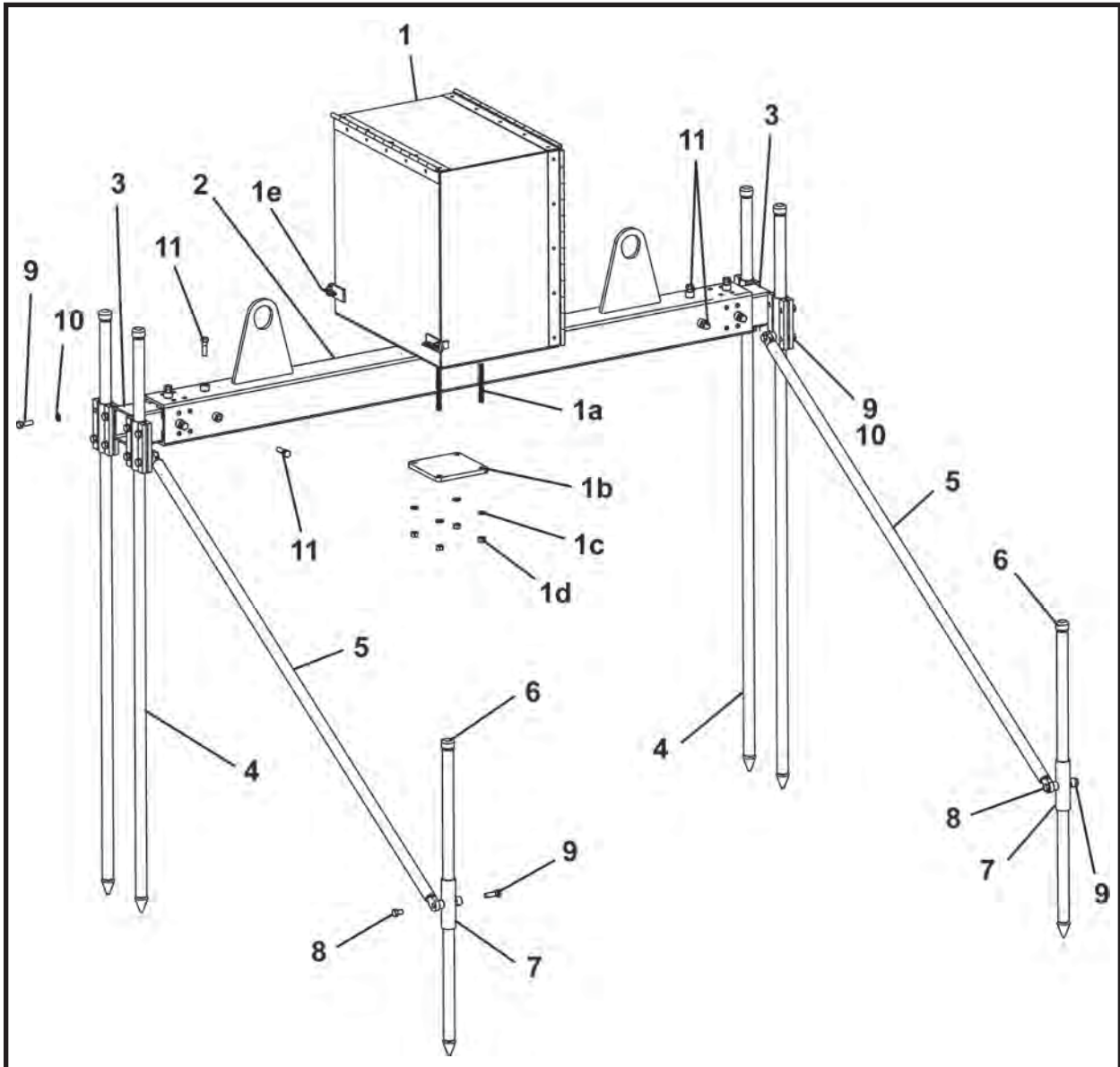
1. Pack bearings with grease before pressing into item 10.
2. Lubricate seals and shaft before assembly in item 10.
3. After shaft is in place, slide item 9 on shaft.
4. Press item 6 into housing after shaft is in place.
5. Pressure test all ports of hub to 3,000 psi.

RUBBER PADDLE ASSEMBLY, 016735A
600 - 660 - 720 - 780 CLOSED FACE (NEW STYLE)



ITEM	QTY	PART NO.	DESCRIPTION
0	1	016735A	PADDLE ASSEMBLY, Rubber
1	1	016736P	BELTING, Paddle
2	2	016737P	BAR, Paddle Mounting
3	6	002624P00	WASHER
4	6	P0001-04-004	BOLT, 1/4 UNC x 1
5	6	P0040-004	WSHER, Hardened Flat 1/4
6	6	P0045-004	WASHER, Lock 1/4
7	6	P0003-04-000	NUT, 1/4

LASER LIGHT STAND, F05866F00



ITEM	QTY	PART NO.	DESCRIPTION
0	1	F05866F00	LASER LIGHT STAND
1	1	006068A01	LASER BOX ASSEMBLY (Includes items 1a - 1e)
1a	14	P0023-500A-008	ROD, Threaded
1b	1	006051P00	PLATE, Laser Box
1c	8	P0045-008	WASHER, Lock 1/2
1d	8	P0003-08-000	NUT, 1/2
1e	2	P0090-004	PIN, Hitch
2	1	006047A00	TUBE
3	2	006034A00	TUBE, Sliding
4	4	006039A00	STAKE, Long
5	2	006044A00	TUBE, Support
6	2	006040A00	STAKE, Short
7	2	006025A00	TUBE, Swivel
8	4	P0001-08-003	BOLT, 1/2 UNC x .75
9	26	P0001-08-005	BOLT, 1/2 UNC x 1.25
10	24	P0045-008	WASHER, Lock 1/2
11	8	P0001-08-007	BOLT, 1/2 UNC x 1.75

NOTES



Operator Controls

TBM 600 (SN F19325F00-15 & BEFORE) TBM 660 (SN F04410F00-7 & BEFORE)
TBM720 (SN F20800F00-18 & BEFORE) TBM 780 (SN F25000F-3 & BEFORE)

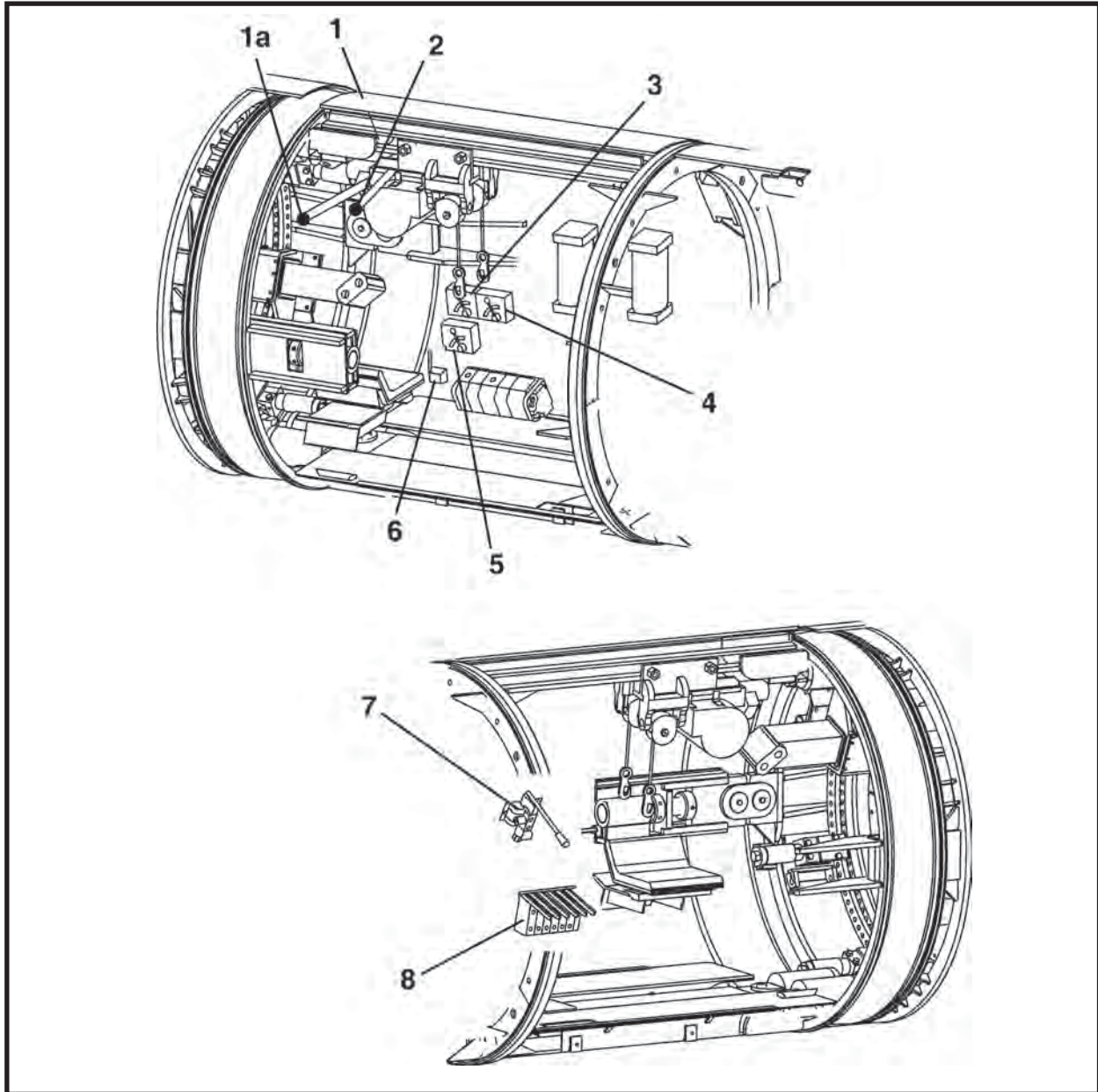
Operator Controls 600 - 660 - 720 - 780 2

TBM 600 (SN F19325F00-16 & AFTER) TBM 660 (SN F04410F00-8 & AFTER)
TBM720 (SN F20800F00-19 & AFTER) TBM 780 (SN F25000F-4 & AFTER)

Operator Controls 600 - 660 - 720 - 780 3

OPERATOR CONTROLS

600: SN F19325F00-15 & Before; 660: SN F04410F00-7 & Before;
720: SN F20800F00-18 & Before; 780: SN F25000F-3 & Before



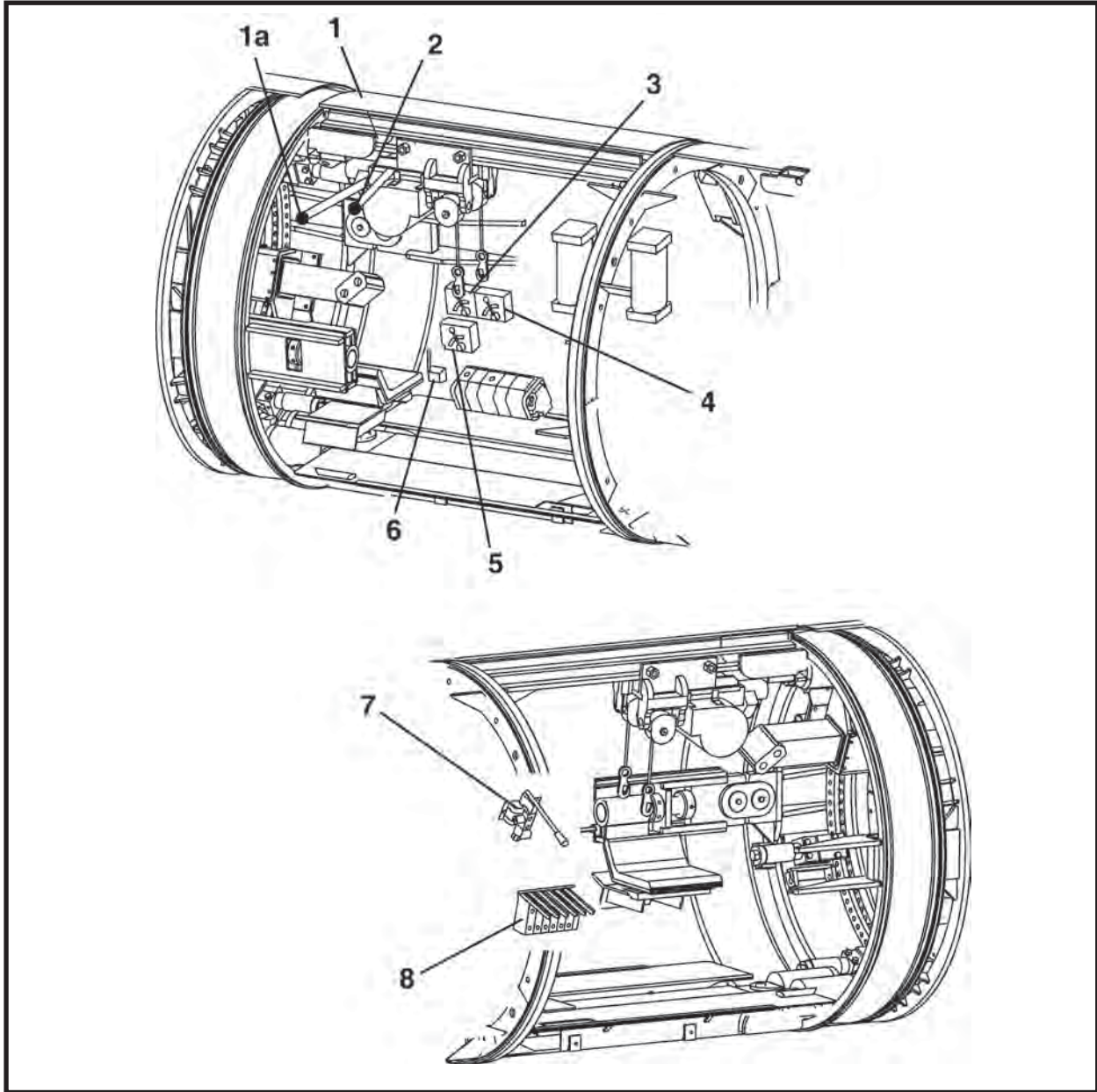
ITEM	QTY	PART NO.	DESCRIPTION
1*	1	007579A00	VALVE, Inner Drum Motor Control
1a	-	-	Inner Drum Control Lever
2*	1	P0302-109	VALVE, Conveyor Drive Control
3*	1	P0302-112	VALVE, Inner Drum Speed Flow Control
4*	1	P0302-112	VALVE, Conveyor Speed Flow Control
5*	1	P0302-112	VALVE, Steering Selector Flow Control
6*	1	P0302-183	VALVE, Conveyor Control
7*	1	P0302-118	VALVE, Steering (Grade/Alignment)
8*	1	P0302-260	VALVE, TBM Control

* Refer to Section 7, Valves for parts information.

OPERATOR CONTROLS

600: SN F19325F-16 & After; 660: SN F04410F-8 & After;

720: SN F20800F-19 & After; 780: SN F25000F-4 & After



ITEM	QTY	PART NO.	DESCRIPTION
1*	1	007579A00	VALVE, Inner Drum Motor Control
1a	-	-	Inner Drum Control Lever
2*	1	005344A	VALVE, Conveyor Drive Control
3*	1	P0302-533	VALVE, Inner Drum Speed Flow Control
4*	1	P0302-533	VALVE, Conveyor Speed Flow Control
5*	1	P0302-533	VALVE, Steering Selector Flow Control
6*	1	029902A	VALVE, Conveyor Control
7*	1	P0302-118	VALVE, Steering (Grade/Alignment)
8*	1	P0302-260	VALVE, TBM Control

* Refer to Section 7, Valves for parts information.

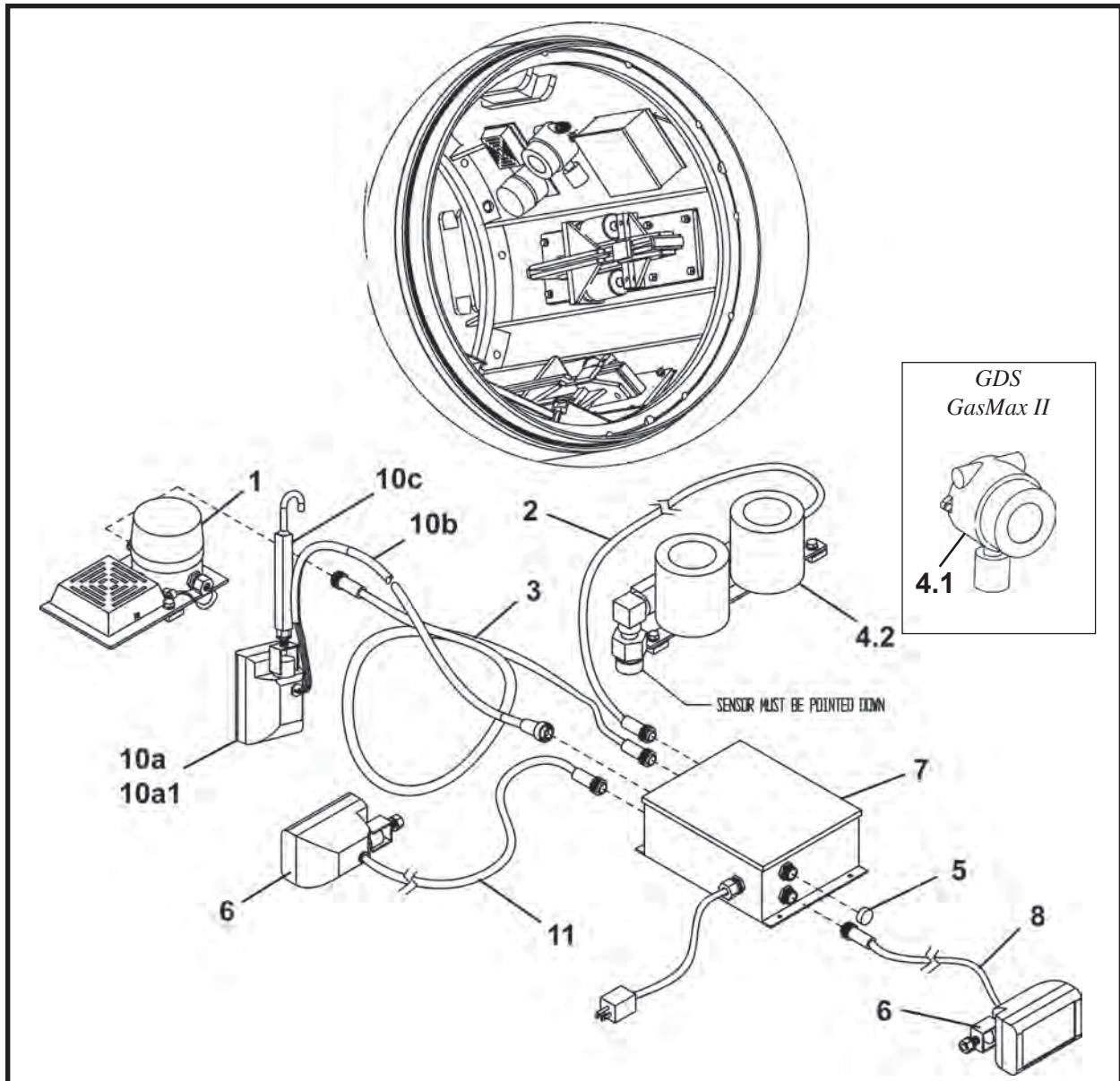
NOTES



Electrical

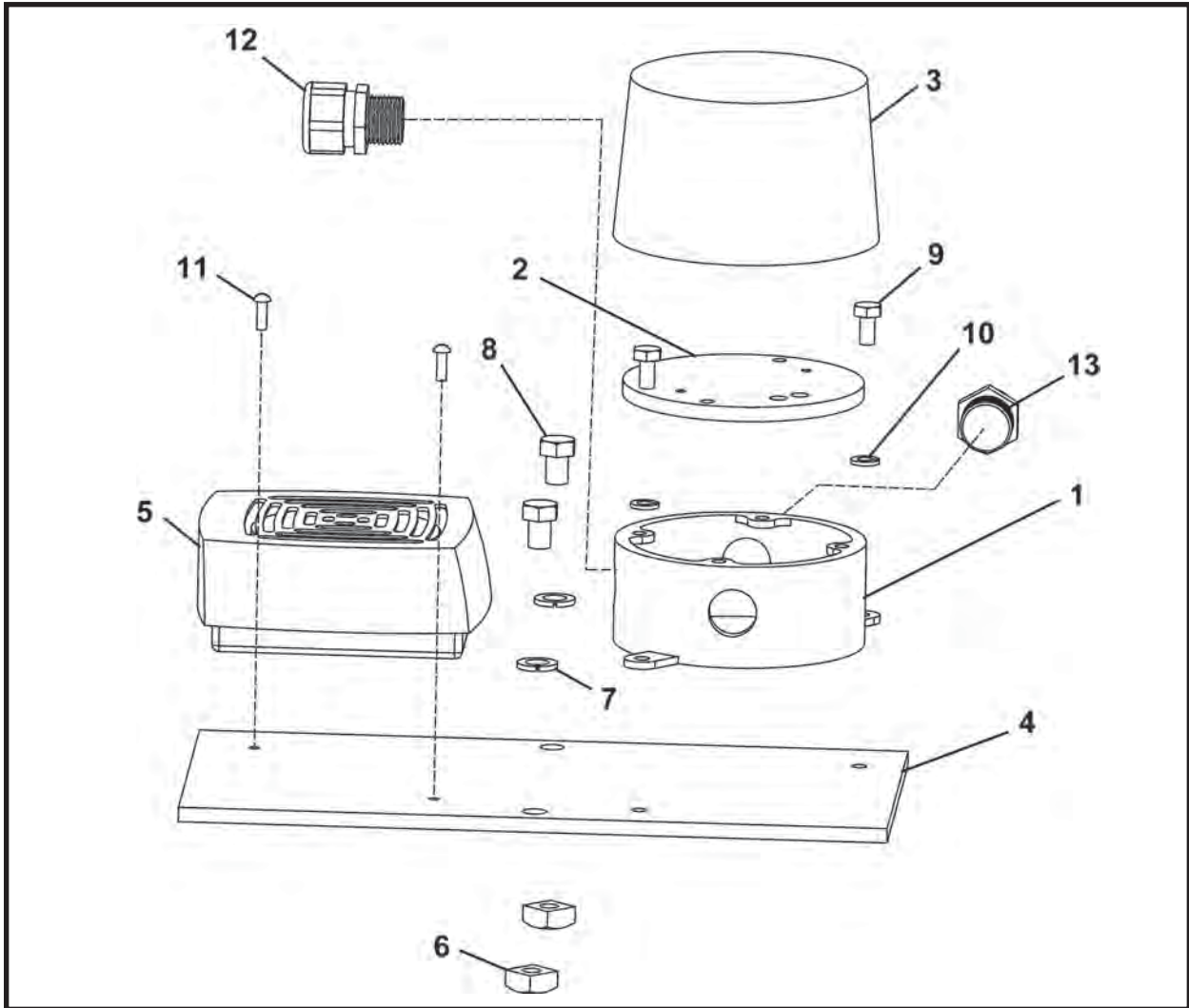
Electrical SysITEM Assembly, 016400A	2
Strobe - Horn Assembly, 016404A	3
Gas Detector Assembly	
Gas Detector Assembly - GasMax II, 016420A	4
Gas Detector Assembly - Zellweger Analytics, 016401A	5
Gas Challenge Kit, P0310-266	6
Gas Detector Schematic	
GasMax II	7
Zellweger Analytics	8
Electrical Box Assembly, 016402A	9
Electrical Box Schematic	10
Extension Light Assembly, 016415A	11

ELECTRICAL SYSTEM ASSEMBLY, 016400A



ITEM	QTY	PART NO.	DESCRIPTION
0	1	016400A	ELECTRICAL SYSTEM ASSEMBLY
1	1	016404A	STROBE-HORN ASSEMBLY
2	1	P0054-287	CABLE
3	1	P0054-087	CABLE
4.1	1	016420A	GAS DETECTOR ASSEMBLY - GasMax II
4.2	1	016401A	GAS DETECTOR ASSEMBLY - Zellweger Analytics
5	1	P0054-090	CAP
6	2	016409A	LIGHT ASSEMBLY (Includes items 6a and 6b)
6a	1	P0053-026	LIGHT (Includes item 6b)
6b	1	P0053-026A	BULB, Light
7	1	016402A	ELECTRICAL BOX ASSEMBLY
8	1	016410A	CABLE ASSEMBLY
9	-	-	-
10	1	016415A	EXTENSION LIGHT ASSEMBLY (Includes items 10a - 10b)
10a	1	P0053-026	LIGHT (Includes item 10a1)
10a1	1	P0053-026A	BULB, Light
10b	1	P0054-167A	CABLE ASSEMBLY
10c	1	016416A	LIGHT HANDLE
11	1	016419A	CABLE ASSEMBLY, 25 ft

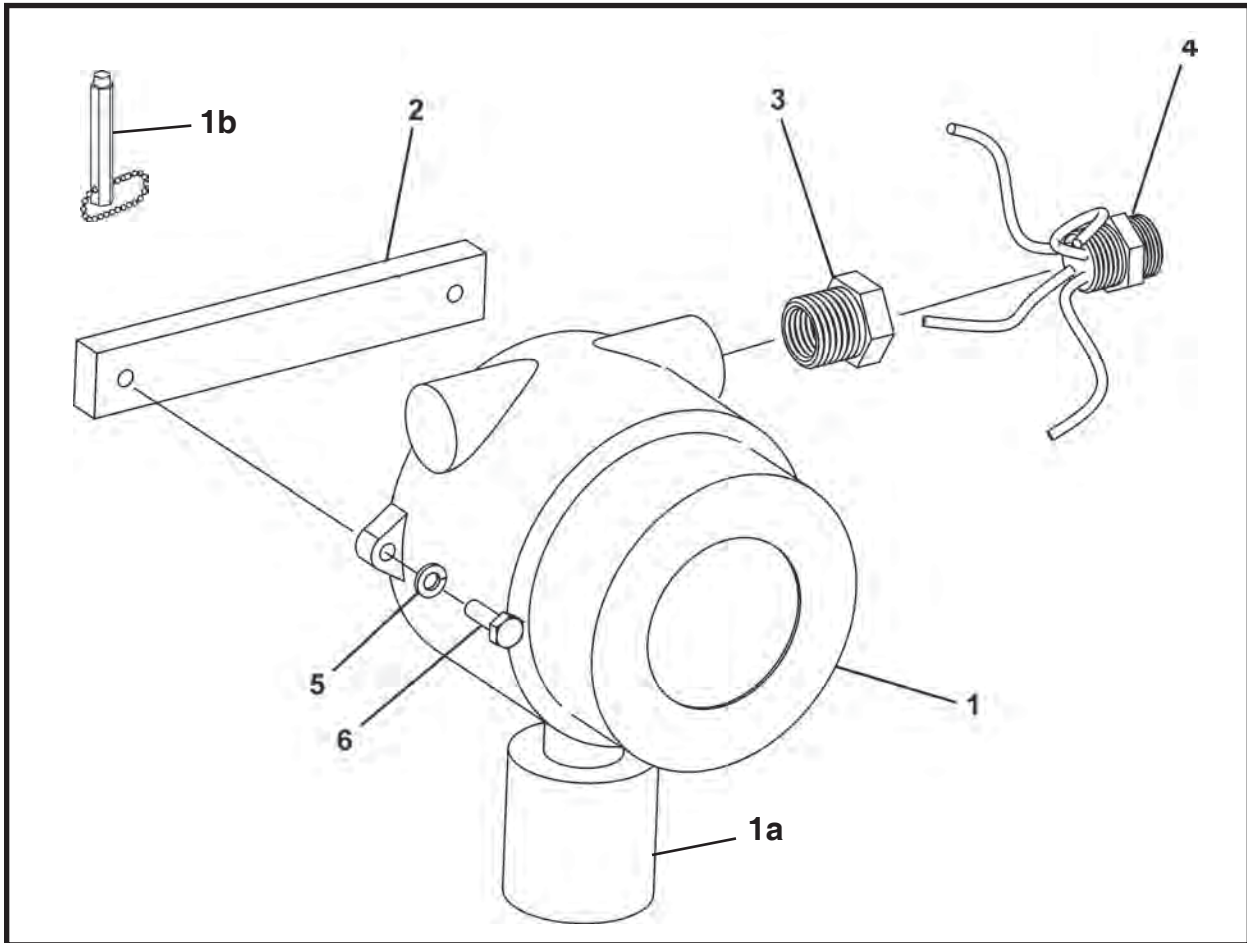
STROBE - HORN ASSEMBLY, 016404A



ITEM	QTY	PART NO.	DESCRIPTION
0	1	016404A	STROBE - HORN ASSEMBLY
1	1	P0310-251	HOLDER BOX
2	1	023534P00	COVER, Back
3	1	P0310-286B	STROBE LIGHT, Red 24VDC (Includes item 3a)
3a	1	P0310-286A	LENS
4	1	016405P	PLATE, Mounting
5	1	P0310-287D	HORN, Warning 24VDC
6	2	P0011-006A	NUT, Strut Square
7	2	P0045-006	WASHER, Lock 3/8
8	2	P0001-06-002	BOLT, 3/8-16 UNC x 1/2
9	2	P0001-04-002	BOLT, 1/4-20 UNC x 1/2
10	2	P0045-004	WASHER, Lock 1/4
11	2	P0017-08-323	SCREW, Round Head Machine 8-32 x 1/2
12	1	P0311-121	CONNECTOR, Strain Relief
13	1	P0054-069	RECEPTACLE, Mini

* Not Shown

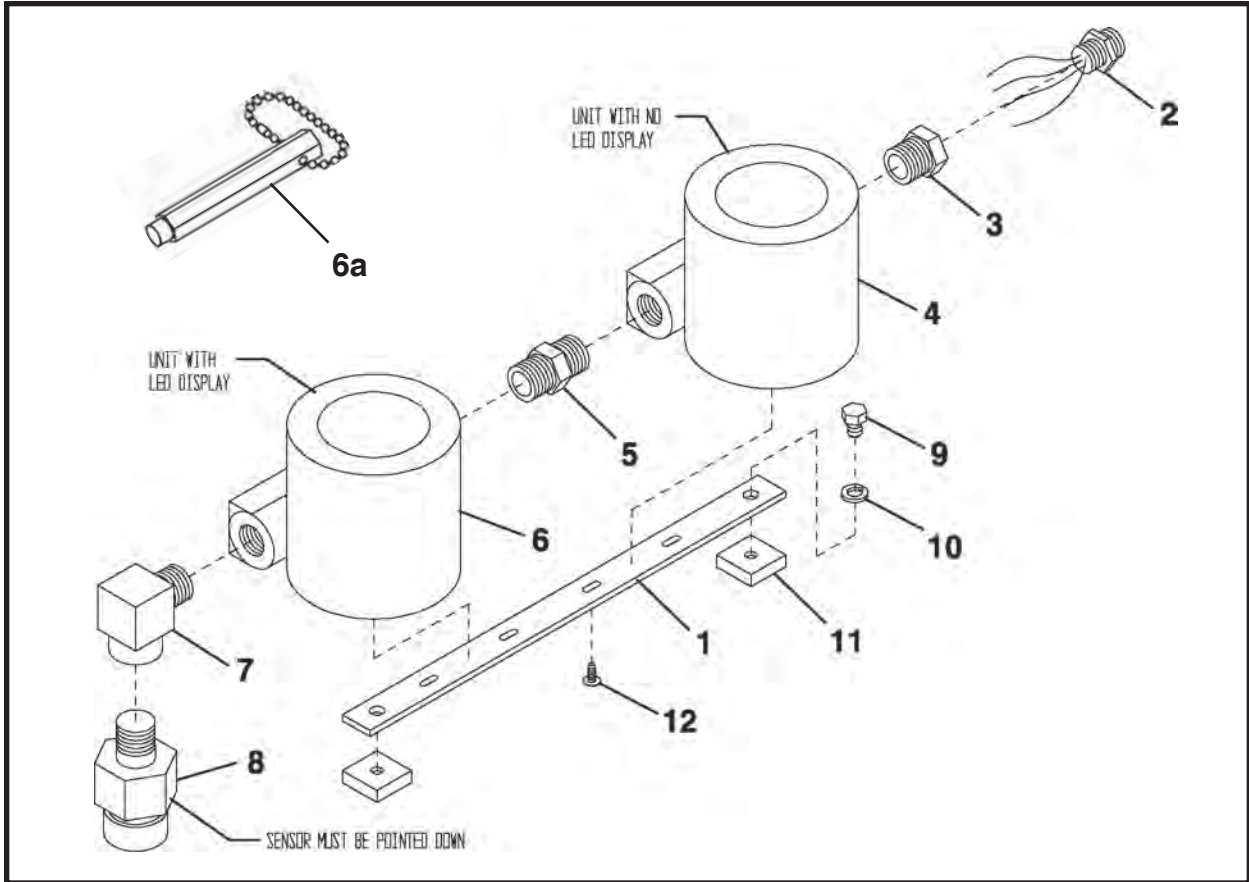
GAS DETECTOR ASSEMBLY, 016420A
GDS GasMax II



ITEM	QTY	PART NO.	DESCRIPTION
0	1	016420A	GAS DETECTOR ASSEMBLY - GasMax II
1	1	P0251-197	DETECTOR, GDS (Includes items 1a and 1b)
1a*	1	P0251-197A	ELEMENT, Sensor
1b	1	P0310-283B	MAGNETIC WAND
2	1	016407P	BRACKET, Mounting
3	1	P0300-012	FITTING, 12MP-08FPS
4	1	P0054-286	RECEPTACLE, 4 Pin Male
5	2	P0045-004	WASHER, Lock 1/4
6	2	P0001-04-003	BOLT, 1/4 UNC x 3/4

* Not Shown

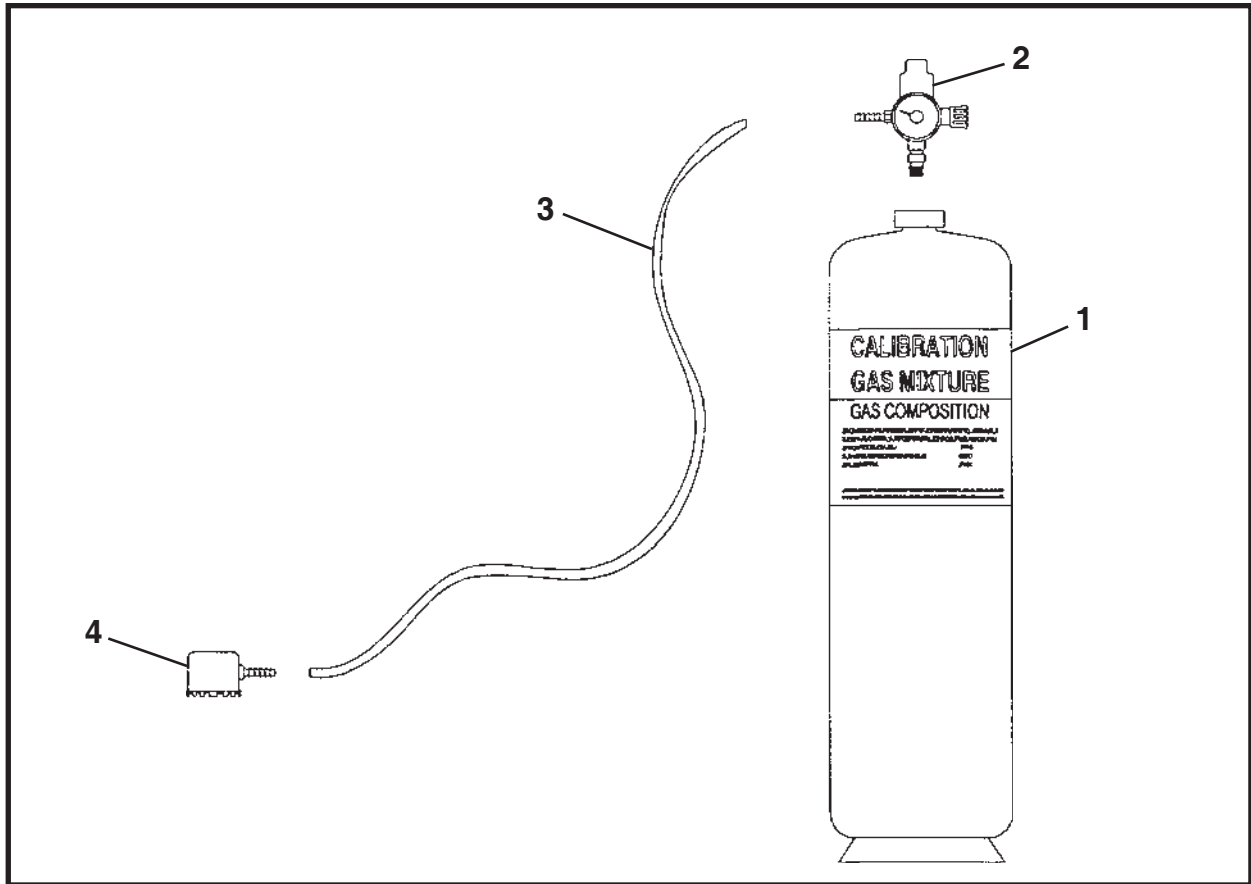
GAS DETECTOR ASSEMBLY, 016401A
ZELLWEGER ANALYTICS



ITEM	QTY	PART NO.	DESCRIPTION
0*	1	016401A	GAS DETECTOR ASSEMBLY
1	1	016403P	BRACKET, Mounting
2	1	P0054-286	RECEPTACLE
3	1	P0300-012	BUSHING, Reducer
4	1	P0310-284E	RELAY MODULE, Gas Detector
5	1	P0300-107	NIPPLE
6	1	P0310-283A	TRANSMITTER, Gas Detector (includes item 6a)
6a	1	P0310-283B	MAGNETIC WAND
7	1	P0300-009	ELBOW, Street 3/4 - 90 Degree
8	1	P0310-284D	SENSOR, Gas Detector
9	2	P0001-06-002	BOLT, 3/8-16 UNC x 1/2
10	2	P0045-006	WASHER, Lock 3/8
11	2	P0011-006A	NUT, Strut Square
12	4	P0017-10-324	SCREW, Round Head Machine 10-32

* Do not use pipe dope or tape on threads, must have good ground.
 All fittings must be plated noncorrosive configuration.

GAS CHALLENGE KIT, P0310-266

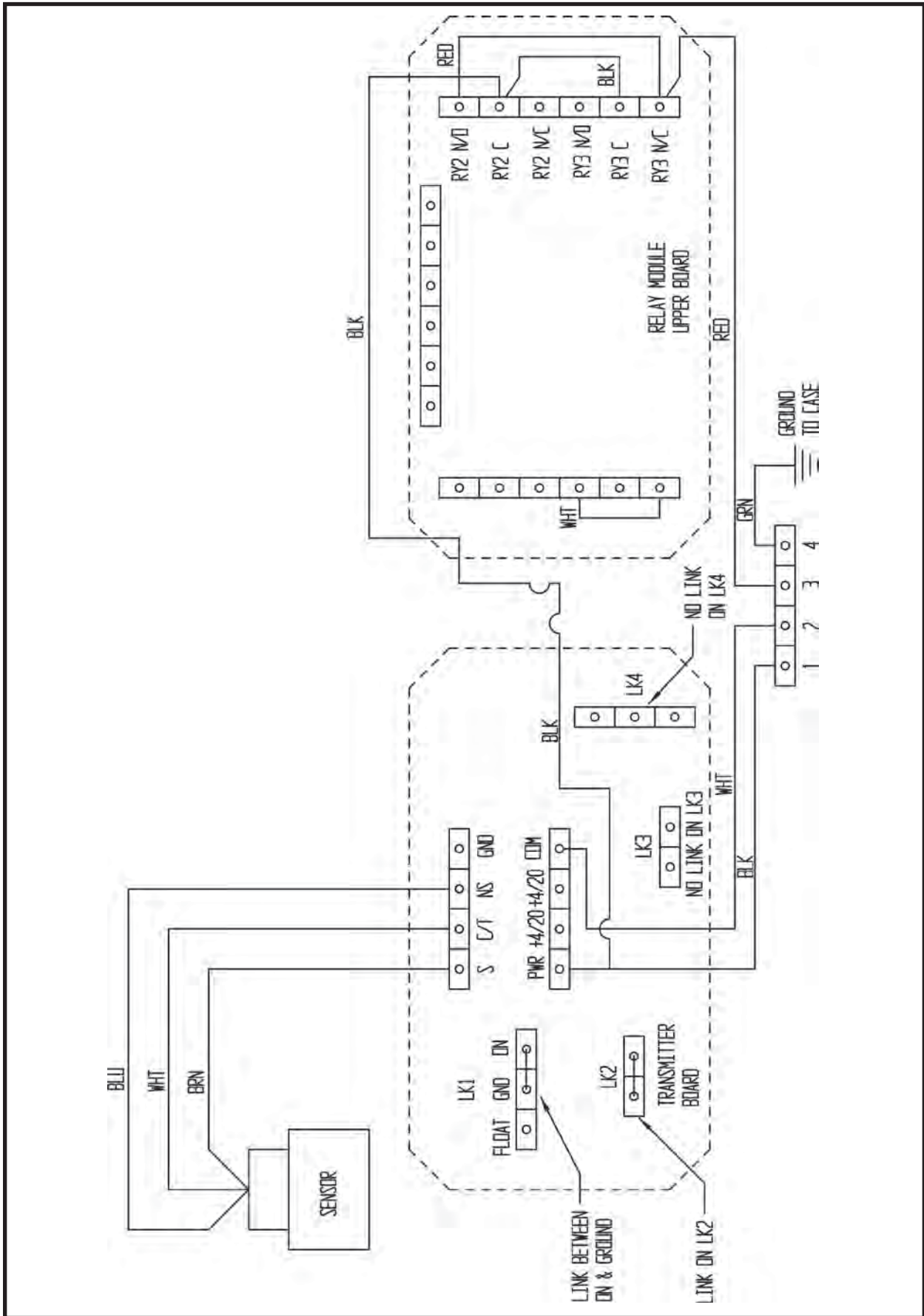


ITEM	QTY	PART NO.	DESCRIPTION
0	1	P0310-266	GAS CHALLENGE KIT
1	2	P0310-266A	CYLINDER, 50% LEL Methane Gas Concentration
2	1	P0310-266C	REGULATOR VALVE & GAUGE
3	1	P0310-266D	TUBE, Plastic
4a	1	P0310-266B	CALIBRATION CUP, Sensor (Zellweger)
4b	1	016422A	CALIBRATION CUP, Sensor (GasMaxII)
5*	1	-	PROTECTIVE CASE

* Not Shown

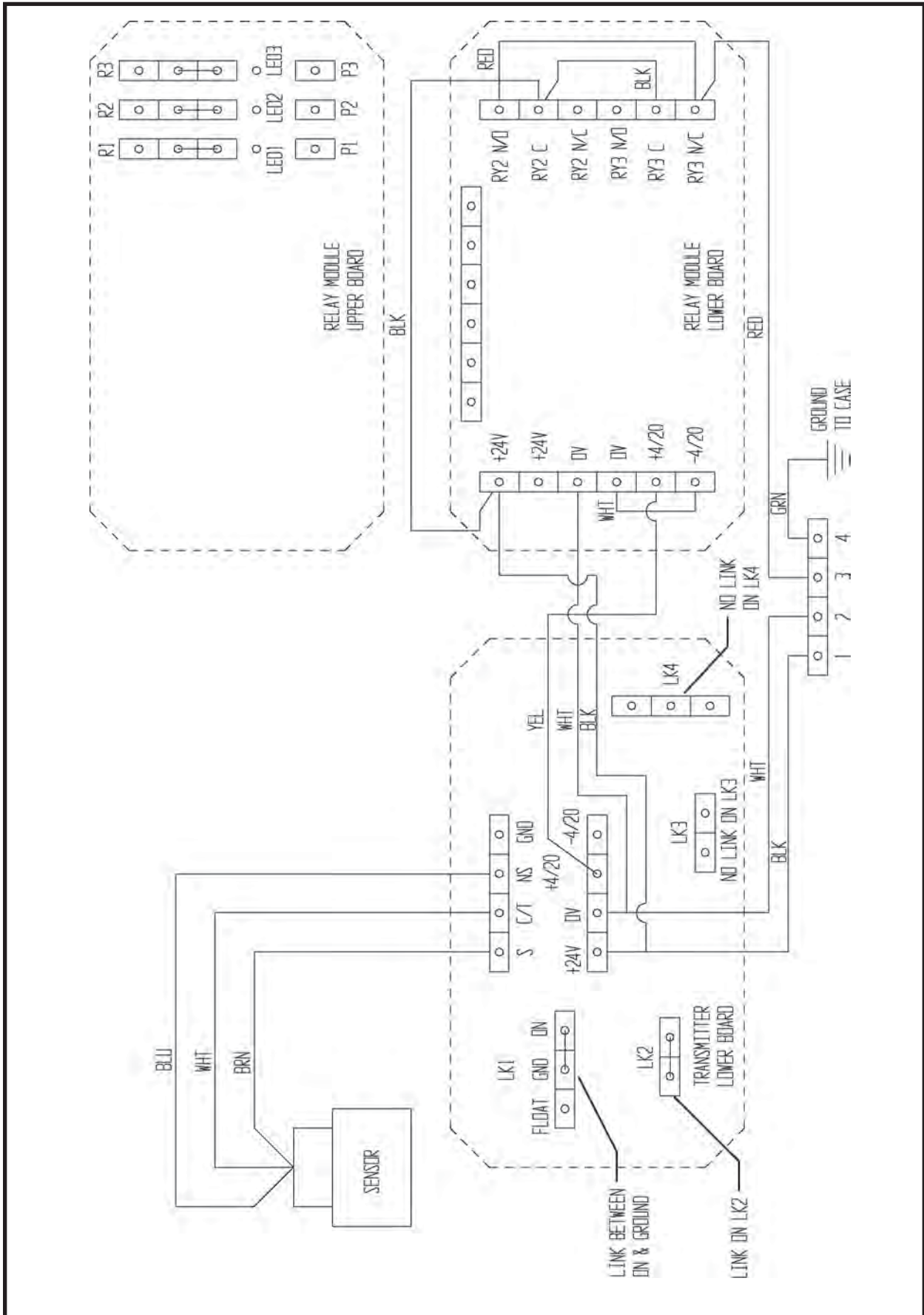
GAS DETECTOR ASSEMBLY SCHEMATIC

GDS GasMax II

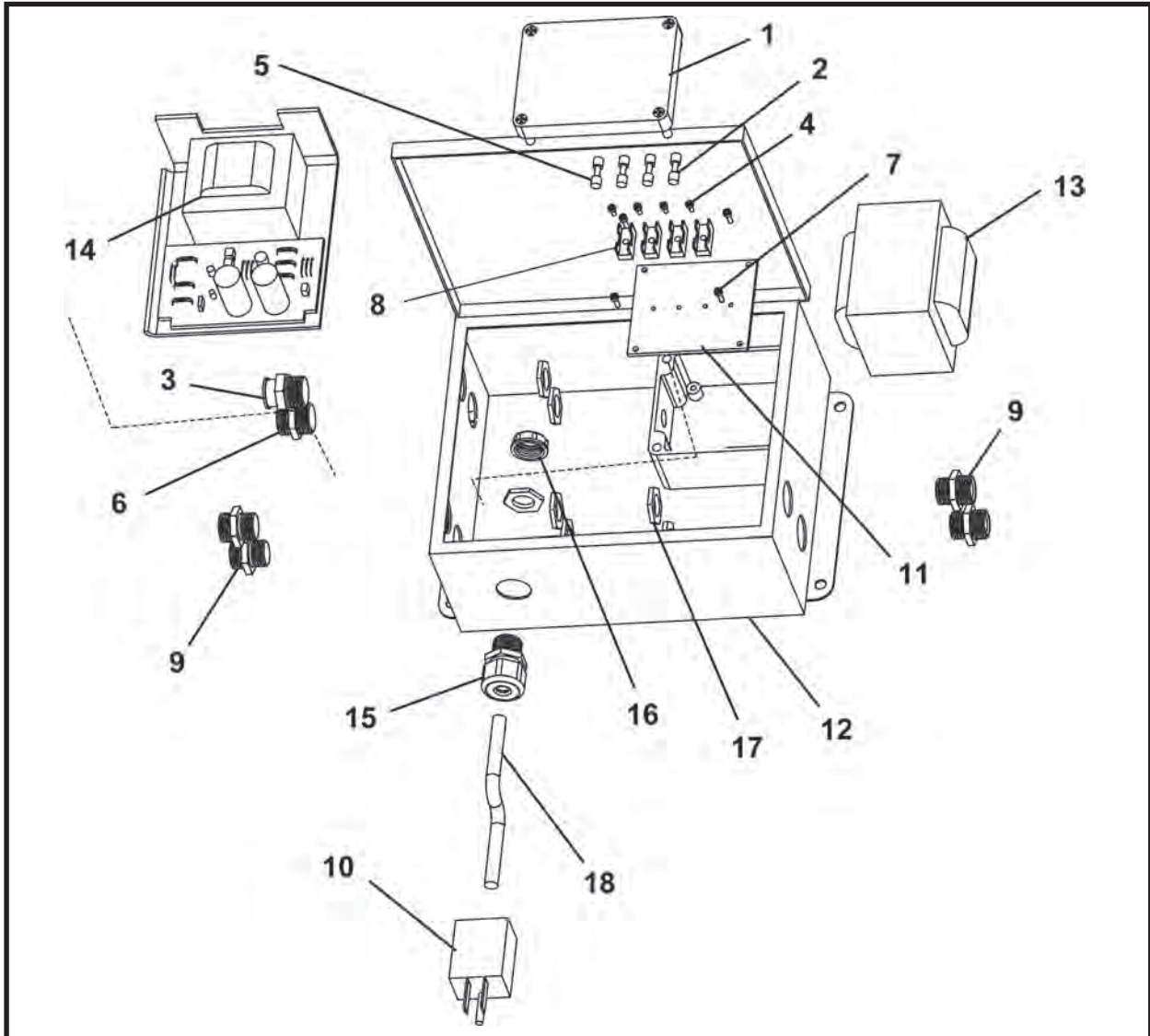


GAS DETECTOR ASSEMBLY SCHEMATIC

ZELLWEGER ANALYTICS



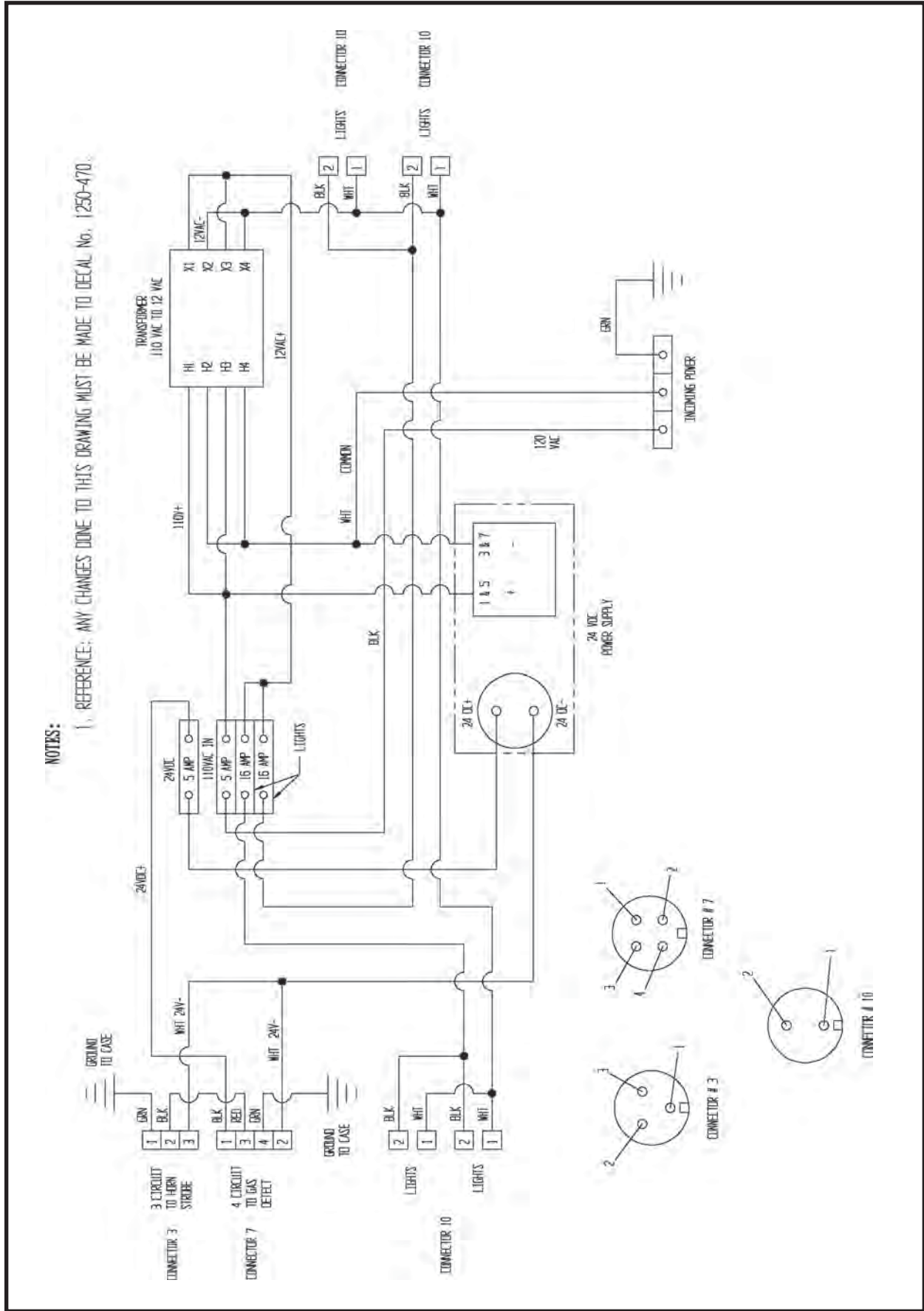
ELECTRICAL BOX ASSEMBLY, 016402A



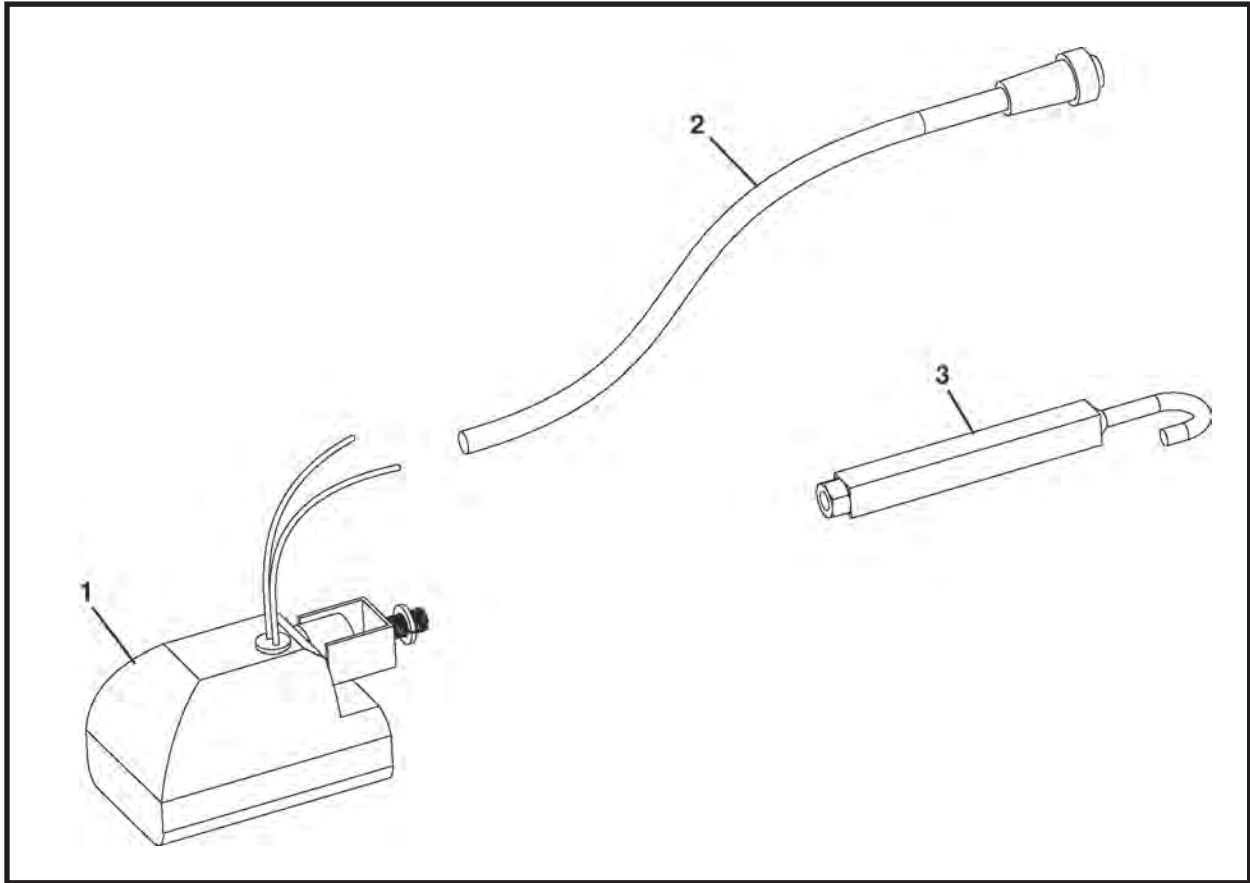
ITEM	QTY	PART NO.	DESCRIPTION
0	1	016402A	ELECTRICAL BOX ASSEMBLY
1	1	P0310-712	FUSE BOX
2	2	P0310-582	FUSE
3	1	P0054-068	RECEPTACLE, Mini
4	4	P0031-03-375NC	SCREW, Slotted Head Cap 3-48 UNC x .375
5	2	P0310-579	FUSE
6	1	P0313-049	RECEPTACLE, 4 Pin Connector
7	4	P0031-M3-010	SCREW, Slotted Head Cap, M3-.5 x 10mm
8	4	P0310-713	FUSE BLOCK
9	4	P0313-044	RECEPTACLE
10	1	P0311-041	PLUG, Grounding 3 Wire
11	1	016412P	PLATE, Fuse Block
12	1	016406P	ELECTRICAL BOX
13	1	P0310-701	TRANSFORMER
14	1	P0310-285A	POWER SUPPLY
15	1	P0311-121	CONNECTOR, Strain Relief
16	1	P0311-032	BUSHING, Insulating 1/2
17	1	P0311-018	NUT, Lock 1/2
18	24 LI	P0054-021	CONDUIT
19	18 OZ	P0310-390A	SILICONE ELASTOMER
20	18 OZ	P0310-390B	SILICONE ELASTOMER

LI - Linear Inch OZ - Ounce

ELECTRICAL BOX SCHEMATIC



EXTENSION LIGHT ASSEMBLY, 016415A



ITEM	QTY	PART NO.	DESCRIPTION
0	1	016415A	ASSEMBLY, Extension Light
1	1	P0053-026	LIGHT (Includes item 1a)
1a	1	P0053-026A	BULB, Light
2	1	P0054-167A	CABLE, 25'
3	1	016416A	HANDLE, Extension Light

NOTES



Hydraulics

TBM 600 (SN F19325F00-15 & BEFORE) TBM 660 (SN F04410F00-7 & BEFORE)
TBM720 (SN F20800F00-18 & BEFORE) TBM 780 (SN F25000F-3 & BEFORE)

Hydraulic Schematic, 010199A01	4
Filter Assembly, 004500A04	6
Coupler Assembly 1-1/4, 005349A01	7
Closed Face Control Assembly (Old Style)	
TBM 600, 019315A00	8
TBM 660 - 720 - 780, 026912A	10

TBM 600 (SN F19325F00-16 & AFTER) TBM 660 (SN F04410F00-8 & AFTER)
TBM720 (SN F20800F00-19 & AFTER) TBM 780 (SN F25000F-4 & AFTER)

Hydraulic Assembly & Schematic	
TBM 600, 029952A	13
TBM 660, 029953A	17
TBM 720, 029954A	21
TBM 780, 029955A	25
Dirt Wing Hydraulics	28
Speed Control Hydraulics	
TBM 600, 029901A	30
TBM 660 - 720 - 780	32
Conveyor Lift Hydraulics	34
Motor Valve Hydraulics	
TBM 600 - 660	36
TBM 720, 029970A	38
TBM 780, 029981A	40
Flow Divider Hydraulics	42
Filter Assembly Hydraulics	44
Filter Assembly, 029910A	46
HP TBM Filter Service Assembly, 029995A	47
Conveyor Valve Hydraulics	48
Conveyor Safety Valve Hydraulics	49
Manifold Hydraulics	50

(continued on next page)

Hydraulics (continued)

TBM 600 (SN F19325F00-16 & AFTER)
TBM720 (SN F20800F00-19 & AFTER)

TBM 660 (SN F04410F00-8 & AFTER)
TBM 780 (SN F25000F-4 & AFTER)

Hydraulic Assembly & Schematic (*continued*)

Drum Advance Hydraulics

TBM 600, 029902A	52
TBM 660, 029941A	54
TBM 720, 029967A	56
TBM 780, 029978A	58

Steering Hydraulics

TBM 600 - 660 - 720	60
TBM 780, 029979A	62

Control Valve Assembly	64
------------------------------	----

Hydraulic Control Linkage

TBM 600, 030020A	66
TBM 660, 030021A	68
TBM 720, 030022A	70
TBM 780, 030023A	72

Hose Clamp Assembly, 002262A	74
------------------------------------	----

Attachments

Closed Face Rotary Hub Hydraulic Assembly (New Style)

TBM 600 - 660, 027561A	76
TBM 720 - 780, 020985A	78

TBM Hydraulic Tunnel Lines	80
---	----

Intermediate Jacking Station

IJS Hydraulic Schematic	81
-------------------------------	----

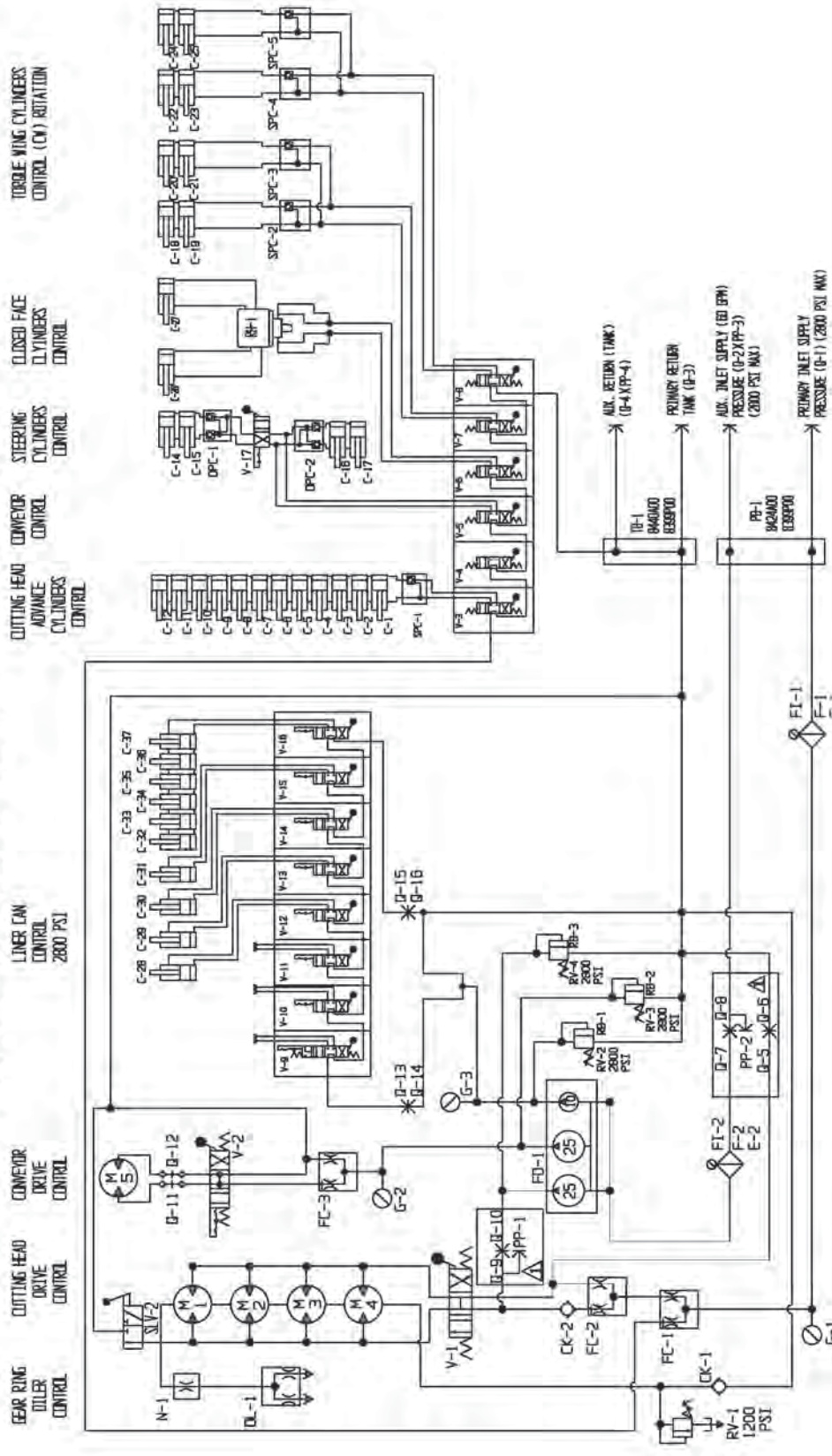
Hydraulic Winch, P0106-002	82
---	----

NOTES

HYDRAULIC SCHEMATIC, 010199A01

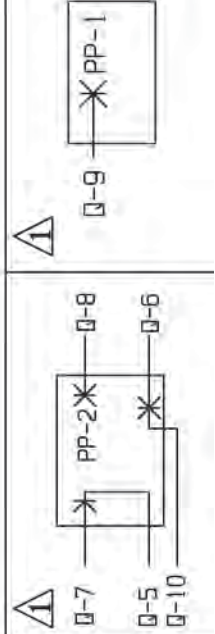
600: SN F19325F00-15 & Before; 660: SN F04410F00-7 & Before;
720: SN F20800F00-18 & Before; 780: SN F25000F-3 & Before

(10199A01) DUAL SUPPLY (60 OR 120 GPM)



PLUMBING OF SCHEMATIC IS SHOWN FOR DUAL LINE (120 GPM SUPPLY). SEE CONNECTION CHANGES, THEY MUST BE MADE TO RUN MACHINE WITH ONLY 60 GPM SUPPLY (SINGLE LINE SUPPLY). ALSO DISENGAGE MOTOR NO. 4 TO MAINTAIN THE PROPER SPEED FOR CUTTING & DUMPING OF THE MATERIALS.

FOR SINGLE SUPPLY (60 GPM), CONNECT COUPLER Q-5 TO Q-7. INSTALL PLUG PP-1 IN Q-8. INSTALL PLUG PP-2 IN Q-8. INSTALL PLUG PP-3 IN Q-2. INSTALL PLUG PP-4 IN Q-4.



HYDRAULIC SCHEMATIC, 010199A01
600: SN F19325F00-15 & Before; 660: SN F04410F00-7 & Before;
720: SN F20800F00-18 & Before; 780: SN F25000F-3 & Before

ITEM	QTY	PART NO.	DESCRIPTION
0	-	010199A01	SCHEMATIC, Hydraulic
C-1-12	REF	010747A00 *	CYLINDER, Advance
C-14-17	REF	010385A01 *	CYLINDER, Steering (600 - 660)
C-14-17	REF	020815A01 *	CYLINDER, Steering (720 [SN20800F] & 780 [SN25000F])
C-18-25	REF	014603A00 *	CYLINDER, Torque (Dirt) Wing (optional)
C-26-27	REF	019306A00 *	CYLINDER, Closed Face (600) (optional)
C-26-27	REF	018658A00 *	CYLINDER, Closed Face (660) (optional)
C-26-27	REF	020906A00 *	CYLINDER, Closed Face (720-780) (optional)
C-28-37	REF	011720A00 *	CYLINDER, Liner Can, 38" Stroke (optional)
C-28-37	REF	002617A01 *	CYLINDER, Liner Can, 30" Stroke (optional)
CK-1	1	P0302-101	VALVE, Check 1/4
CK-2	1	P0302-163	VALVE, Check 1-1/4
DPC-1,2	2	P0302-104	CHECK, Pilot (Double)
E-1-2	2	P0309-121	ELEMENT
F-1-2	2	004500A04 **	ASSEMBLY, Filter
FC-1-3	3	P0302-112 ^	VALVE, Flow Control
FD-1	1	P0303-163 ***	FLOW DIVIDER
FI-1-2	2	P0301-108	GAUGE, Filter Indicator
G-1-3	3	P0301-100	GAUGE, 5000 psi
M-1-4	REF	P0304-123 ****	MOTOR, TBM Drive
M5	REF	P0304-157 ****	MOTOR, Conveyor Drive (2415 Belt)
M5	REF	P0304-121 ****	MOTOR, Conveyor Drive (RB20)
M5	REF	P0304-145 ****	MOTOR, Conveyor Drive (140 & 160 Screw)
N-1	1	P0302-167	VALVE, Needle
OL-1	1	007968A00	OILER, Gear Ring (Includes item OL-1a)
OL-1a	1	P0300-144	PLUG, 1/8 Hex
PB-1	1	008385P00	PRESSURE MANIFOLD BLOCK
PP-1-3	3	008149A00	PRESSURE PLUG, Male
PP-2-4	3	008146P00	PRESSURE PLUG, Female
Q-1-10	8	005349A01 **	ASSEMBLY, Coupler 1-1/4
Q-11-16	2	P0100-004A	COUPLER, Female
Q-11-16	2	P0100-004B	COUPLER, Male
RB-1-3	3	010129P00	BODY, Relief Valve
RH-1	REF	018700A00 ^^	HUB, Rotary (Closed Face)
RV-1	1	P0302-103	VALVE, Relief 1200 psi
RV-2-4	3	P0302-144	VALVE, Relief 3000 psi
SPC-1-5	5	P0302-154	VALVE, Single Pilot Operated Check
SLV-2	1	P0302-183 ^	VALVE, Conveyor Control
TB-1	1	008386P00	BLOCK, Tank Manifold
V-1	1	007579A00 ^	VALVE, Motor (Inner Drum Drive)
V-2	1	P0302-109 ^	VALVE, Motor (Conveyor Drive)
V-3-8	1	P0302-260 ^	VALVE, TBM Control
V-9-16	8	P0302-388	VALVE, Ball (Liner Can Cylinders)
V-17	1	P0302-118 <	VALVE, Steering

* Refer to Section 10, Cylinders for parts information.

** Refer to this section for parts information.

*** Refer to Section 9, Pumps for parts information.

**** Refer to Section 8, Motors for parts information.

^ Refer to Section 7, Valves for parts information.

^^ Refer to Section 3, Structural for parts information.

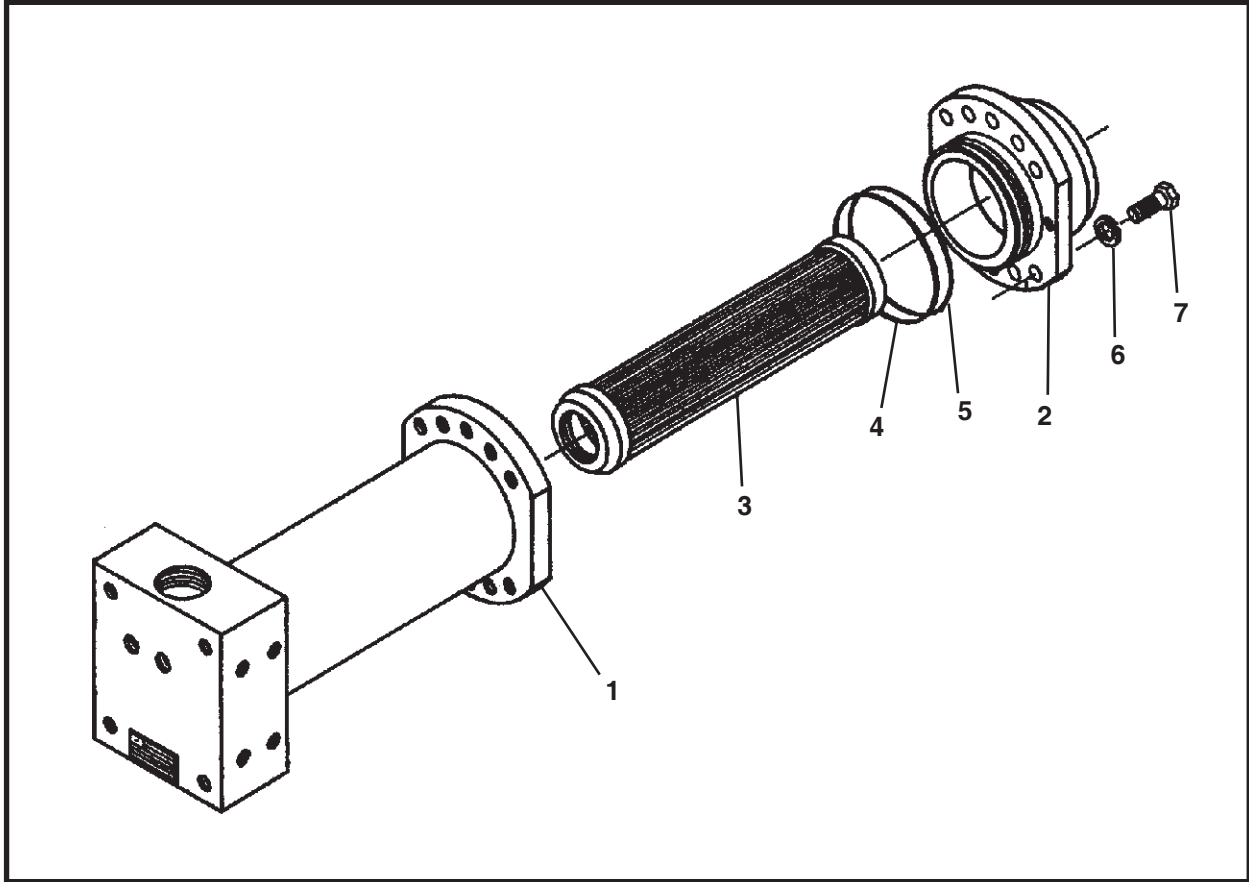
< Refer to Section 7, Valves for parts information. Be sure load check balls are removed before operation.

Contact your Akkerman Aftermarket Support representative for more information.

FILTER ASSEMBLY, 004500A04

600: SN F19325F00-15 & Before; 660: SN F04410F00-7 & Before;

720: SN F20800F00-18 & Before; 780: SN F25000F-3 & Before

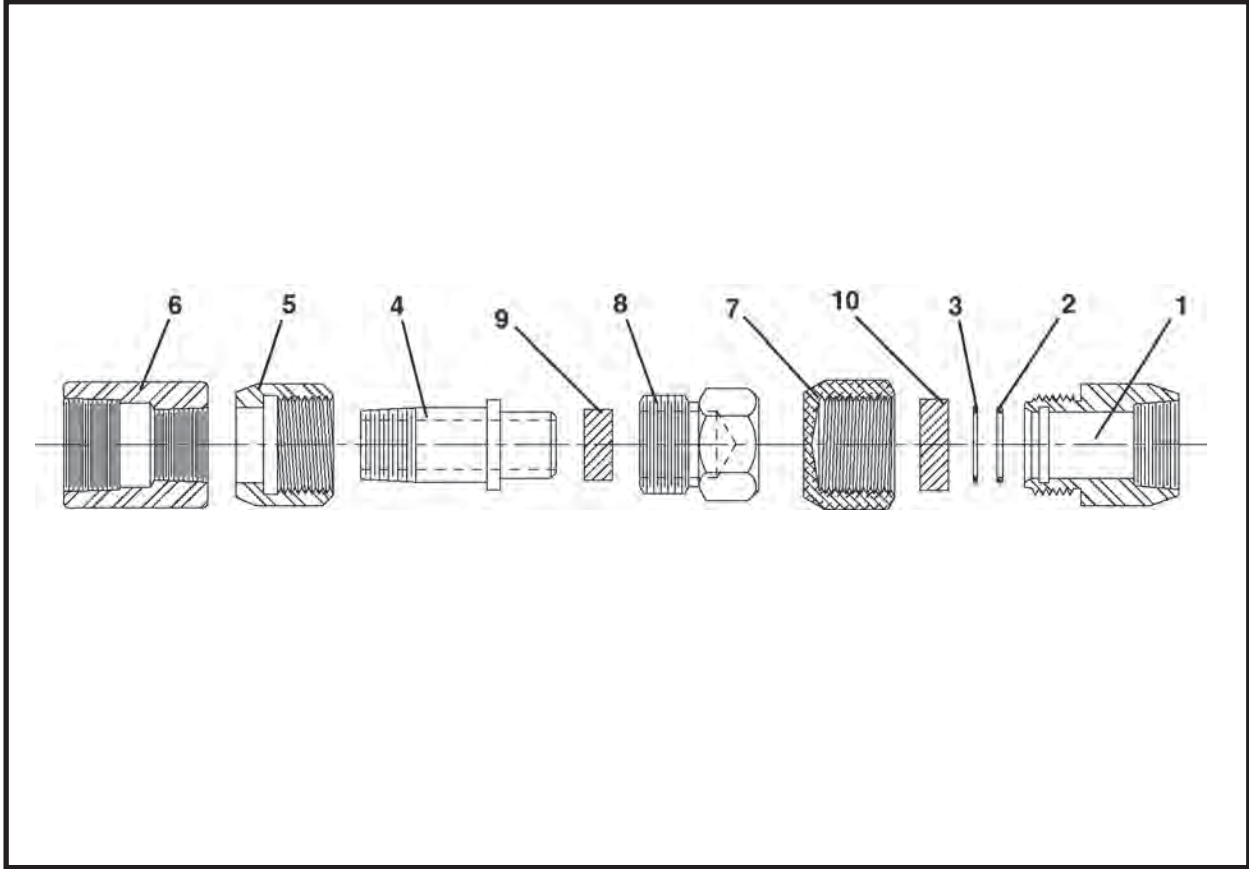


ITEM	QTY	PART NO.	DESCRIPTION
0	1	004500A04	ASSEMBLY, Filter
1	1	007965A01	HOUSING, Filter
2	1	007966P01	COVER, Filter
3	1	P0309-121	ELEMENT, Filter
4*	1	P0085-156	ORING
5*	1	P0084-156	ORING, Back Up
6	10	P0045-008	WASHER, Lock 1/2
7	10	P0001-08-010	BOLT, 1/2 UNC x 2.5
8*	REF	008190A00	KIT, Seal
9**	REF	P0301-108	GAUGE, Indicator

* Included in item 8, Seal Kit, 008190A00.

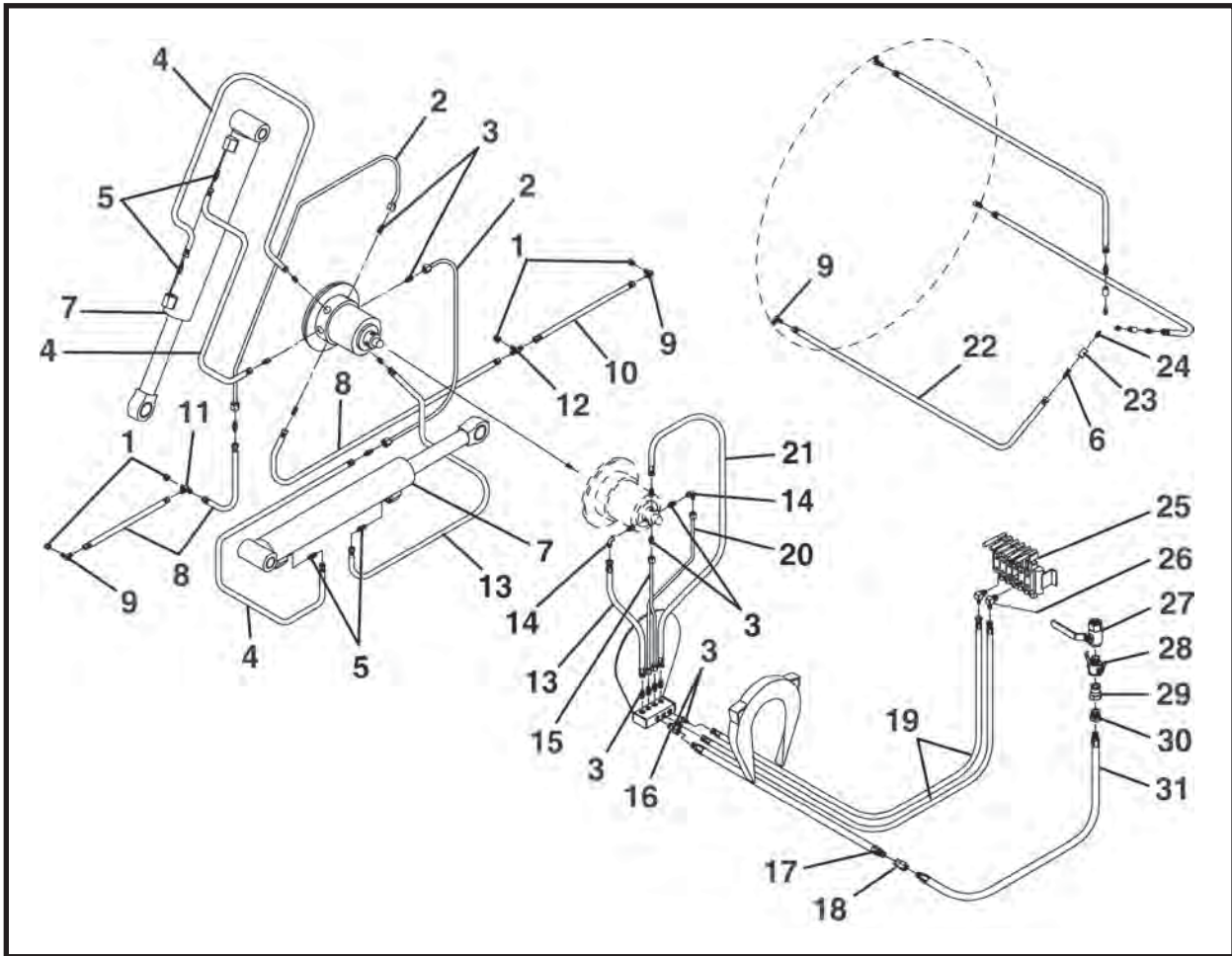
** Not Shown

1-1/4" COUPLER ASSEMBLY, 005349A01
600: SN F19325F00-15 & Before; 660: SN F04410F00-7 & Before;
720: SN F20800F00-18 & Before; 780: SN F25000F-3 & Before



ITEM	QTY	PART NO.	DESCRIPTION
0	1	005349A01	ASSEMBLY, Coupler 1-1/4"
1	1	005348P00	COUPLER, Female
2	1	P0085-123	ORING
3	1	P0084-123	RING, Back Up
4	1	004899P00	COUPLER UNION
5	1	004901P00	COUPLER
6	1	P0421-012	REDUCER
7	1	007002P02	CAP, Coupler
8	1	005350P03	CAP, Coupler
9	1	007087P00	PLUG, Rubber
10	1	007086P00	PLUG, Rubber

CLOSED FACE CONTROL ASSEMBLY, 019315A00
600 CLOSED FACE (OLD STYLE)



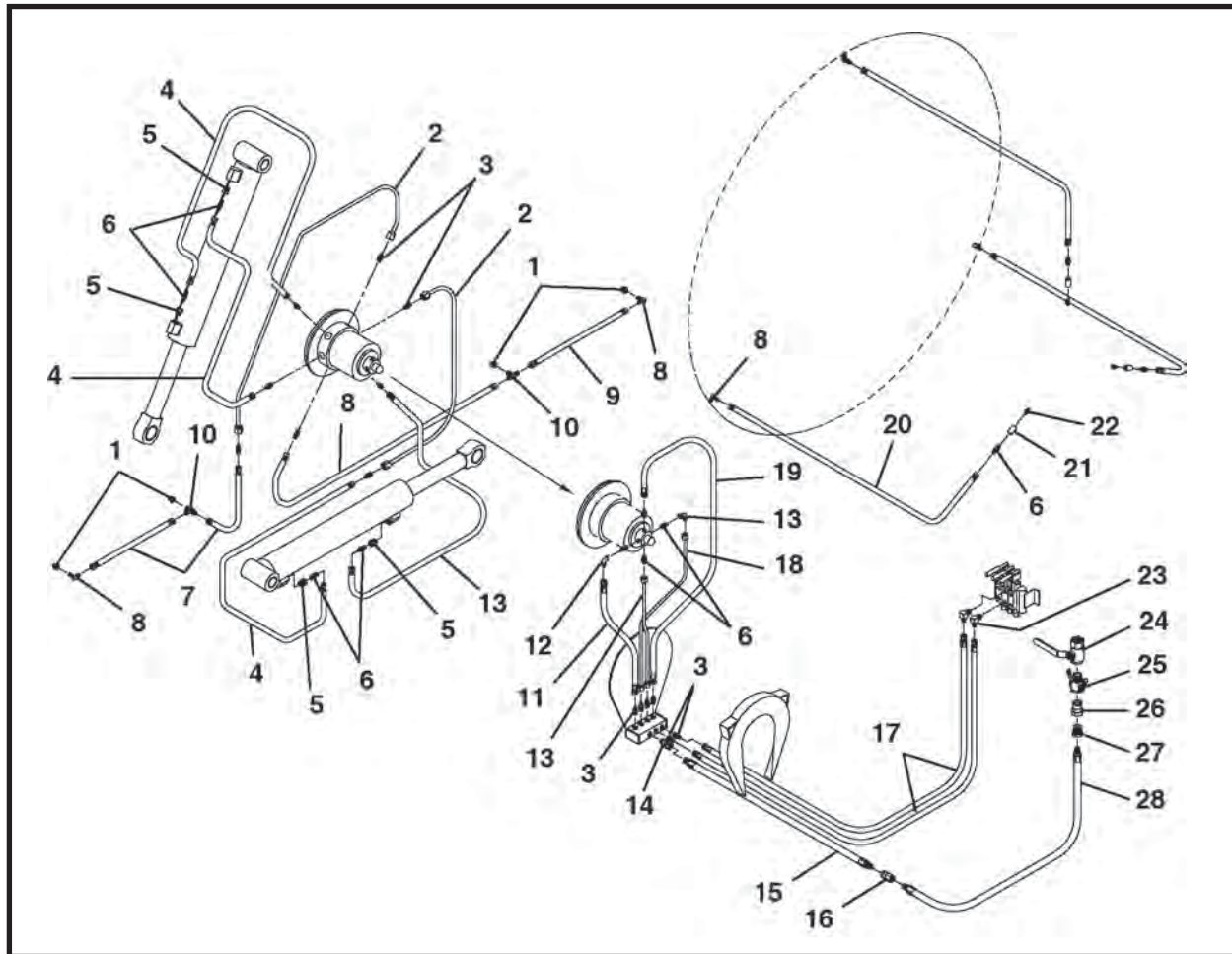
ITEM	QTY	PART NO.	DESCRIPTION
0	1	019315A00	ASSEMBLY, Closed Face Control
1	4	P0300-067	BUSHING, Reducer
2	2	P0110-106	TUBING, Steel Hydraulic
3	12	P0300-041	CONNECTOR
4	3	P0506-036	HOSE, 3/8 x 36
5	4	P0300-269	FITTING, 06MJ-08MB
6	3	P0300-121	FITTING, 06MJ-04MP
7	REF	REF	ASSEMBLY, Cylinder
8	2	P0506-012	HOSE, 3/8 x 12
9	5	P0300-125	ELBOW, 90 Degree
10	1	P0506-018	HOSE, 3/8 x 18
11	1	P0300-132	TEE
12	1	P0300-132	TEE
13	1	P0506-038	HOSE, 3/8 x 38
14	2	P0300-123	ADAPTER, 90 Degree
15	1	P0110-106	TUBING, Hydraulic Steel 3/8 x 8
16	1	P0300-010	SWIVEL
17	1	P0508-084	HOSE, 1/2 x 84
18	1	P0300-059	SWIVEL
19	2	P0506-090	HOSE, 3/8 x 90
20	1	P0110-106	TUBING, 3/8 x 10

CLOSED FACE CONTROL ASSEMBLY, 019315A00
600 CLOSED FACE (OLD STYLE)

ITEM	QTY	PART NO.	DESCRIPTION
21	1	P0506-020	HOSE, 3/8 x 20
22	3	P0506-048	HOSE, 3/8 x 48
23	3	P0400-001	COUPLING
24	3	P0063-016	FITTING, Grease
25	1	REF	VALVE, Control
26	2	P0300-042	ELBOW, 90 Degree
27	1	P0302-231	VALVE, Ball
28	1	P0100-023	SOCKET, MPT
29	1	P0100-024	PLUG
30	1	P0300-078	BUSHING, Reducer 1 x 1/2
31	1	P0508-036	HOSE, 1/2 x 36

CLOSED FACE CONTROL ASSEMBLY, 026912A

660 - 720 - 780 CLOSED FACE (OLD STYLE)



ITEM	QTY	PART NO.	DESCRIPTION
0	1	026912A	ASSEMBLY, Closed Face Control
1	4	P0300-067	BUSHING, Reducer
2	3	P0110-106	TUBING, Steel Hydraulic
3	12	P0300-041	CONNECTOR
4	3	P0506-036	ASSEMBLY, Hose 3/8 x 36
5*	4	*018736P00	PLUG
6*	8	P0300-121	FITTING, 06MJ-04MP
7	2	P0506-012	HOSE, 3/8 x 12
8	5	P0300-125	ELBOW, 90 Degree
9	1	P0506-018	HOSE, 3/8 x 18
10	2	P0300-132	TEE
11	1	P0506-038	HOSE, 3/8 x 38
12	2	P0300-123	ADAPTER, 90 Degree
13	1	P0110-106	TUBING, Hydraulic Steel 3/8 x 8
14	1	P0300-010	SWIVEL
15	1	P0508-084	HOSE, 1/2 x 84
16	1	P0300-059	SWIVEL
17	2	P0506-090	HOSE, 3/8 x 90
18	1	P0110-106	TUBING, 3/8 x 10
19	1	P0506-020	HOSE, 3/8 x 20
20	3	P0506-048	HOSE, 3/8 x 48

CLOSED FACE CONTROL ASSEMBLY, 026912A
660 - 720 - 780 CLOSED FACE (OLD STYLE)

ITEM	QTY	PART NO.	DESCRIPTION
21	3	P0400-001	COUPLING
22	3	P0063-016	FITTING, Grease
23	2	P0300-042	ELBOW, 90 Degree
24	1	P0302-231	VALVE, Ball
25	1	P0100-023	SOCKET, NPT
26	1	P0100-024	PLUG
27	1	P0300-078	BUSHING, Reducer 1 x 1/2
28	1	P0508-036	HOSE, 1/2 x 36

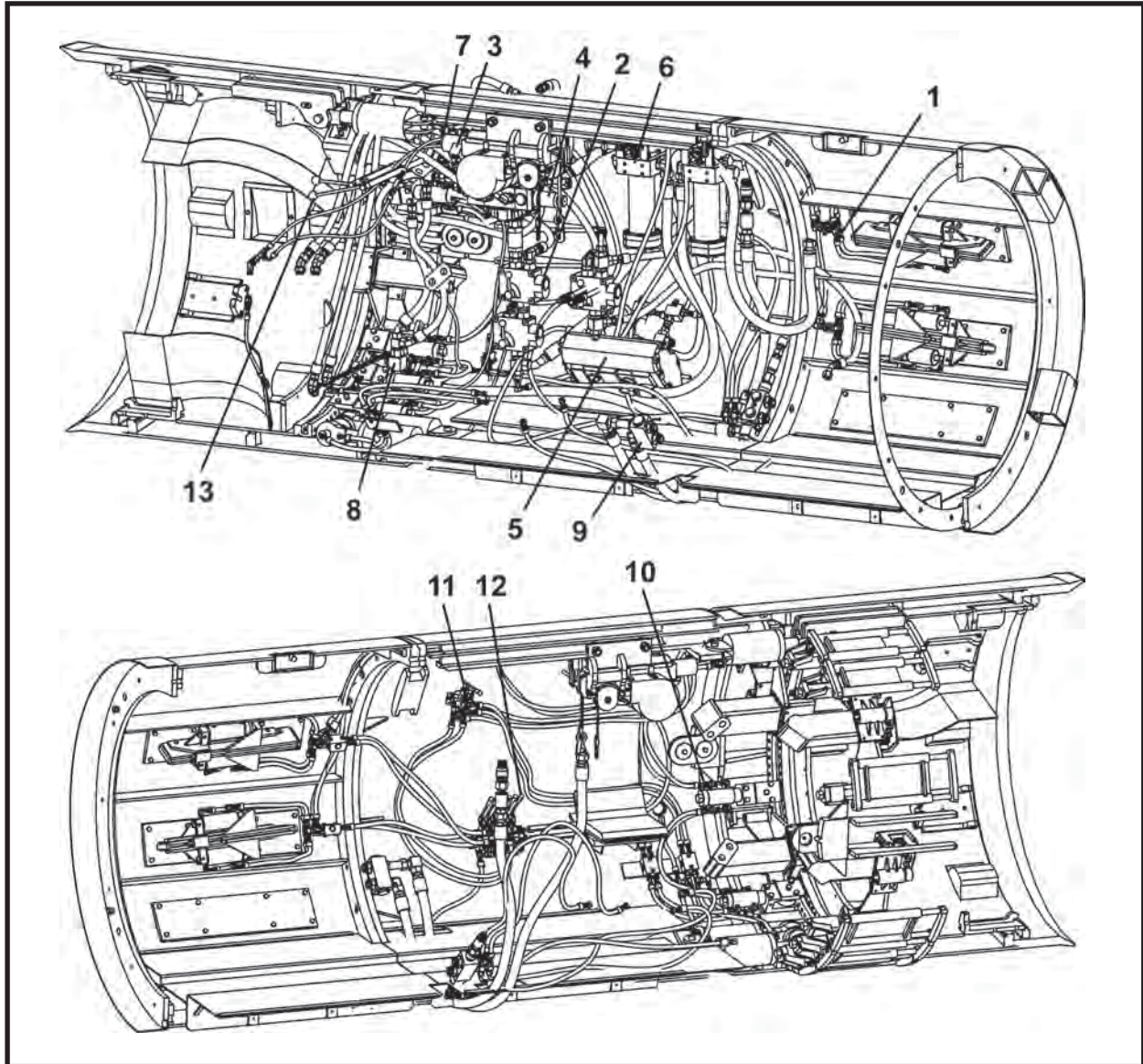
Note: Cylinders shown for reference only.

* If replacing item 5 018736P00, Plug, replace both items 5 and 6 with P0300-269, Fitting 06MJ-08MB.

NOTES

HYDRAULIC ASSEMBLY & SCHEMATIC 600, 029952A

600: SN F19325F00-16 & After

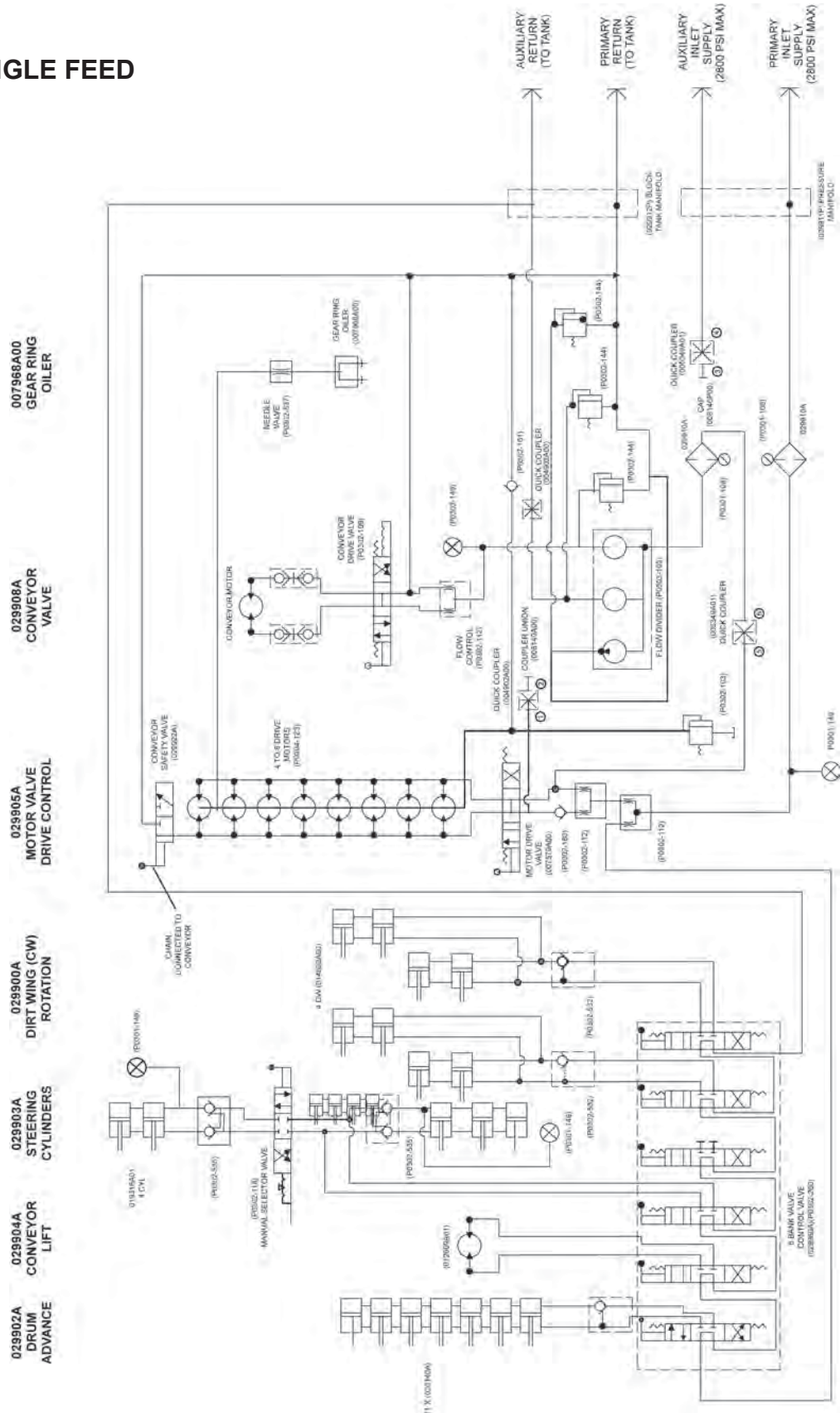


ITEM	QTY	PART NO.	DESCRIPTION
0	1	029952A	HYDRAULIC ASSEMBLY & SCHEMATIC 600
1	1	029900A	HYDRAULICS, DIRT WING
2	1	029901A	HYDRAULICS, Speed Control
3	1	029904A	HYDRAULICS, Conveyor Lift
4	1	029905A	HYDRAULICS, Motor Valve
5	1	029906A	HYDRAULICS, Flow Divider
6	1	029907A	HYDRAULICS, Filter
7	1	029908A	HYDRAULICS, Conveyor Valve
8	1	029922A	HYDRAULICS, Conveyor Safety Valve
9	1	029925A	HYDRAULICS, Manifold
10	1	029902A	HYDRAULICS, Drum Advance
11	1	029903A	HYDRAULICS, Steering
12	1	029960A	CONTROL VALVE ASSEMBLY
13	1	030020A	LINKAGE, Hydraulic Control
14*	1	002262A	CLAMP, Hose

* Not Shown

HYDRAULIC ASSEMBLY & SCHEMATIC 600, 029952A
600: SN F19325F00-16 & After

SINGLE FEED



HYDRAULIC ASSEMBLY & SCHEMATIC 600, 029952A

600: SN F19325F00-16 & After

DUAL FEED

007968A00
GEAR RING
OILER

029908A
CONVEYOR
VALVE

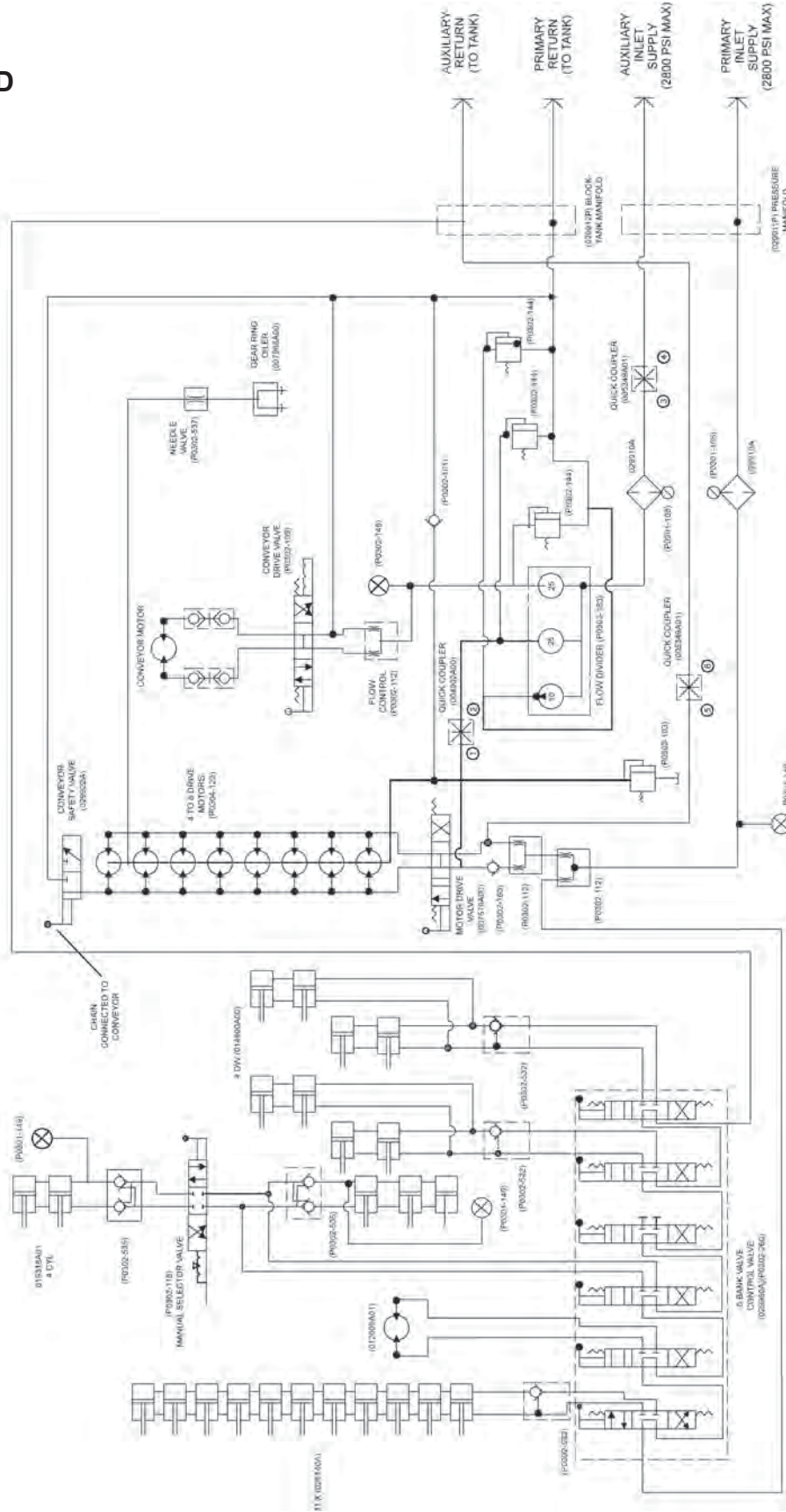
029905A
MOTOR VALVE
DRIVE CONTROL

029900A
DIRT WING (CW)
ROTATION

029903A
STEERING
CYLINDERS

029904A
CONVEYOR
LIFT

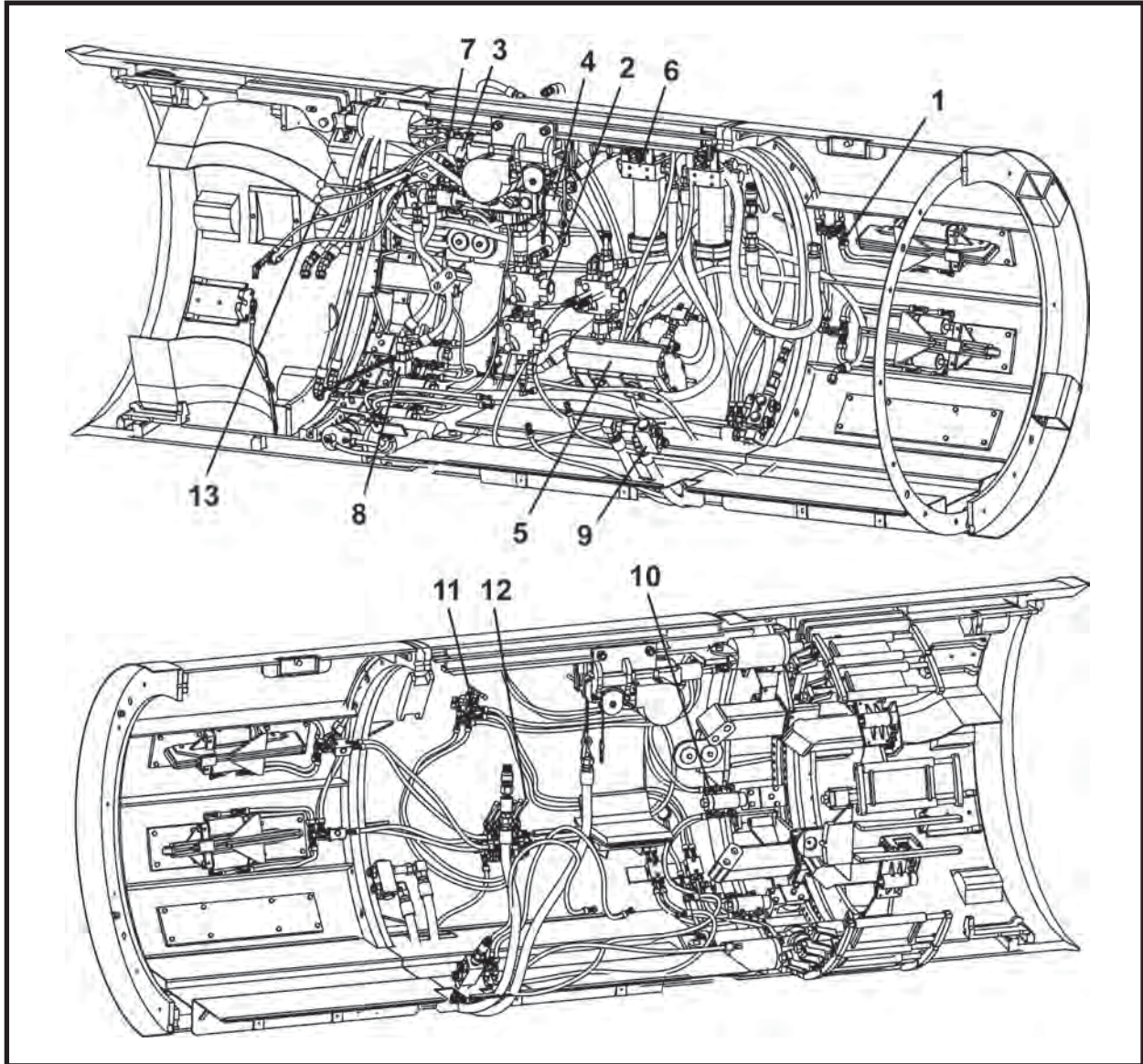
029902A
DRUM
ADVANCE



NOTES

HYDRAULIC ASSEMBLY & SCHEMATIC 660, 029953A

660: SN F04410F00-8 & After



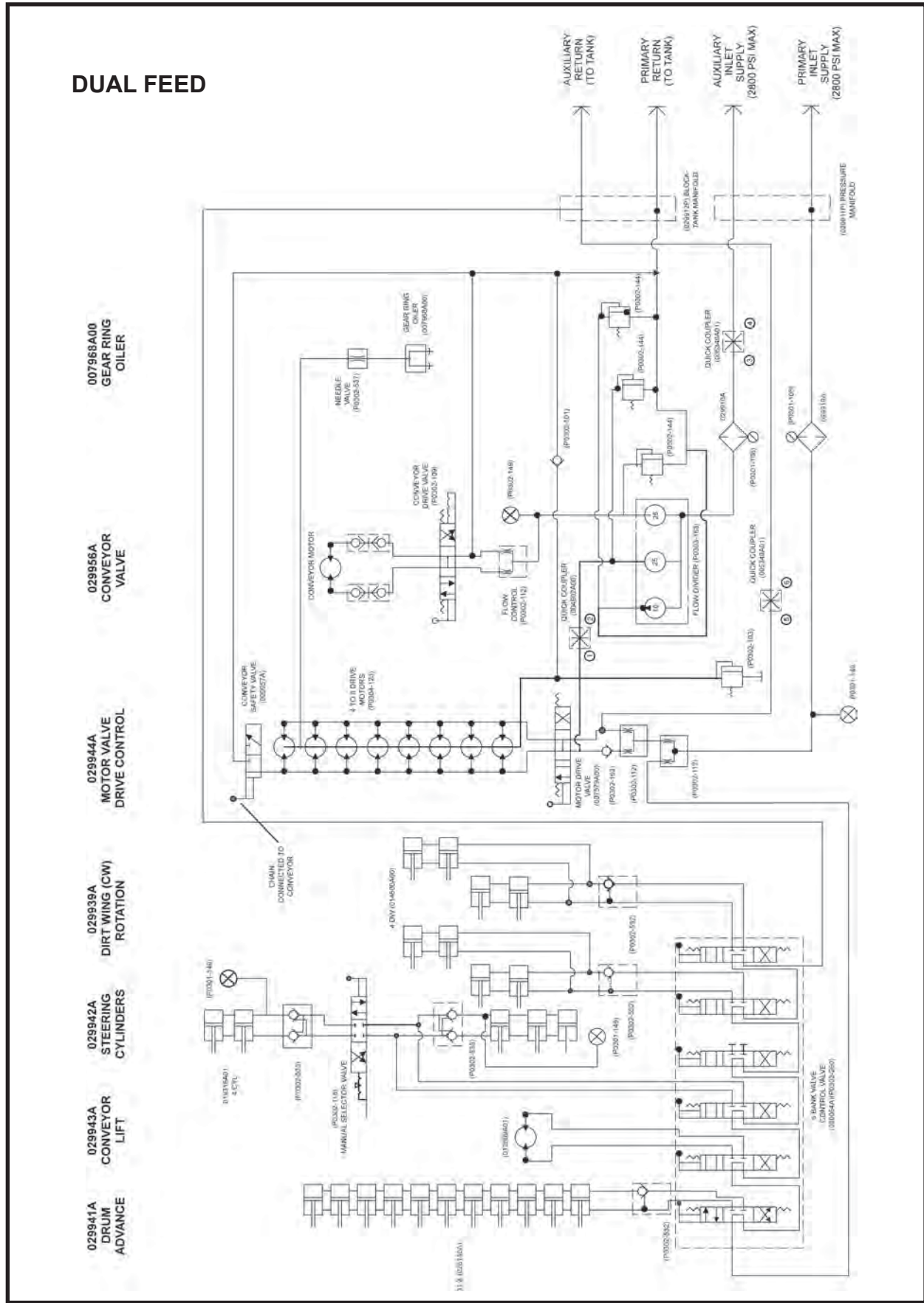
ITEM	QTY	PART NO.	DESCRIPTION
0	1	029953A	HYDRAULIC ASSEMBLY & SCHEMATIC 660
1	1	029939A	HYDRAULICS, DIRT WING
2	1	029940A	HYDRAULICS, Speed Control
3	1	029943A	HYDRAULICS, Conveyor Lift
4	1	029944A	HYDRAULICS, Motor Valve
5	1	029945A	HYDRAULICS, Flow Divider
6	1	029946A	HYDRAULICS, Filter
7	1	029956A	HYDRAULICS, Conveyor Valve
8	1	029957A	HYDRAULICS, Conveyor Safety Valve
9	1	029958A	HYDRAULICS, Manifold
10	1	029941A	HYDRAULICS, Drum Advance
11	1	029942A	HYDRAULICS, Steering
12	1	030054A	CONTROL VALVE ASSEMBLY
13	1	030021A	LINKAGE, Hydraulic Control
14*	1	002262A	CLAMP, Hose

* Not Shown

HYDRAULIC ASSEMBLY & SCHEMATIC 660, 029953A

660: SN F04410F00-8 & After

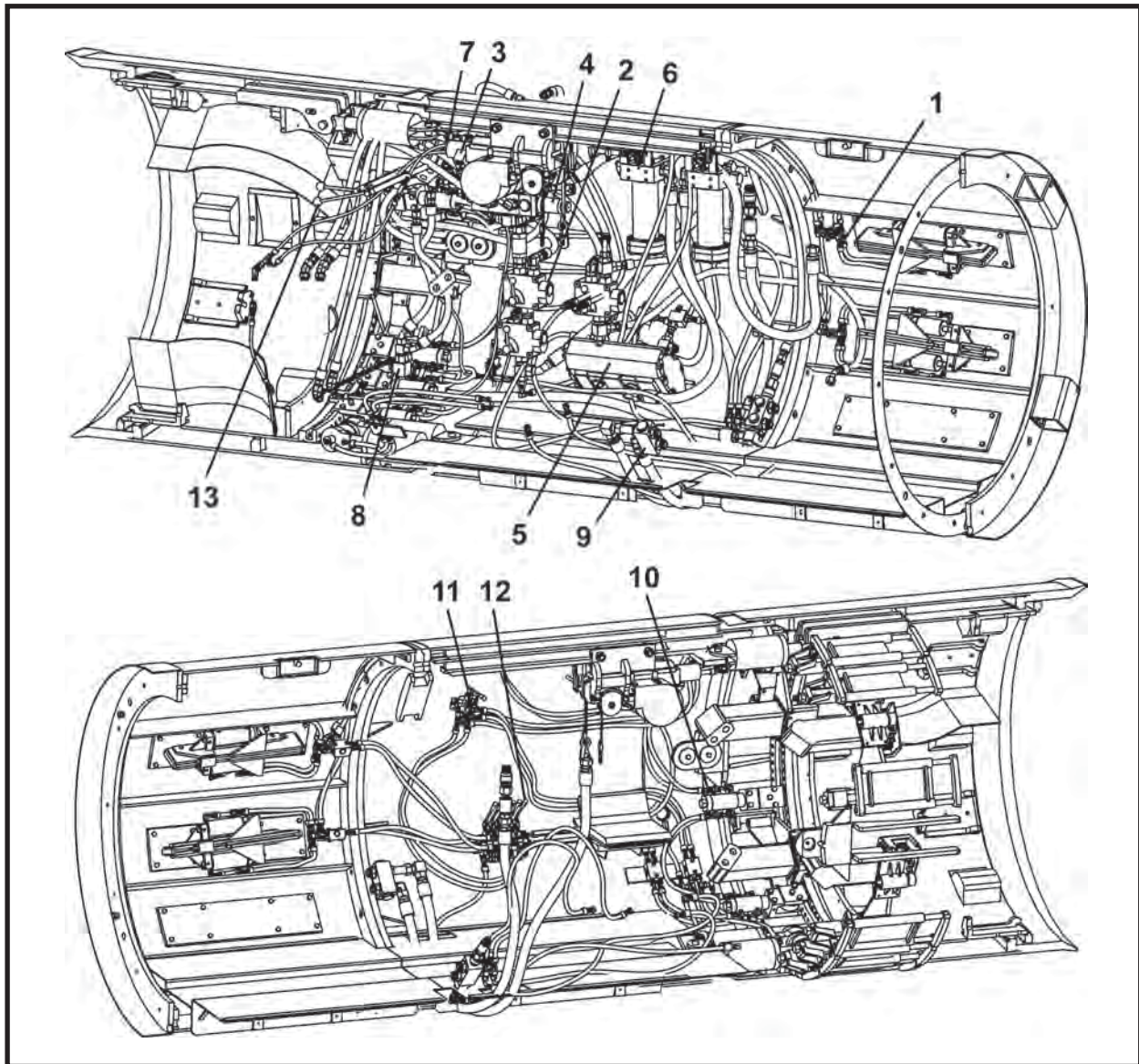
DUAL FEED



NOTES

HYDRAULIC ASSEMBLY & SCHEMATIC 720, 029954A

720: SN F20800F00-19 & After



ITEM	QTY	PART NO.	DESCRIPTION
0	1	029954A	HYDRAULIC ASSEMBLY & SCHEMATIC 720
1	1	029965A	HYDRAULICS, DIRT WING
2	1	029966A	HYDRAULICS, Speed Control
3	1	029969A	HYDRAULICS, Conveyor Lift
4	1	029970A	HYDRAULICS, Motor Valve
5	1	029971A	HYDRAULICS, Flow Divider
6	1	029972A	HYDRAULICS, Filter
7	1	029973A	HYDRAULICS, Conveyor Valve
8	1	029974A	HYDRAULICS, Conveyor Safety Valve
9	1	029975A	HYDRAULICS, Manifold
10	1	029967A	HYDRAULICS, Drum Advance
11	1	029968A	HYDRAULICS, Steering
12	1	029924A	CONTROL VALVE ASSEMBLY
13	1	030022A	LINKAGE, Hydraulic Control
14*	1	002262A	CLAMP, Hose

* Not Shown

NOTE: An Inner Drum Motor Option, 029994A is available. Refer to Section 3, Structurals for parts information.

HYDRAULIC ASSEMBLY & SCHEMATIC 720, 029954A

720: SN F20800F00-19 & After

SINGLE FEED

007968A00
GEAR RING
OILER

029973A
CONVEYOR
VALVE

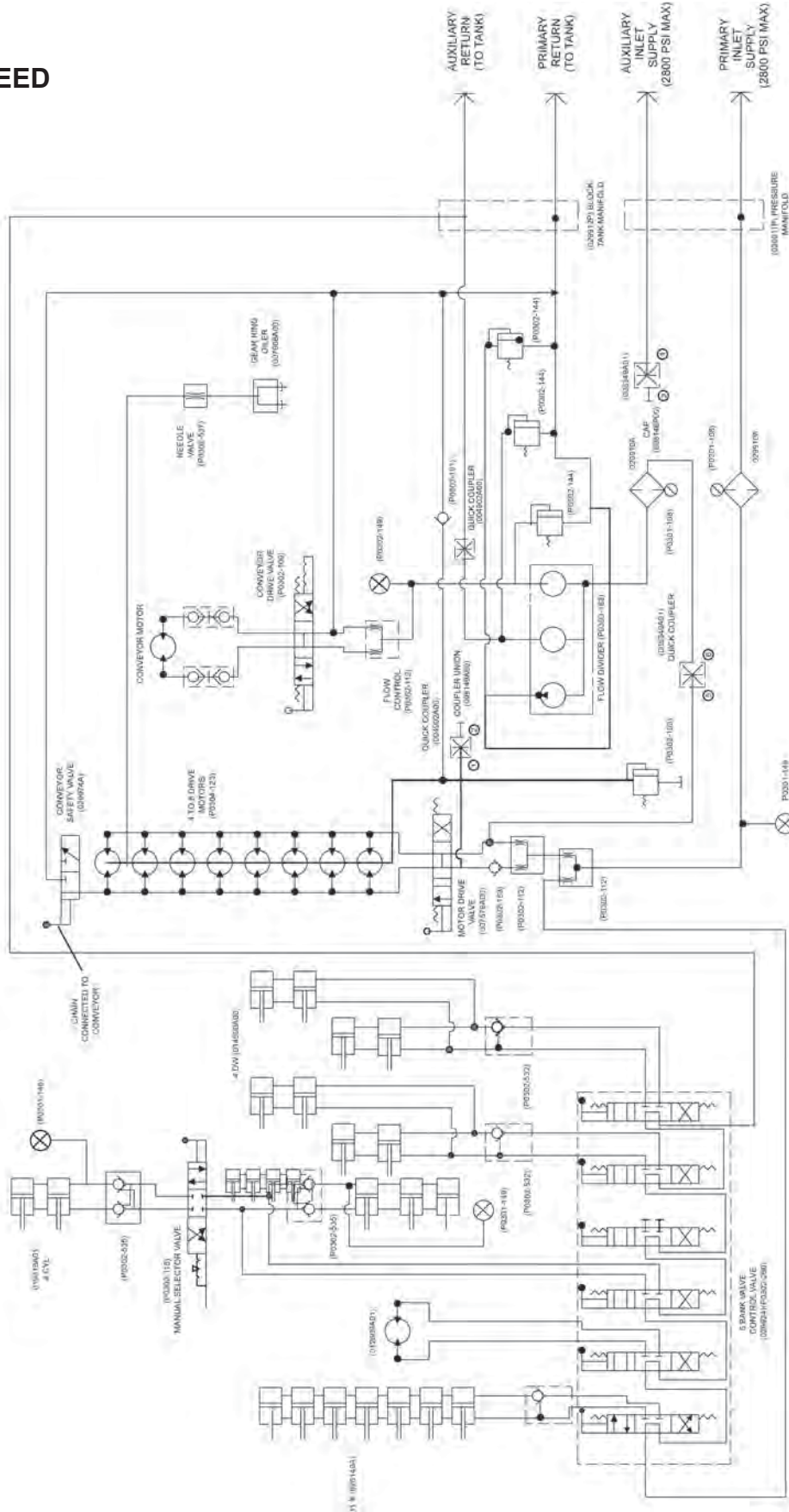
029970A
MOTOR VALVE
DRIVE CONTROL

029965A
DIRT WING (CW)
ROTATION

029968A
STEERING
CYLINDERS

029969A
CONVEYOR
LIFT

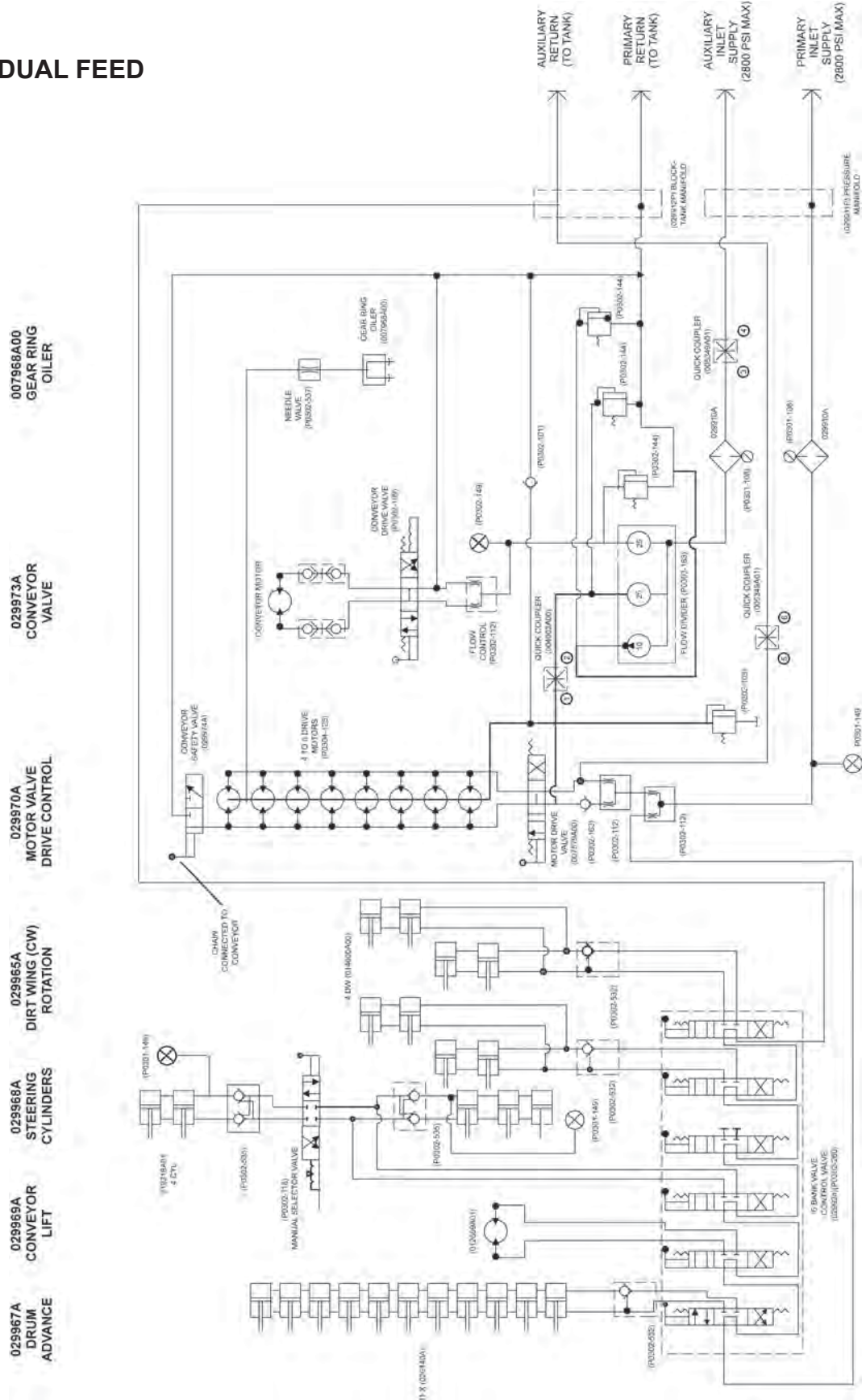
029967A
DRUM
ADVANCE



HYDRAULIC ASSEMBLY & SCHEMATIC 720, 029954A

720: SN F20800F00-19 & After

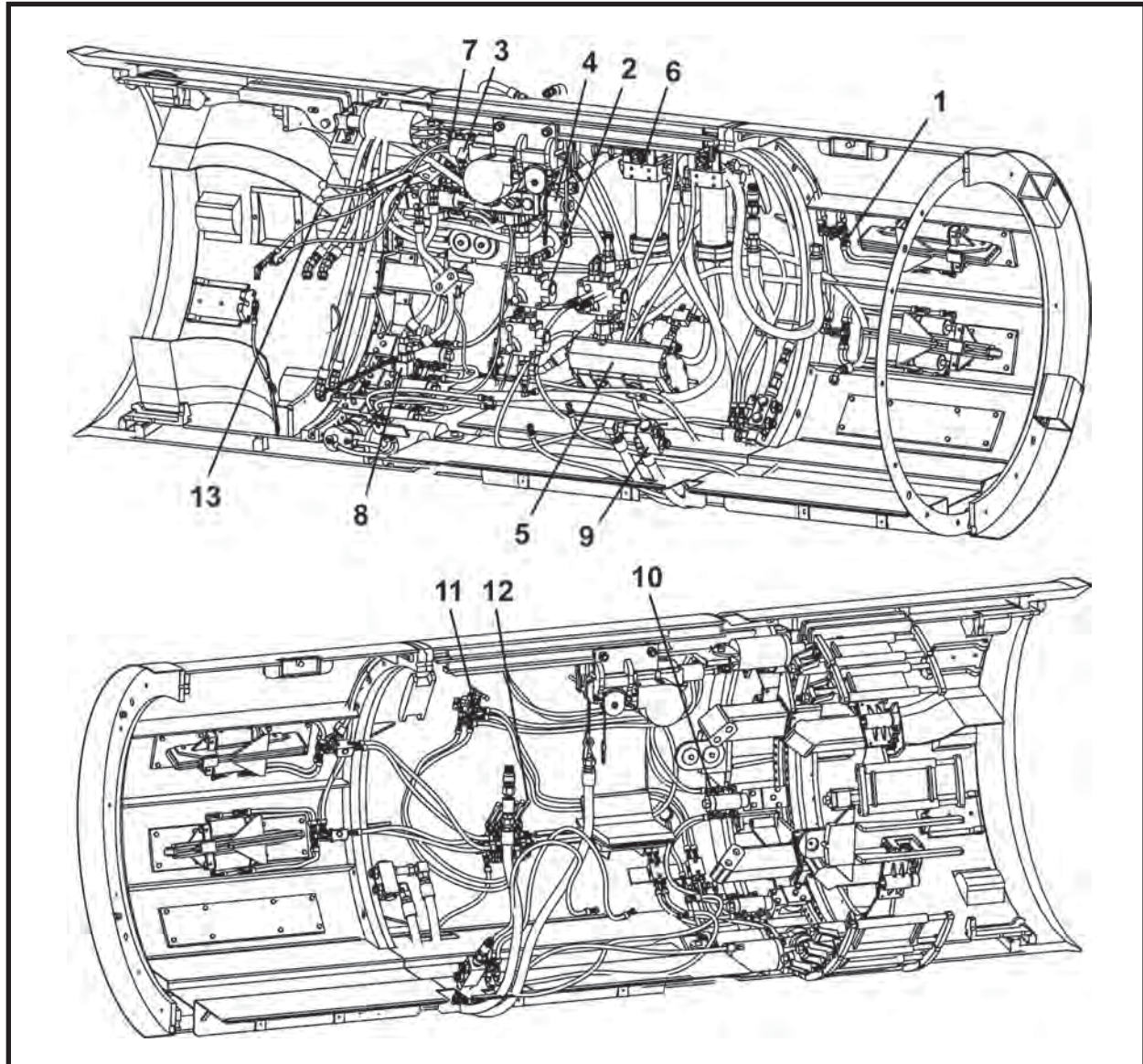
DUAL FEED



NOTES

HYDRAULIC ASSEMBLY & SCHEMATIC 780, 029955A

780: SN F2500F-4 & After



ITEM	QTY	PART NO.	DESCRIPTION
0	1	029955A	HYDRAULIC ASSEMBLY & SCHEMATIC 780
1	1	029976A	HYDRAULICS, DIRT WING
2	1	029977A	HYDRAULICS, Speed Control
3	1	029980A	HYDRAULICS, Conveyor Lift
4	1	029981A	HYDRAULICS, Motor Valve
5	1	029982A	HYDRAULICS, Flow Divider
6	1	029983A	HYDRAULICS, Filter
7	1	029984A	HYDRAULICS, Conveyor Valve
8	1	029985A	HYDRAULICS, Conveyor Safety Valve
9	1	029986A	HYDRAULICS, Manifold
10	1	029978A	HYDRAULICS, Drum Advance
11	1	029979A	HYDRAULICS, Steering
12	1	029924A	CONTROL VALVE ASSEMBLY
13	1	030022A	LINKAGE, Hydraulic Control
14*	1	002262A	CLAMP, Hose

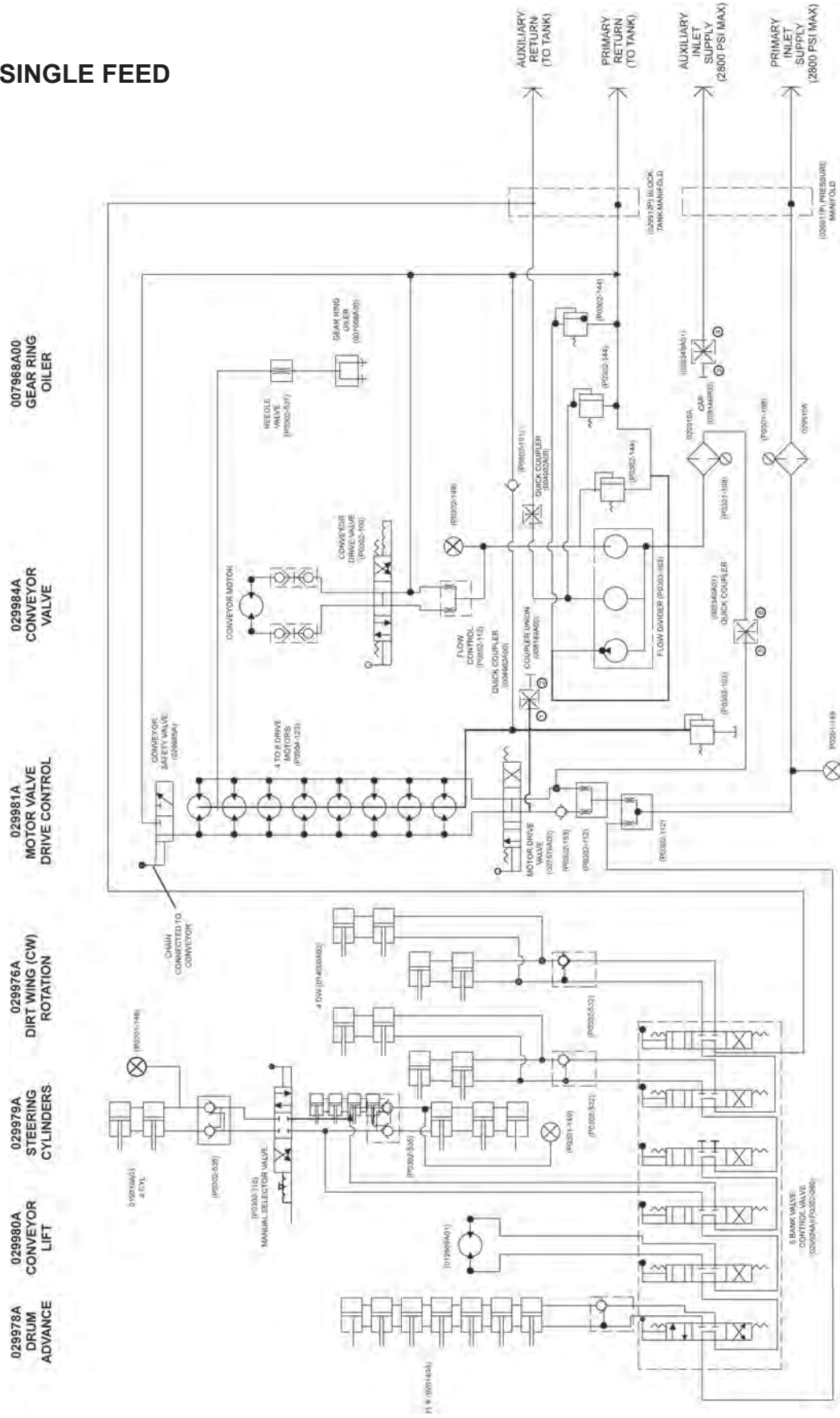
* Not Shown

NOTE: An Inner Drum Motor Option, 029987A is available. Refer to Section 3, Structurals for parts information.

HYDRAULIC ASSEMBLY & SCHEMATIC 780, 029955A

780: SN F2500F-4 & After

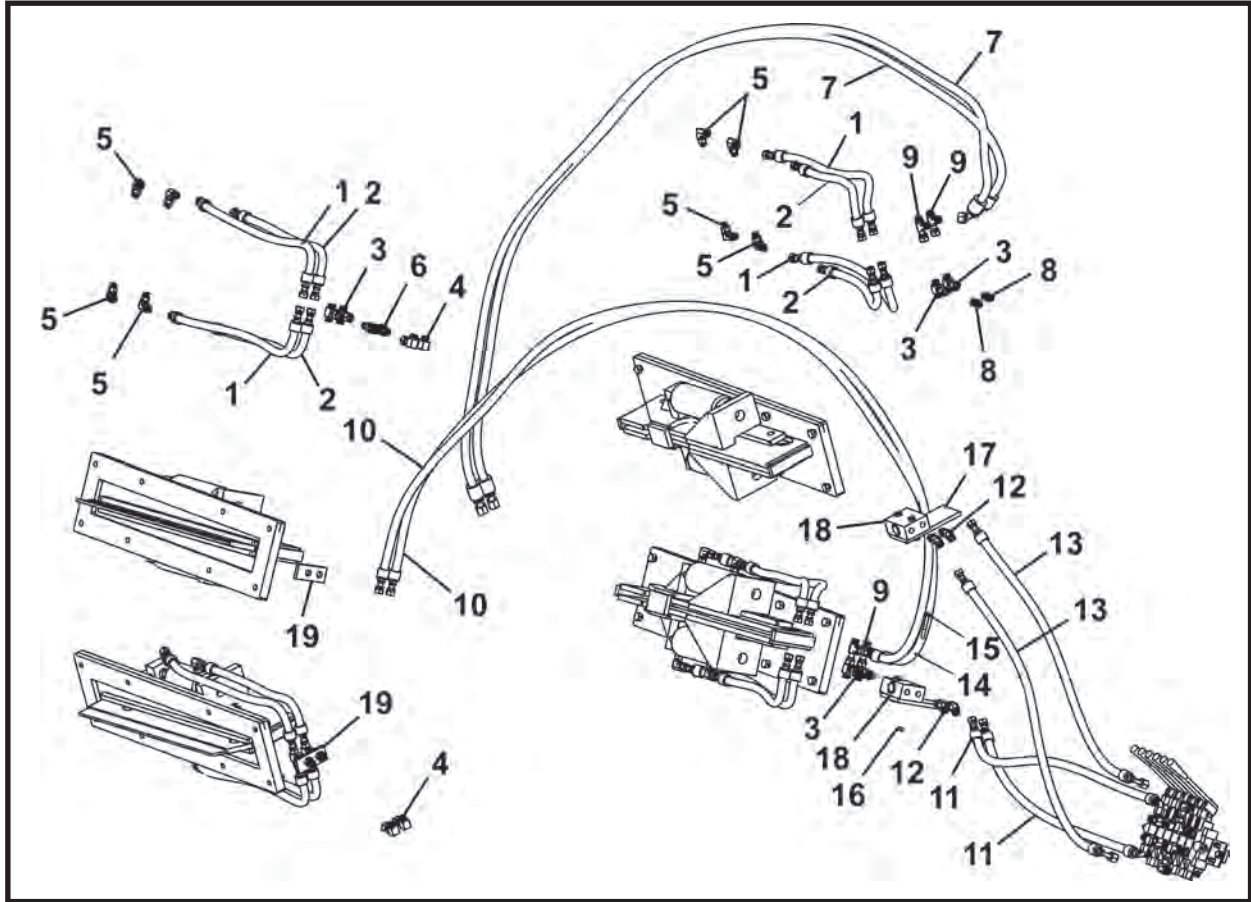
SINGLE FEED



DIRT WING HYDRAULICS

600: SN F19325F-16 & After; 660: SN F04410F-8 & After;

720: SN F20800F-19 & After; 780: SN F25000F-4 & After

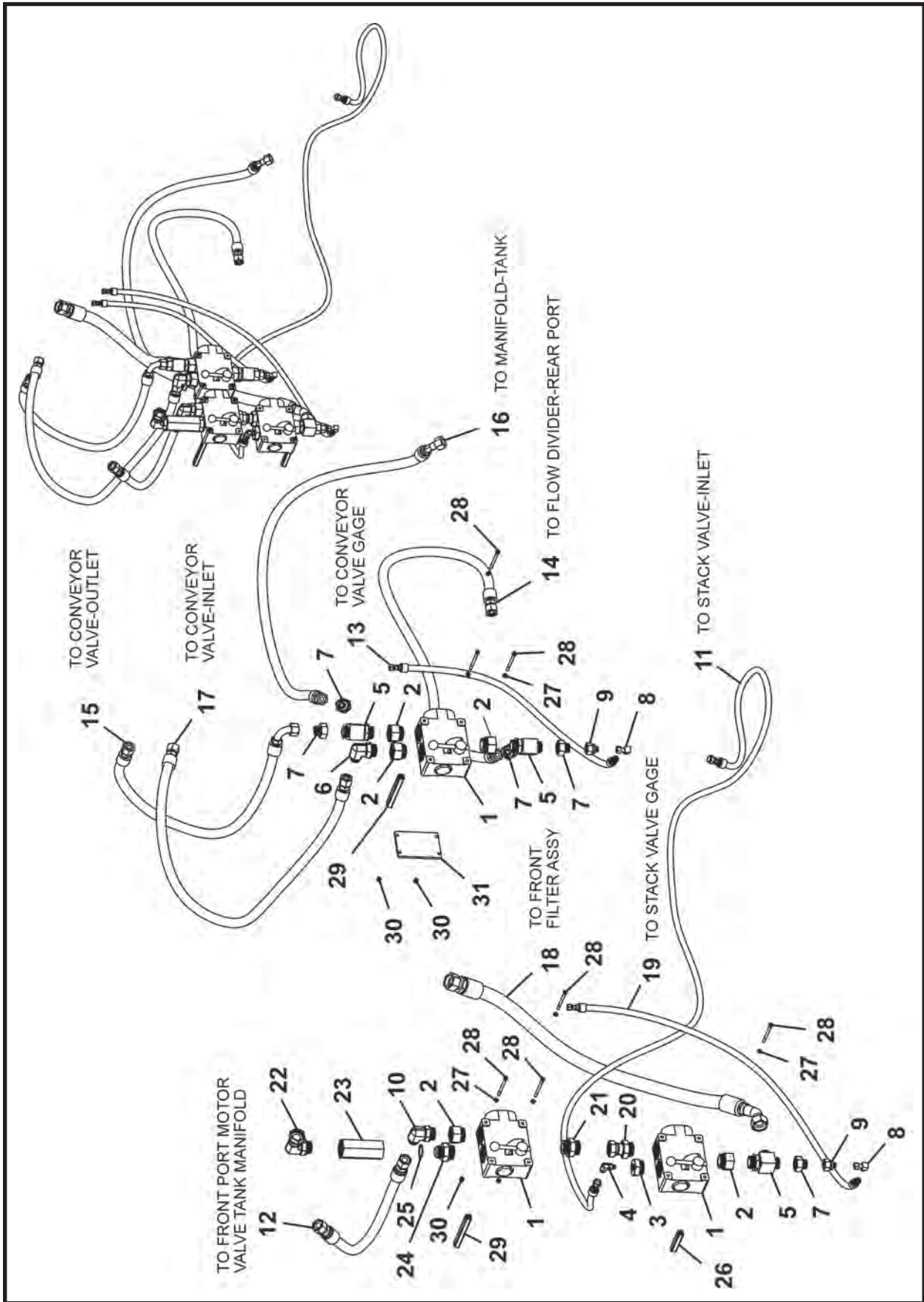


ITEM	QTY	600 PART NO.	660 PART NO.	720 PART NO.	780 PART NO.	DESCRIPTION
0	1	029900A	029939A	029965A	029976A	DIRT WING HYDRAULICS
1	8	A10313A- <u>025</u>	A10313A- <u>022</u>	A10313A- <u>022</u>	A10313A- <u>022</u>	HOSE ASSEMBLY, 3/8 x ___
2	8	A10313A-017	A10313A-017	A10313A-017	A10313A-017	HOSE ASSEMBLY, 3/8 x 17
3	8	P0303-602	P0303-602	P0303-602	P0303-602	FITTING, 06MFOR-06MFOR-06FFORX
4	4	P0300-603	P0300-603	P0300-603	P0300-603	FITTING, 06MFOR-06FFORX90
5	16	P0300-355	P0300-355	P0300-355	P0300-355	FITTING, 06MFOR-06MB90
6	4	P0300-604	P0300-604	P0300-604	P0300-604	FITTING, 06MFOR-06MFOR
7	2	A10082A- <u>111</u>	A10082A- <u>115</u>	A10082A- <u>120</u>	A10082A- <u>128</u>	HOSE ASSEMBLY, 3/8 x ___
8	4	P0300-356	P0300-356	P0300-356	P0300-356	FITTING, 06MFOR-06MB
9	4	P0300-613	P0300-613	P0300-613	P0300-613	FITTING, 06MFOR-06FFORX-06MFOR
10	2	A10313A- <u>120</u>	A10313A- <u>126</u>	A10313A- <u>132</u>	A10313A- <u>140</u>	HOSE ASSEMBLY, 3/8 x ___
11	2	A10079A-031	A10079A-031	A10079A-031	A10079A-031	HOSE ASSEMBLY, 3/8 x 31
12	4	P0300-612	P0300-612	P0300-612	P0300-612	FITTING, 06MFOR-06MB45
13	2	A10079A-040	A10079A-040	A10079A-040	A10079A-040	HOSE ASSEMBLY, 3/8 x 40
14	4	P0045-005	P0045-005	P0045-005	P0045-005	WASHER, Lock 5/16
15	4	P0001-05-009	P0001-05-009	P0001-05-009	P0001-05-009	BOLT, 5/16 UNC x 2.25
16	4	P0003-05-000	P0003-05-000	P0003-05-000	P0003-05-000	NUT, 5/16
17	2	029913P	029913P	029913P	029913P	PLATE
18	2	P0302-532	P0302-532	P0302-532	P0302-532	VALVE, Check
19	2	029914P	029914P	029914P	029914P	PLATE

NOTES

SPEED CONTROL HYDRAULICS 600, 029901A

600: SN F19325F00-16 & After



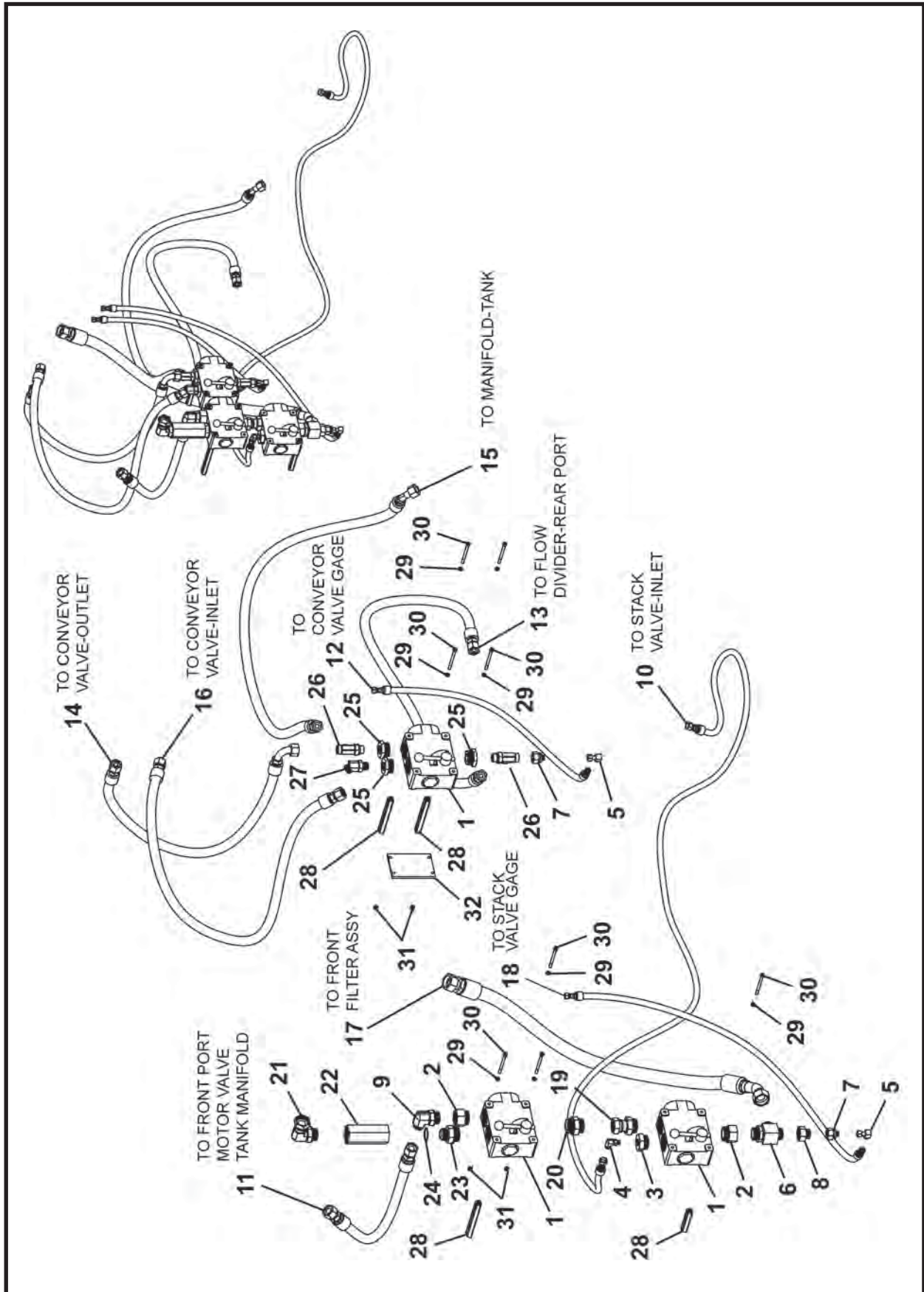
SPEED CONTROL HYDRAULICS 600, 029901A
600: SN F19325F00-16 & After

ITEM	QTY	PART NO.	DESCRIPTION
0	1	029901A	HYDRAULICS, SPEED CONTROL 600
1*	3	P0302-533	VALVE, Flow Control
2	5	P0300-161	FITTING, 24MB-20FB
3	1	P0300-674	FITTING, 24MB-6FB
4	1	P0300-355	FITTING, 06MFOR-06MB90
5	3	P0300-548	FITTING, 20MFFOR-20MB-20MFFOR
6	1	P0300-608	FITTING, 12MFFOR-20MB90
7	5	P0300-609	FITTING, 20FFOR-12MFOR
8	2	P0300-603	FITTING, 06MFOR-06FFORX90
9	2	P0300-610	FITTING, 12FFOR-06MFOR
10	1	P0300-450	FITTING, 16MFOR-20MB90
11	1	A10308A-128	HOSE ASSEMBLY, 3/8 x 128
12	1	A10063A-030	HOSE ASSEMBLY, 1 x 30
13	1	A10313A-029	HOSE ASSEMBLY, 3/8 x 29
14	1	A10437A-030	HOSE ASSEMBLY, 3/4 x 30
15	1	A10436A-039	HOSE ASSEMBLY, 3/4 x 39
16	1	A09951A-068	HOSE ASSEMBLY, 3/4 x 68
17	1	A10437A-065	HOSE ASSEMBLY, 3/4 x 65
18	1	A10081A-039	HOSE ASSEMBLY, 1-1/4 x 39
19	1	A10313A-044	HOSE ASSEMBLY, 3/8 x 44
20	1	P0300-685	FITTING, 24MB-24FFORX
21	1	P0300-686	FITTING, 24MFFOR-24MB
22	1	P0300-624	FITTING, 20FFORX-20MB90
23	1	P0302-500	VALVE, Check
24	1	P0300-684	FITTING, 20MJ-24MB
25	1	P0085-920	ORING
26	1	030515A	STANDOFF
27	7	P0045-005	WASHER, Lock 5/16
28	7	P0031-05-013	SCREW, Socket Head Cap 5/16 UNC x 3.75
29	2	030517A	STANDOFF
30	4	P0003-05-000	NUT, 5/16
31	1	030092P	PLATE, Connector

* Refer to Section 7, Valves for parts information.

SPEED CONTROL HYDRAULICS 660 - 720 - 780

660: SN F04410F00-8 & After; 720: SN F20800F00-19 & After; 780: SN F25000F-4 & After



SPEED CONTROL HYDRAULICS 660 - 720 - 780

660: SN F04410F00-8 & After; 720: SN F20800F00-19 & After; 780: SN F25000F-4 & After

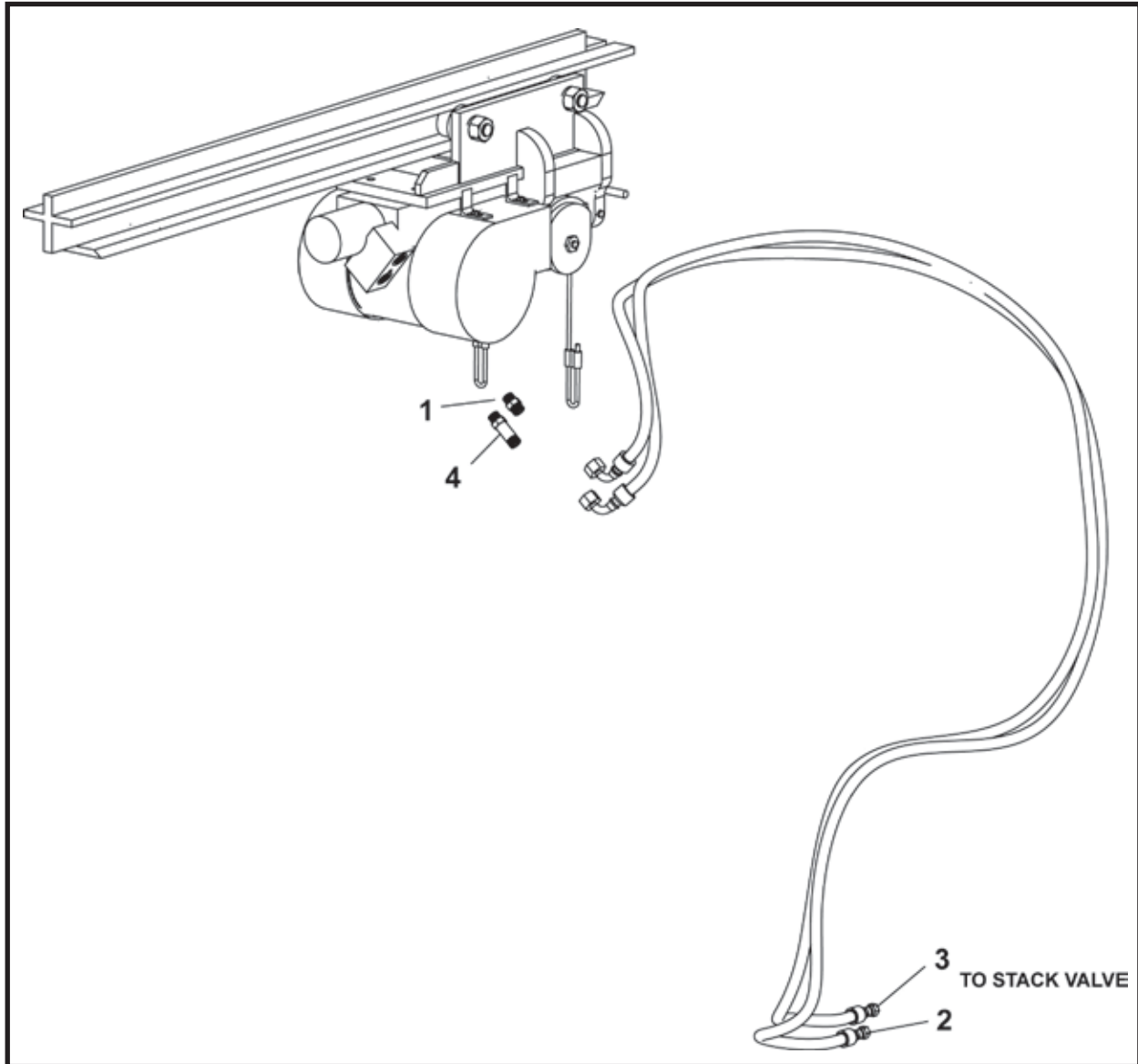
ITEM	QTY	660	720	780	DESCRIPTION
		PART NO.	PART NO.	PART NO.	
0	1	029940A	029966A	029977A	HYDRAULICS, Speed Control
1*	3	P0302-533	P0302-533	P0302-533	VALVE, Flow Control
2	2	P0300-161	P0300-161	P0300-161	FITTING, 24MB-20FB
3	1	P0300-674	P0300-674	P0300-674	FITTING, 24MB-6FB
4	1	P0300-355	P0300-355	P0300-355	FITTING, 06MFOR-06MB90
5	2	P0300-603	P0300-603	P0300-603	FITTING, 06MFOR-06FFORX90
6	1	P0300-548	P0300-548	P0300-548	FITTING, 20MFFOR-20MB-20MFFOR
7	2	P0300-610	P0300-610	P0300-610	FITTING, 12FFOR-06MFOR
8	1	P0300-609	P0300-609	P0300-609	FITTING, 20FFOR-12MFOR
9	1	P0300-450	P0300-450	P0300-450	FITTING, 16MFOR-20MB90
10	1	A10308A- <u>148</u>	A10308A- <u>150</u>	A10308A- <u>150</u>	HOSE ASSEMBLY, 3/8 x ___
11	1	A10063A- <u>030</u>	A10063A- <u>030</u>	A10063A- <u>036</u>	HOSE ASSEMBLY, 1 x ___
12	1	A10313A- <u>040</u>	A10313A- <u>040</u>	A10313A- <u>046</u>	HOSE ASSEMBLY, 3/8 x ___
13	1	A10437A- <u>034</u>	A10437A- <u>034</u>	A10437A- <u>040</u>	HOSE ASSEMBLY, 3/4 x ___
14	1	A10436A- <u>042</u>	A10436A- <u>045</u>	A10436A- <u>050</u>	HOSE ASSEMBLY, 3/4 x ___
15	1	A09951A- <u>071</u>	A09951A- <u>074</u>	A09951A- <u>080</u>	HOSE ASSEMBLY, 3/4 x ___
16	1	A10437A- <u>068</u>	A10437A- <u>070</u>	A10437A- <u>078</u>	HOSE ASSEMBLY, 3/4 x ___
17	1	A10081A- <u>039</u>	A10081A- <u>043</u>	A10081A- <u>086</u>	HOSE ASSEMBLY, 1-1/4 x ___
18	1	A10313A- <u>056</u>	A10313A- <u>056</u>	A10313A- <u>062</u>	HOSE ASSEMBLY, 3/8 x ___
19	1	P0300-685	P0300-685	P0300-685	FITTING, 24MB-24FFORX
20	1	P0300-686	P0300-686	P0300-686	FITTING, 24MFFOR-24MB
21	1	P0300-624	P0300-624	P0300-624	FITTING, 20FFORX-20MB90
22	1	P0302-500	P0302-500	P0302-500	VALVE, Check
23	1	P0300-684	P0300-684	P0300-684	FITTING, 20MJ-24MB
24	1	P0085-920	P0085-920	P0085-920	ORING
25	3	P0300-678	P0300-678	P0300-678	FITTING, 24MB-12FB
26	2	P0300-579	P0300-579	P0300-579	FITTING, 12MFS-12MAORB-12MFS
27	1	P0300-359	P0300-359	P0300-359	FITTING, 12MFOR-12MB45
28	4	030497A	030498A	030499A	STANDOFF
29	8	P0045-005	P0045-005	P0045-005	WASHER, Lock 5/16
30	8	P0031-05-013	P0031-05-013	P0031-05-013	SCREW, Socket Head Cap 5/16 x 3.75
31	4	P0003-05-000	P0003-05-000	P0003-05-000	NUT, 5/16
32	1	030092P	030092P	030092P	PLATE, Connector

* Refer to Section 7, Valves for parts information.

CONVEYOR LIFT HYDRAULICS

600: SN F19325F-16 & After; 660: SN F04410F-8 & After;

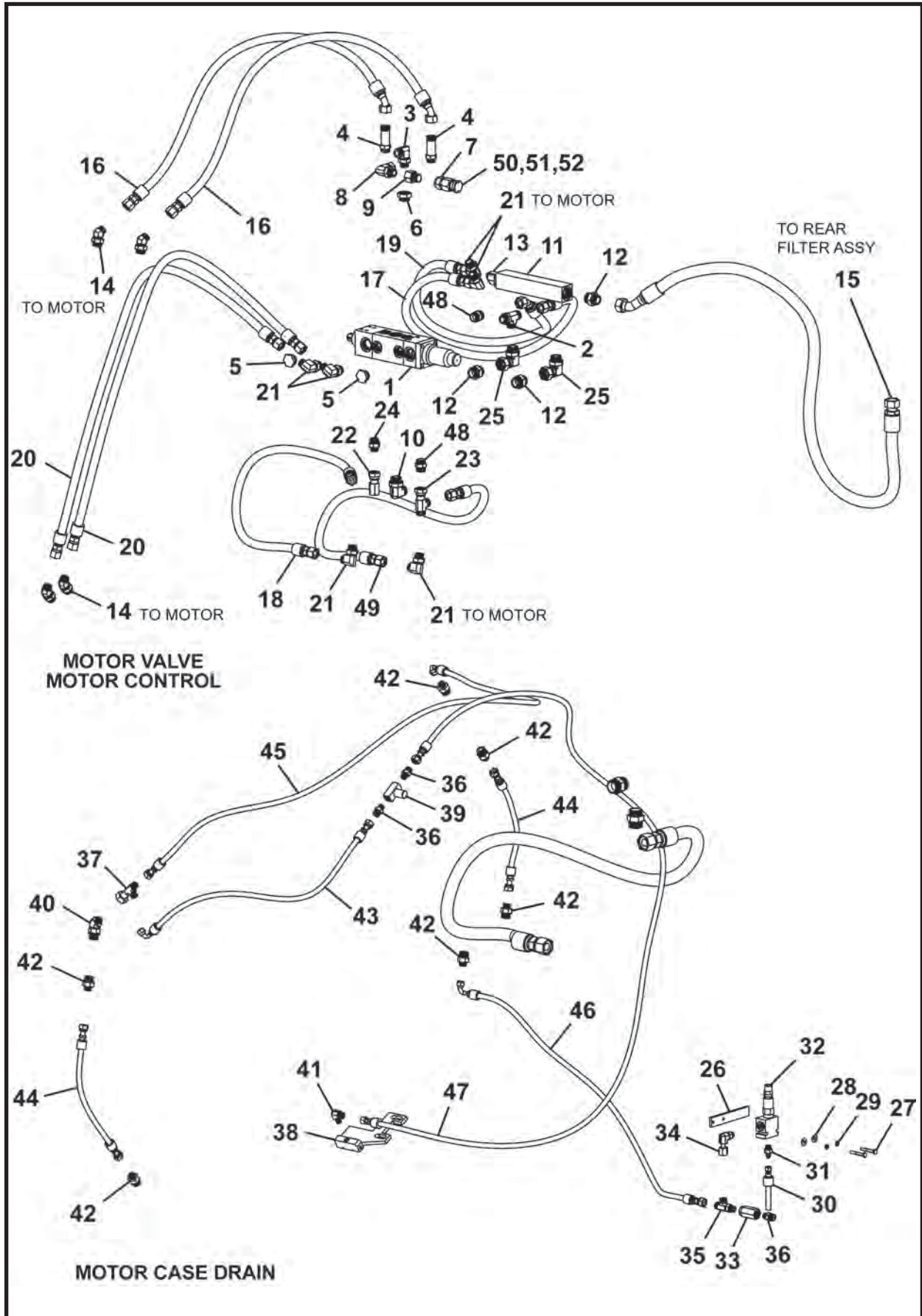
720: SN F20800F-19 & After; 780: SN F25000F-4 & After



ITEM	QTY	600 PART NO.	660 PART NO.	720 PART NO.	780 PART NO.	DESCRIPTION
0	1	029904A	029943A	029969A	029980A	HYDRAULICS, Conveyor Lift
1	1	P0300-305	P0300-305	P0300-305	P0300-305	FITTING, 08MFOR-08MB
2	1	A10366A- <u>138</u>	A10366A- <u>142</u>	A10366A- <u>146</u>	A10366A- <u>152</u>	HOSE ASSEMBLY, 3/8 x ____
3	1	A10366A- <u>135</u>	A10366A- <u>138</u>	A10366A- <u>140</u>	A10366A- <u>146</u>	HOSE ASSEMBLY, 3/8 x ____
4	1	P0300-400	P0300-400	P0300-400	P0300-400	FITTING, 08MFOR-08MB

NOTES

MOTOR VALVE HYDRAULICS 600 - 660
 600: SN F19325F00-16 & After; 660: SN F04410F00-8 & After



MOTOR VALVE HYDRAULICS 600 - 660

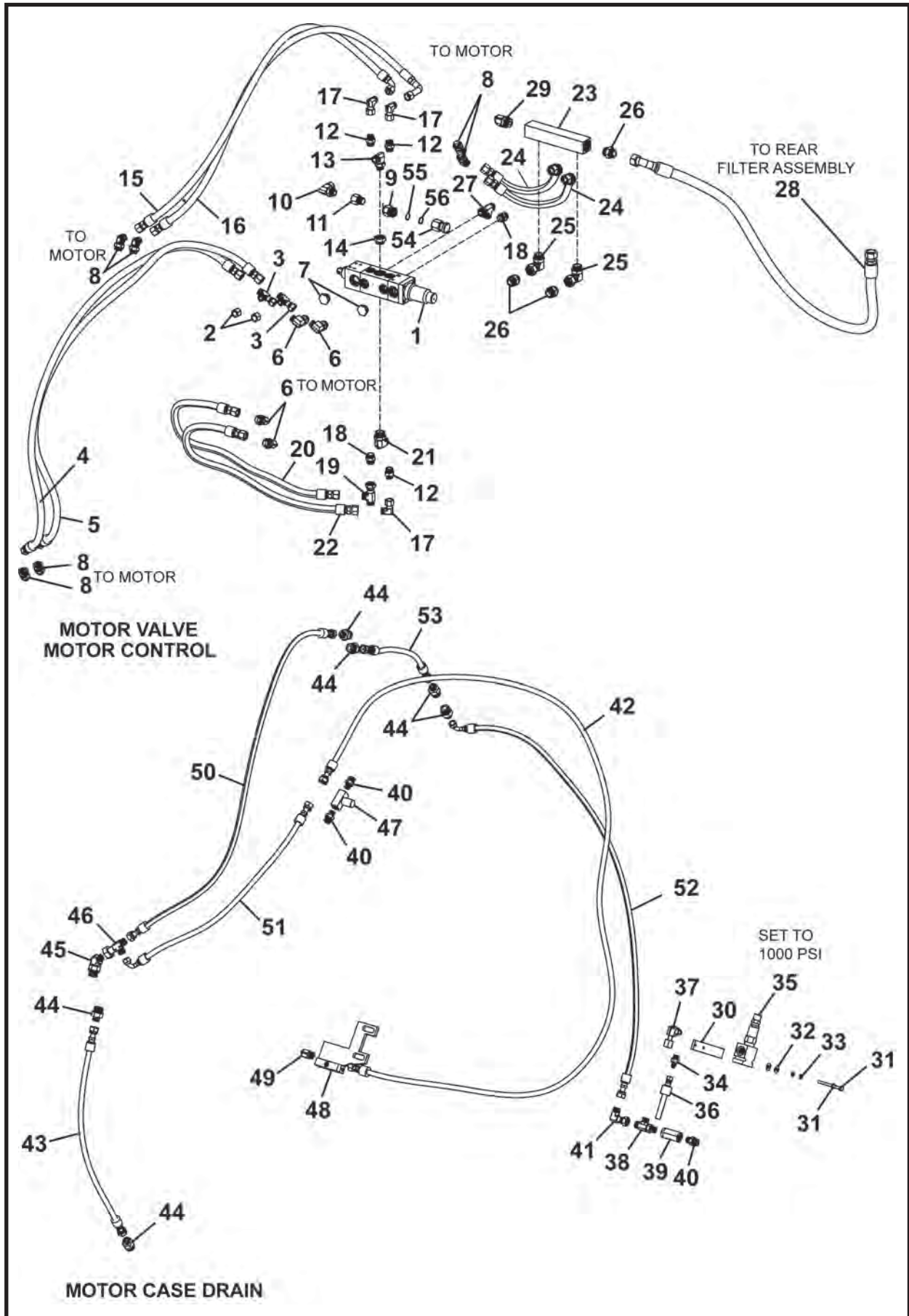
600: SN F19325F00-16 & After; 660: SN F04410F00-8 & After

ITEM	QTY	600	660	DESCRIPTION
		PART NO.	PART NO.	
0	1	029905A	029944A	HYDRAULICS, Motor Valve 600
1*	1	007579A00	007579A00	VALVE, Motor 120 Gal
2	1	P0300-419	P0300-419	FITTING, 16MFOR-16MB-16MFOR
3	1	P0300-371	P0300-371	FITTING, 16MFOR-16MB90
4	2	P0300-614	P0300-614	FITTING, 16MFOR-16MBLONG
5	2	P0300-146	P0300-146	PLUG, 20MB
6	1	P0300-380	P0300-380	FITTING, 20MB-16FB
7	1	004902A00	004902A00	COUPLER ASSEMBLY, 1
8	1	P0300-615	P0300-615	FITTING, 16FFORX-16MB90
9	1	P0300-616	P0300-616	FITTING, 16FB-16MP
10	1	P0300-620	P0300-620	FITTING, 20MFOR-20MB90
11	1	029929P	029929P	MANIFOLD
12	3	P0300-366	P0300-366	FITTING, 20MFOR-20MB
13	1	P0300-450	P0300-450	FITTING, 16MFOR-20MB90
14	4	P0300-561	P0300-561	FITTING, 12MFFOR-16MB45
15	1	A10081A- <u>077</u>	A10081A- <u>095</u>	HOSE ASSEMBLY, 1-1/4 x ___
16	2	A09953A- <u>063</u>	A09953A- <u>066</u>	HOSE ASSEMBLY, 3/4 x ___
17	1	A09954A-065	A09954A-065	HOSE ASSEMBLY, 3/4 x 65
18	1	A10437A- <u>069</u>	A10437A- <u>078</u>	HOSE ASSEMBLY, 3/4 x ___
19	1	A09953A-054	A09953A-054	HOSE ASSEMBLY, 3/4 x 54
20	2	A10437A- <u>078</u>	A10437A- <u>085</u>	HOSE ASSEMBLY, 3/4 x ___
21	6	P0300-671	P0300-671	FITTING, 12MFFOR-16FMB90
22	1	P0300-424	P0300-424	FITTING, 12MFOR-12FFORX90
23	1	P0300-328	P0300-328	FITTING, 16MFOR-16FFORX-16MFOR
24	1	P0300-378	P0300-378	FITTING, 12FOR-16MB
25	2	P0300-624	P0300-624	FITTING, 20FFORX-20MB90
26	1	029917P	029917P	PLATE
27	2	P0001-04-007	P0001-04-007	SCREW, 1/4 UNC x 1.75
28	2	P0040-004	P0040-004	WASHER, Hardened Flat 1/4
29	2	P0045-004	P0045-004	WASHER, Lock 1/4
30	1	A10074A-008	A10074A-008	HOSE ASSEMBLY, 1/4 x 8
31	1	P0300-245	P0300-245	FITTING, 04MJ-06MB
32	1	P0302-103	P0302-103	VALVE, Relief
33	1	P0302-536	P0302-536	VALVE, Check
34	1	P0300-618	P0300-618	FITTING, 06FFORX-06MB90
35	1	P0300-386	P0300-386	FITTING, 06MFOR-06MB-06MFOR
36	3	P0300-356	P0300-356	FITTING, 06MFOR-06MB
37	1	P0300-613	P0300-613	FITTING, 06MFOR-06FFORX-06MFOR
38	1	007968A00	007968A00	OILER, Gear Ring
39	1	P0302-537	P0302-537	VALVE, Needle
40	1	P0300-769	P0300-769	FITTING, 06MFFOR-10MB45
41	1	P0300-770	P0300-770	FITTING, 06MFFOR-04MP90
42	6	P0300-634	P0300-634	FITTING, 06MFOR-10MB
43	1	A10079A- <u>027</u>	A10079A- <u>034</u>	HOSE ASSEMBLY, 3/8 x ___
44	2	A10313A- <u>013</u>	A10313A- <u>020</u>	HOSE ASSEMBLY, 3/8 x ___
45	1	A10079A- <u>075</u>	A10079A- <u>080</u>	HOSE ASSEMBLY, 3/8 x ___
46	1	A10079A-045	A10079A-045	HOSE ASSEMBLY, 3/8 x 45
47	1	A10313A- <u>106</u>	A10313A- <u>115</u>	HOSE ASSEMBLY, 3/8 x ___
48	2	P0300-319	P0300-319	FITTING, 16MFOR-16MB
49	1	A09954A- <u>069</u>	A09954A- <u>078</u>	HOSE ASSEMBLY, 3/4 x ___
50	1	008149A00	008149A00	COUPLER UNION
51	1	P0085-123	P0085-123	ORING
52	1	P0084-123	P0084-123	RING, Back-Up

* Refer to Section 7, Valves for parts information.

MOTOR VALVE HYDRAULICS 720, 029970A

720: SN F20800F00-19 & After



MOTOR VALVE HYDRAULICS 720, 029970A

720: SN F20800F00-19 & After

ITEM	QTY	PART NO.	DESCRIPTION
0	1	029970A	HYDRAULICS, Motor Valve 720
1*	1	007579A00	VALVE, Motor 120 Gal
2	2	P0300-410	CAP, 12FFOR
3	2	P0300-588	FITTING, FS6602-12-12-12
4	1	A10437A-102	HOSE ASSEMBLY, 3/4 x 102
5	1	A10437A-100	HOSE ASSEMBLY, 3/4 x 100
6	4	P0300-671	FITTING, 12MFFOR-16FMB90
7	2	P0300-146	PLUG, 20MB
8	6	P0300-561	FITTING, 12MFFOR-16MB45
9	1	004902A00	COUPLER ASSEMBLY, 1
10	1	P0300-615	FITTING, 16FFORX-16MB90
11	1	P0300-616	FITTING, 16FB-16MP
12	3	P0300-378	FITTING, 12FOR-16MB
13	1	P0300-371	FITTING, 16MFOR-16MB90
14	1	P0300-380	FITTING, 20MB-16FB
15	1	A10436A-075	HOSE ASSEMBLY, 3/4 x 75
16	1	A09955A-078	HOSE ASSEMBLY, 3/4 x 78
17	3	P0300-424	FITTING, 12MFOR-12FFORX90
18	2	P0300-319	FITTING, 16MFOR-16MB
19	1	P0300-328	FITTING, 16MFOR-16FFORX-16MFOR
20	1	A09954A-053	HOSE ASSEMBLY, 3/4 x 53
21	1	P0300-620	FITTING, 20MFOR-20MB90
22	1	A10437A-053	HOSE ASSEMBLY, 3/4 x 53
23	1	029929P	MANIFOLD
24	2	A09953A-061	HOSE ASSEMBLY, 3/4 x 61
25	2	P0300-624	FITTING, 20FFORX-20MB90
26	3	P0300-366	FITTING, 20MFOR-20MB
27	1	P0300-419	FITTING, 16MFOR-16MB-16MFOR
28	1	A10081A-072	HOSE ASSEMBLY, 1-1/4 x 72
29	1	P0300-450	FITTING, 16MFOR-20MB90
30	1	029917P	PLATE
31	2	P0001-04-007	SCREW, 1/4 UNC x 1.75
32	2	P0040-004	WASHER, Hardened Flat 1/4
33	2	P0045-004	WASHER, Lock 1/4
34	1	P0300-245	FITTING, 04MJ-06MB
35	1	P0302-103	VALVE, Relief
36	1	A10074A-008	HOSE ASSEMBLY, 1/4 x 8
37	1	P0300-618	FITTING, 06FFORX-06MB90
38	1	P0300-386	FITTING, 06MFOR-06MB-06MFOR
39	1	P0302-536	VALVE, Check
40	3	P0300-356	FITTING, 06MFOR-06MB
41	1	P0300-603	FITTING, 06MFOR-06FFORX90
42	1	A10313A-106	HOSE ASSEMBLY, 3/8 x 106
43	1	A10313A-025	HOSE ASSEMBLY, 3/8 x 25
44	6	P0300-634	FITTING, 06MFOR-10MB
45	1	P0300-769	FITTING, 06MFFOR-10MB45
46	1	P0300-613	FITTING, 06MFOR-06FFORX-06MFOR
47	1	P0302-537	VALVE, Needle
48	1	007968A00	OILER, Gear Ring
49	1	P0300-770	FITTING, 06MFFOR-04MP90
50	1	A10313A-058	HOSE ASSEMBLY, 3/8 x 58
51	1	A10079A-027	HOSE ASSEMBLY, 3/8 x 27
52	1	A10079A-056	HOSE ASSEMBLY, 3/8 x 56
53	1	A10313A-027	HOSE ASSEMBLY, 3/8 x 27
54	1	008149A00	COUPLER UNION
55	1	P0085-123	ORING
56	1	P0084-123	RING, Back-Up

* Refer to Section 7, Valves for parts information.

MOTOR VALVE HYDRAULICS 780, 029981A

780: SN F25000F-4 & After

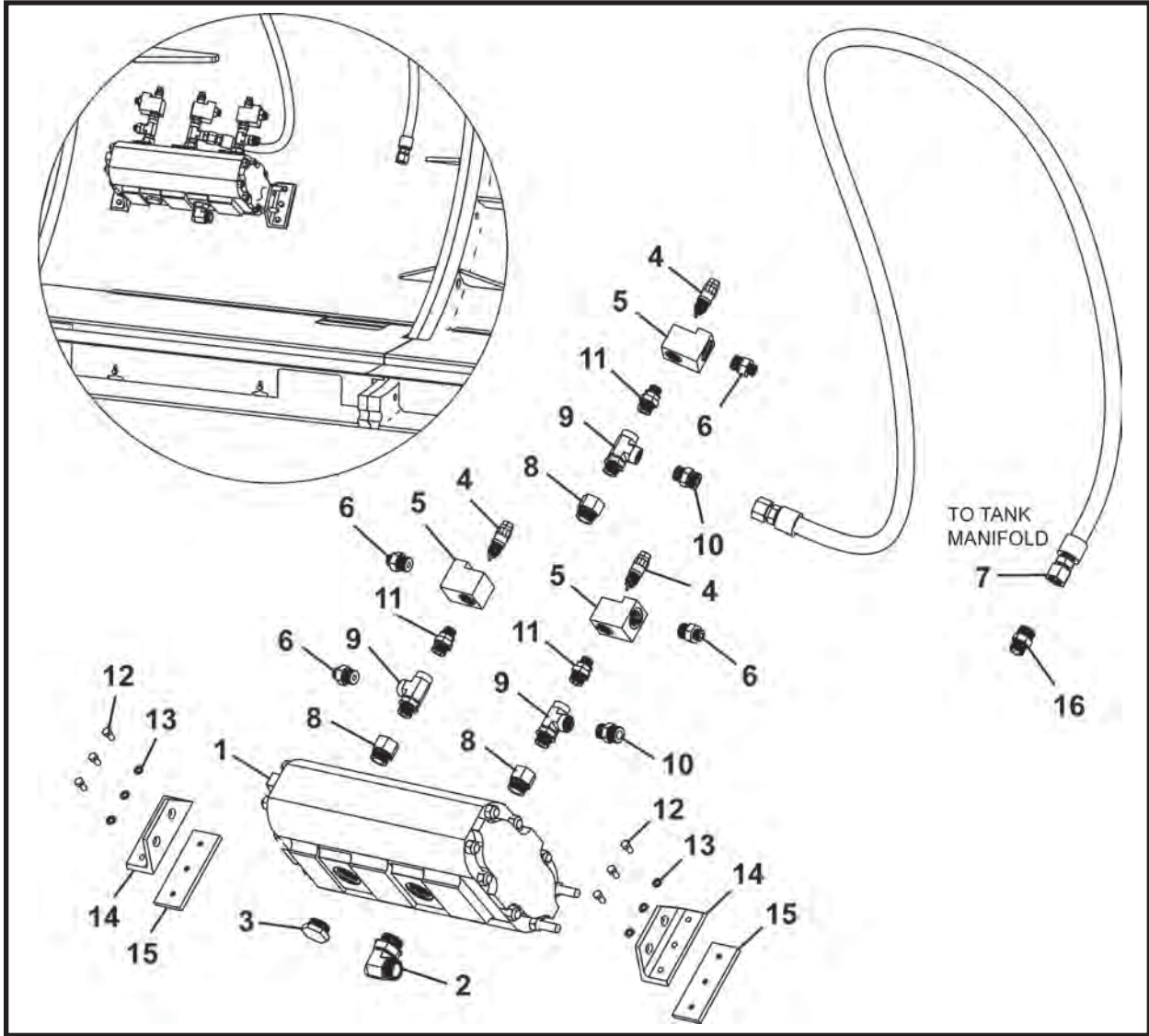
ITEM	QTY	PART NO.	DESCRIPTION
0	1	029981A	HYDRAULICS, Motor Valve 780
1*	1	007579A00	VALVE, Motor 120 Gal
2	4	P0300-410	CAP,12FFOR
3	4	P0300-588	FITTING, FS6602-12-12-12
4	2	A10437A-110	HOSE ASSEMBLY, 3/4 x 110
5	4	P0300-671	FITTING, 12MFFOR-16FMB90
6	2	P0300-146	PLUG, 20MB
7	6	P0300-561	FITTING, 12MFFOR-16MB45
8	1	004902A00	COUPLER ASSEMBLY, 1
9	1	P0300-615	FITTING, 16FFORX-16MB90
10	1	P0300-616	FITTING, 16FB-16MP
11	3	P0300-378	FITTING, 12FOR-16MB
12	1	P0300-371	FITTING, 16MFOR-16MB90
13	1	P0300-380	FITTING, 20MB-16FB
14	3	P0300-424	FITTING, 12MFOR-12FFORX90
15	1	A10436A-076	HOSE ASSEMBLY, 3/4 x 765
16	1	A09955A-079	HOSE ASSEMBLY, 3/4 x 79
17	2	P0300-319	FITTING, 16MFOR-16MB
18	1	P0300-328	FITTING, 16MFOR-16FFORX-16MFOR
19	2	A10437A-069	HOSE ASSEMBLY, 3/4 x 69
20	1	P0300-620	FITTING, 20MFOR-20MB90
21	1	029929P	MANIFOLD
22	1	A09954A-030	HOSE ASSEMBLY, 3/4 x 30
23	1	A09953A-054	HOSE ASSEMBLY, 3/4 x 54
24	2	P0300-624	FITTING, 20FFORX-20MB90
25	3	P0300-366	FITTING, 20MFOR-20MB
26	1	P0300-419	FITTING, 16MFOR-16MB-16MFOR
27	1	A10081A-090	HOSE ASSEMBLY, 1-1/4 x 90
28	1	P0300-450	FITTING, 16MFOR-20MB90
29	1	029917P	PLATE
30	2	P0001-04-007	SCREW, 1/4 UNC x 1.75
31	2	P0040-004	WASHER, Hardened Flat 1/4
32	2	P0045-004	WASHER, Lock 1/4
33	1	P0300-245	FITTING, 04MJ-06MB
34	1	P0302-103	VALVE, Relief
35	1	A10074A-008	HOSE ASSEMBLY, 1/4 x 8
36	1	P0300-618	FITTING, 06FFORX-06MB90
37	1	P0300-386	FITTING, 06MFOR-06MB-06MFOR
38	1	P0302-536	VALVE, Check
39	3	P0300-356	FITTING, 06MFOR-06MB
40	1	A10313A-106	HOSE ASSEMBLY, 3/8 x 106
41	6	P0300-634	FITTING, 06MFOR-10MB
42	1	A10313A-025	HOSE ASSEMBLY, 3/8 x 25
43	1	A10313A-027	HOSE ASSEMBLY, 3/8 x 27
44	1	P0300-769	FITTING, 06MFFOR-10MB45
45	1	P0300-613	FITTING, 06MFOR-06FFORX-06MFOR
46	1	A10079A-027	HOSE ASSEMBLY, 3/8 x 27
47	1	A10079A-045	HOSE ASSEMBLY, 3/8 x 45
48	1	P0302-537	VALVE, Needle
49	1	007968A00	OILER, Gear Ring
50	1	P0300-770	FITTING, 06MFFOR-04MP90
51	1	A10313A-070	HOSE ASSEMBLY, 3/8 x 70
52	1	008149A00	COUPLER UNION
53	1	P0085-123	ORING
54	1	P0084-123	RING, Back-Up

* Refer to Section 7, Valves for parts information.

FLOW DIVIDER HYDRAULICS

600: SN F19325F-16 & After; 660: SN F04410F-8 & After;

720: SN F20800F-19 & After; 780: SN F25000F-4 & After



ITEM	QTY	600 PART NO.	660 PART NO.	720 PART NO.	780 PART NO.	DESCRIPTION
0	1	029906A	029945A	029971A	029982A	HYDRAULICS, Flow Divider
1*	1	P0303-163	P0303-163	P0303-163	P0303-163	PUMP
2	1	P0300-620	P0300-620	P0300-620	P0300-620	FITTING, 20MFOR-20MB90
3	1	P0300-146	P0300-146	P0300-146	P0300-146	PLUG, 20MB
4	3	P0302-144	P0302-144	P0302-144	P0302-144	CARTRIDGE, Relief Valve
5	3	010129P00	010129P00	010129P00	010129P00	BODY, Relief Valve
6	4	P0300-375	P0300-375	P0300-375	P0300-375	FITTING, 08MFOR-12MB
7	1	<u>A10437A-110</u>	<u>A10437A-117</u>	<u>A10437A-072</u>	<u>A10437A-110</u>	HOSE ASSEMBLY, 3/4 x ___
8	3	P0300-587	P0300-587	P0300-587	P0300-587	FITTING, 16MB-12FB
9	3	P0300-536	P0300-536	P0300-536	P0300-536	FITTING, 12MB-12FB-12FB
10	2	P0300-329	P0300-329	P0300-329	P0300-329	FITTING, 12MFOR-12MB
11	3	P0300-680	P0300-680	P0300-680	P0300-680	FITTING, 12MB-10MB
12	6	P0001-06-003	P0001-06-003	P0001-06-003	P0001-06-003	BOLT, 3/8 UNC x .75
13	6	P0045-006	P0045-006	P0045-006	P0045-006	WASHER, Lock 3/8
14	2	029938P	029938P	029938P	029938P	MOUNT
15	2	029843P	029843P	029843P	029843P	BAR, Mount
16	1	P0300-369	P0300-369	P0300-369	P0300-369	FITTING, 21MFOR-12MP

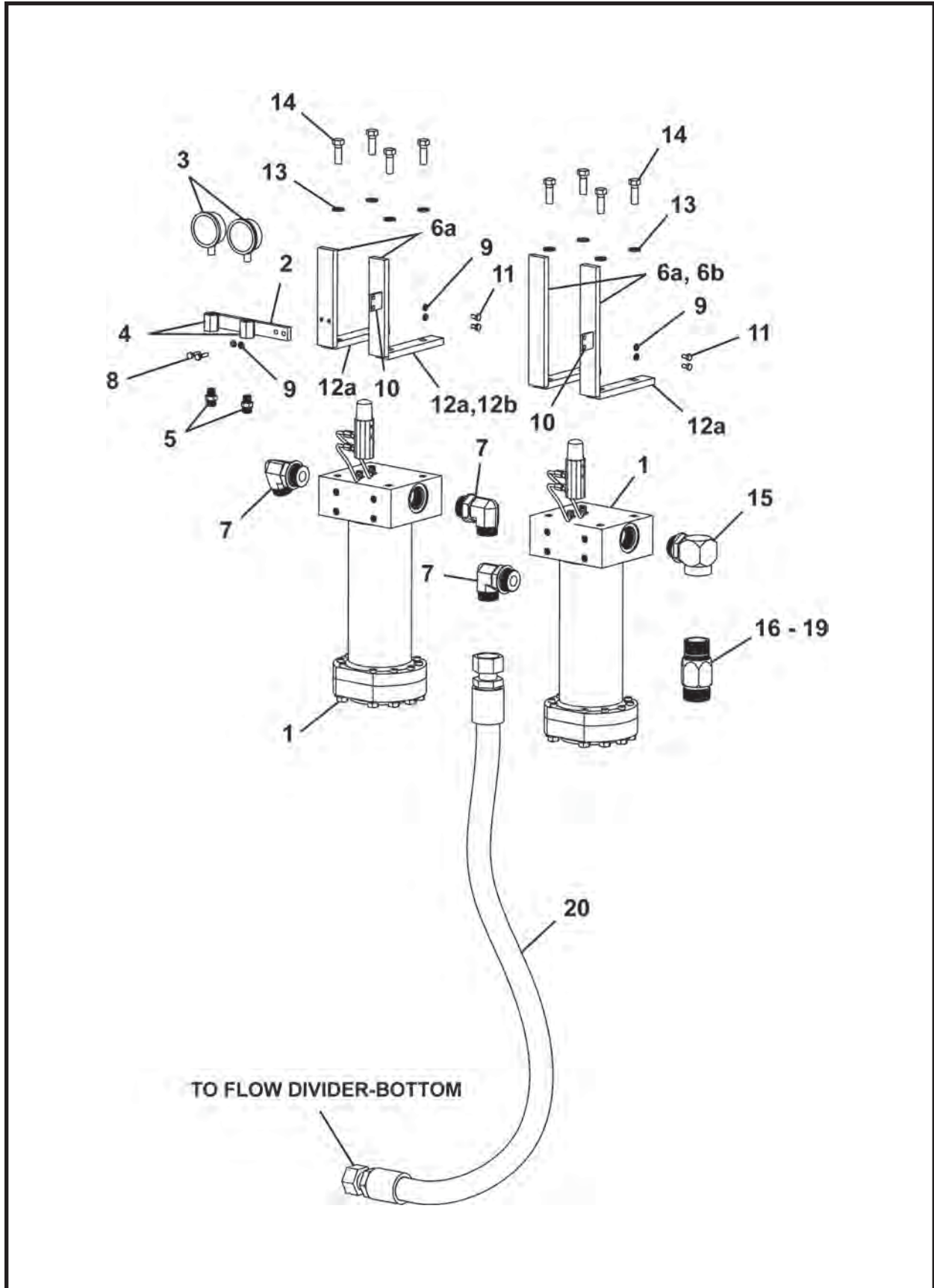
* Refer to Section 9, Pumps for parts information.

NOTES

FILTER ASSEMBLY HYDRAULICS

600: SN F19325F-16 & After; 660: SN F04410F-8 & After;

720: SN F20800F-19 & After; 780: SN F25000F-4 & After



FILTER ASSEMBLY HYDRAULICS

600: SN F19325F-16 & After; 660: SN F04410F-8 & After;

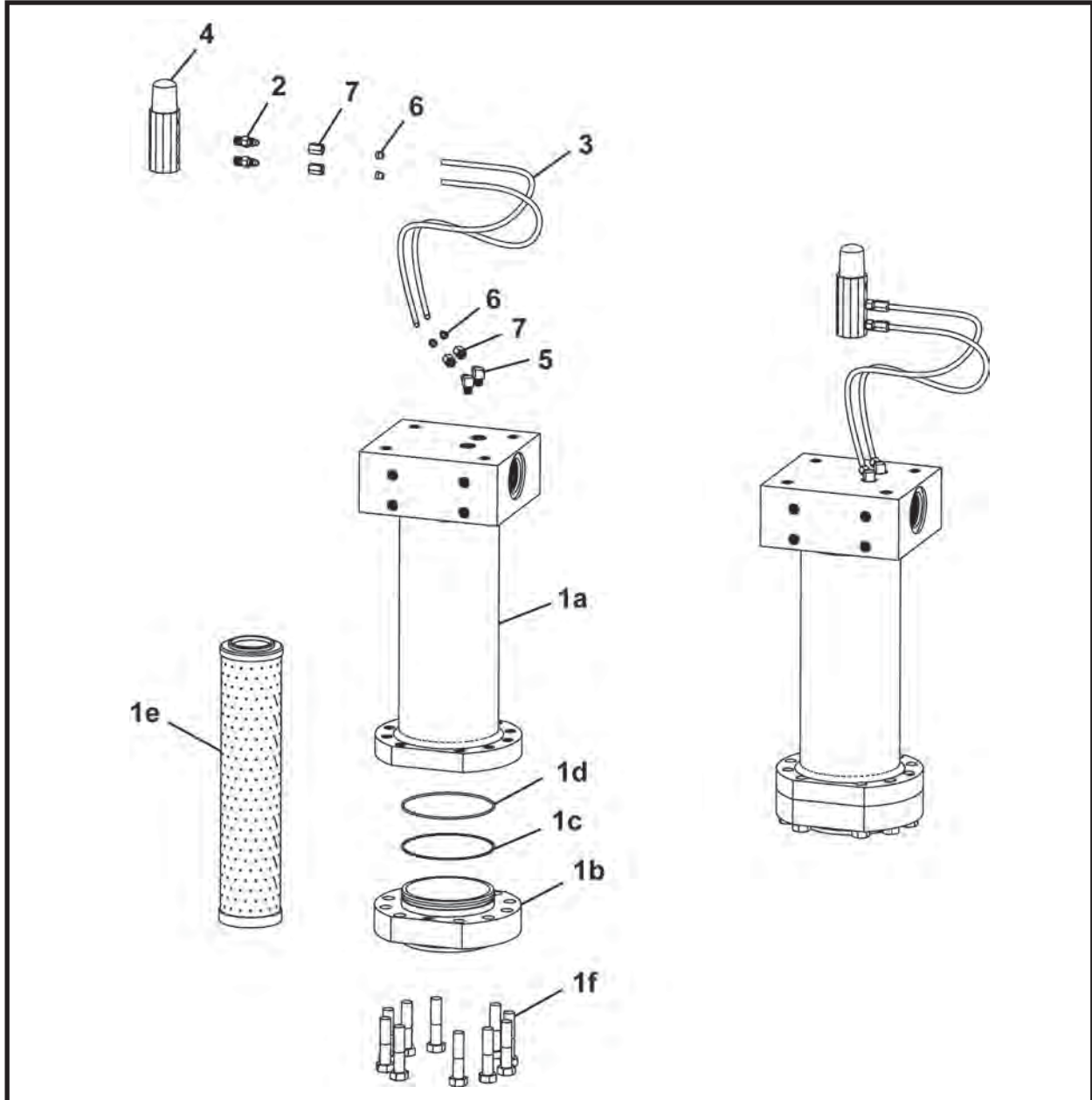
720: SN F20800F-19 & After; 780: SN F25000F-4 & After

ITEM	QTY	600 PART NO.	660 PART NO.	720 PART NO.	780 PART NO.	DESCRIPTION
0	1	029907A	029946A	029972A	029983A	HYDRAULICS, Filter Assembly
1*	2	029910A	029910A	029910A	029910A	FILTER ASSEMBLY
2	1	029933P	029933P	029933P	029933P	MOUNT, Gauge
3	2	P0301-150	P0301-150	P0301-150	P0301-150	GAUGE, 5000
4	2	029921P	029921P	029921P	029921P	FITTING
5	2	P0300-356	P0300-356	P0300-356	P0300-356	FITTING, 06MFOR-06MB
6a	2/4/4/4	029964P	029959P	029990P	029989P	MOUNT, Filter
6b	2/0/0/0	030574P	-	-	-	MOUNT, Filter
7	3	P0300-620	P0300-620	P0300-620	P0300-620	FITTING, 20MFOR-20MB90
8	2	P0001-04-004	P0001-04-004	P0001-04-004	P0001-04-004	BOLT, 1/4 UNC x 1
9	6	P0045-004	P0045-004	P0045-004	P0045-004	WASHER, Lock 1/4
10	2	029932P	029932P	029932P	029932P	MOUNT, Filter Indicator
11	4	P0001-04-002	P0001-04-002	P0001-04-002	P0001-04-002	BOLT, 1/4 UNC x .5
12a	4/4/4/1	029930P	029930P	029930P	029930P	MOUNT, Filter
12b	0/0/0/3	-	-	-	029988P	MOUNT, Filter
13	8	P0045-008	P0045-008	P0045-008	P0045-008	WASHER, Lock 1/2
14	8	P0001-08-006	P0001-08-006	P0001-08-006	P0001-08-006	BOLT, 1/2 UNC x 1.5
15	1	P0300-046	P0300-046	P0300-046	P0300-046	FITTING, 20MB-20FP90
16	1	005348P00	005348P00	005348P00	005348P00	COUPLER
17	1	P0084-123	P0084-123	P0084-123	P0084-123	RING, Back-Up
18	1	P0085-123	P0085-123	P0085-123	P0085-123	ORING
19	1	P0402-006	P0402-006	P0402-006	P0402-006	NIPPLE, Close 1-1/4
20	1	A10458A-072	A10458A-072	A10458A-072	A10458A-072	HOSE ASSEMBLY, 1-1/4 x 72

* Refer to this section for parts information.

FILTER ASSEMBLY, 029910A

600: SN F19325F-16 & After; 660: SN F04410F-8 & After;
720: SN F20800F-19 & After; 780: SN F25000F-4 & After



ITEM	QTY	PART NO.	DESCRIPTION
0	1	029910A	FILTER ASSEMBLY
1*	1	030442A	FILTER ASSEMBLY, ORB (Includes items 1a - 1f)
1a	1	029909A	HOUSING, Filter
1b	1	007966P01	COVER
1c**	1	P0084-156	RING, Back-Up
1d**	1	P0085-156	ORING
1e	1	P0309-121	FILTER, High Pressure
1f	10	P0001-08-009	BOLT, 1/2 UNC x 2.25
2	2	P0300-158	FITTING, 03MJ-02MP
3	2	P0110-105-014	TUBE, Steel
4	1	P0301-108	INDICATOR, Pressure
5	2	P0300-623	FITTING, 03MJ-03MB90
6	4	P0300-154	FITTING, 03TS
7	4	P0300-155	FITTING, 03TSN

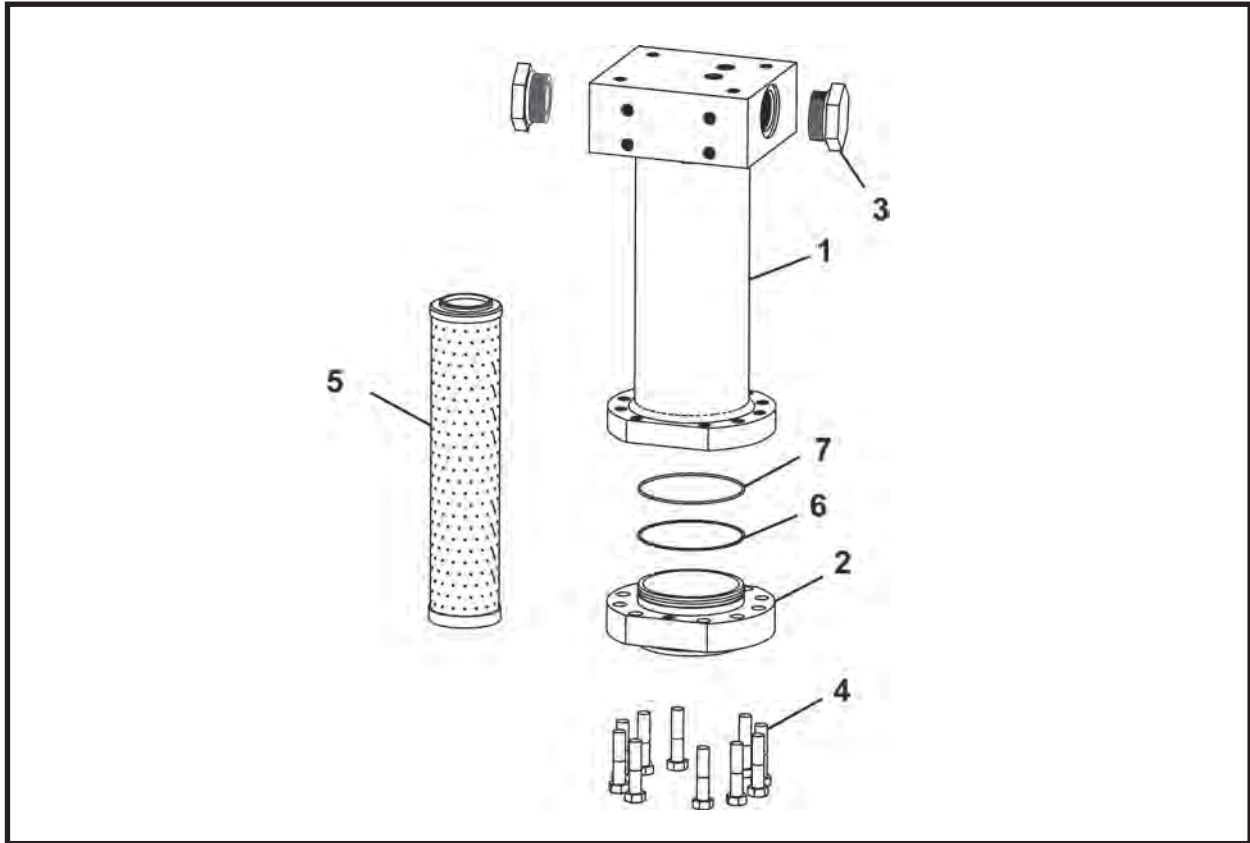
* Use 029995A, HP TBM Filter Service Assembly when ordering complete filter housing assembly. Refer to this section for parts information.

** Included in Seal Kit, 008190A00.

HP TBM FILTER SERVICE ASSEMBLY, 029995A

600: SN F19325F-16 & After; 660: SN F04410F-8 & After;

720: SN F20800F-19 & After; 780: SN F25000F-4 & After



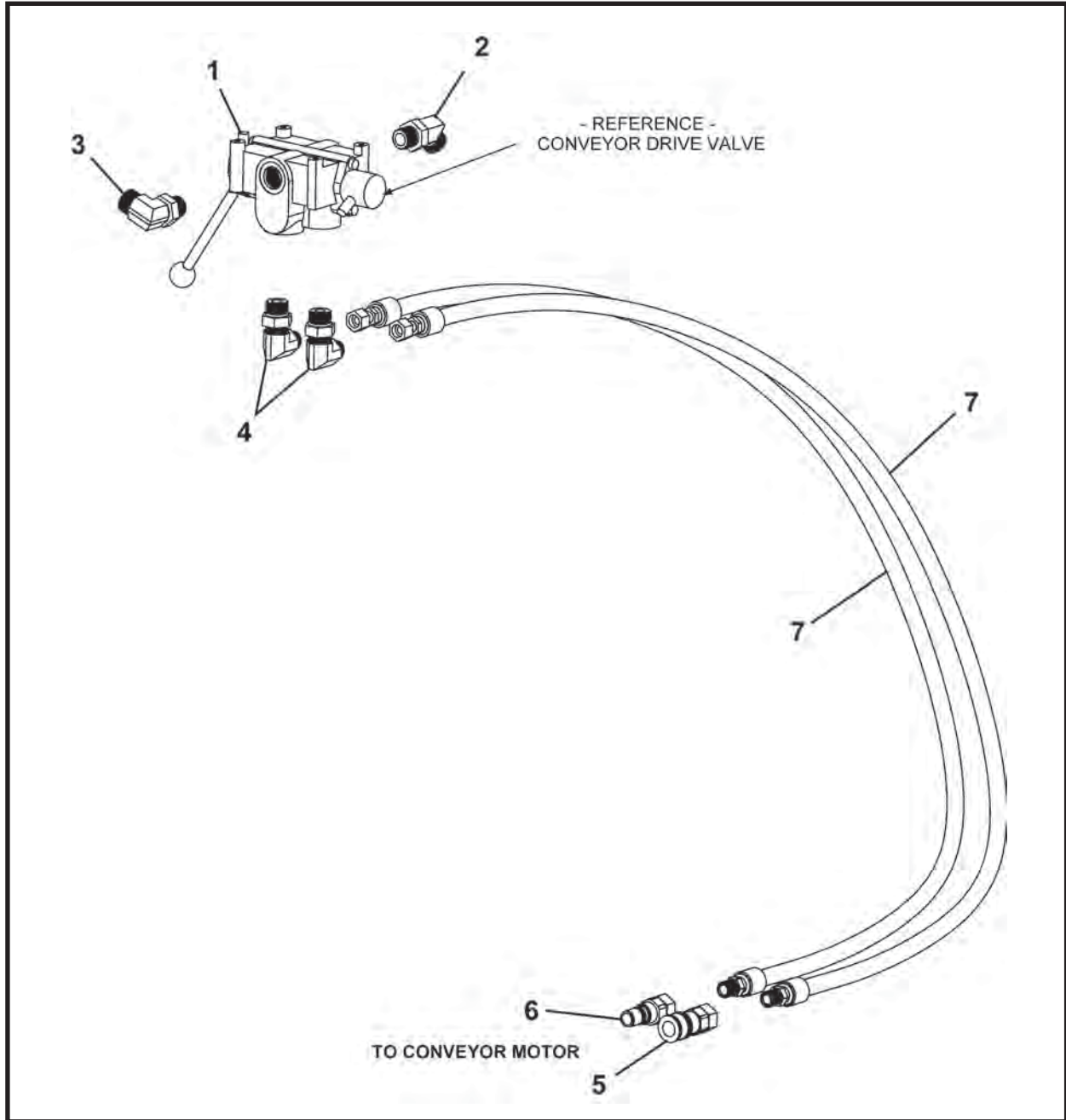
ITEM	QTY	PART NO.	DESCRIPTION
0	1	029995A	HP TBM FILTER SERVICE ASSEMBLY
1	1	029909A	HOUSING, Filter
2	1	007966P01	COVER
3	2	P0300-146	PLUG, 20MB
4	10	P0001-08-009	BOLT, 1/2 UNC x 2.25
5	1	P0309-121	FILTER, High Pressure
6*	1	P0084-156	RING, Back-Up
7*	1	P0085-156	ORING

* Included in Seal Kit, 008190A00.

CONVEYOR VALVE HYDRAULICS

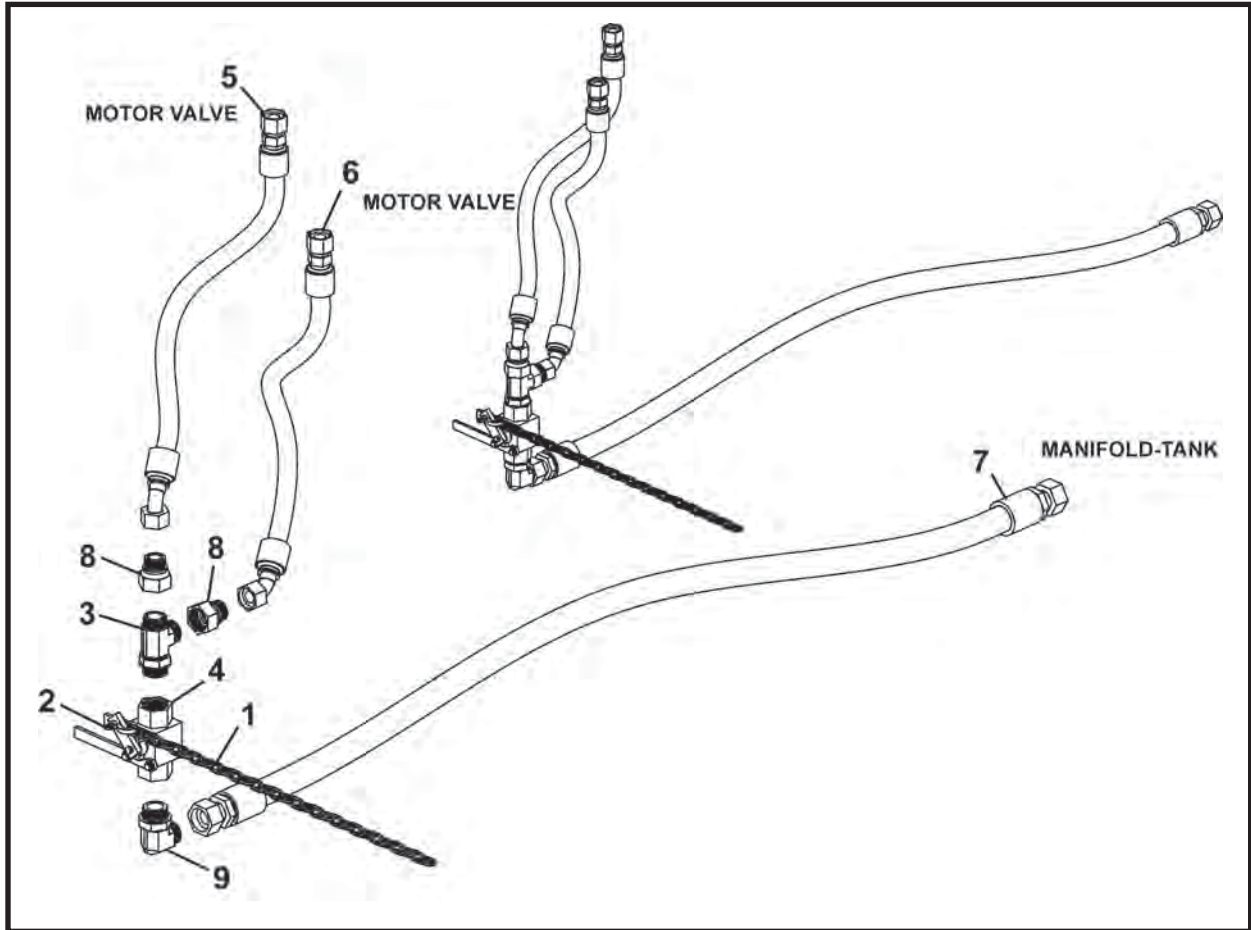
600: SN F19325F-16 & After; 660: SN F04410F-8 & After;

720: SN F20800F-19 & After; 780: SN F25000F-4 & After



ITEM	QTY	600 PART NO.	660 PART NO.	720 PART NO.	780 PART NO.	DESCRIPTION
0	1	029908A	029956A	029973A	029984A	HYDRAULICS, Conveyor Valve
1	-	-	-	-	-	VALVE, Conveyor Drive
2	1	P0300-359	P0300-359	P0300-359	P0300-359	FITTING, 12MFOR-12MB45
3	1	P0300-372	P0300-372	P0300-372	P0300-372	FITTING, 12MFOR-12MB90
4	2	P0300-373	P0300-373	P0300-373	P0300-373	FITTING, 08MFOR-12MB90
5	1	P0100-004A	P0100-004A	P0100-004A	P0100-004A	COUPLER, Female
6	1	P0100-004B	P0100-004B	P0100-004B	P0100-004B	COUPLER, Male
7	2	A10080A-066	A10080A-070	A10080A-066	A10080A-072	HOSE ASSEMBLY, 1/2 x ___

CONVEYOR SAFETY VALVE HYDRAULICS
600: SN F19325F-16 & After; 660: SN F04410F-8 & After;
720: SN F20800F-19 & After; 780: SN F25000F-4 & After



ITEM	QTY	600 PART NO.	660 PART NO.	720 PART NO.	780 PART NO.	DESCRIPTION
0	1	029922A	029957A	029974A	029985A	HYDRAULICS, Conv Safety Valve
1	72 LI	P0094-004	P0094-004	P0094-004	P0094-004	CHAIN
2	1	P0091-003	P0091-003	P0091-003	P0091-003	SHACKLE, Anchor
3	1	P0300-548	P0300-548	P0300-548	P0300-548	FITTING, 20MFFOR-20MB-20MFFOR
4*	1	029920A	029920A	029920A	029920A	VALVE, Safety
5	1	A10019A-027	A10019A-030	A10019A-035	A10019A-042	HOSE ASSEMBLY, 1 x ____
6	1	A10019A-026	A10019A-029	A10019A-034	A10019A-041	HOSE ASSEMBLY, 1 x ____
7	1	A10458A-054	A10458A-063	A10458A-050	A10458A-063	HOSE ASSEMBLY, 1-1/4 x ____
8	2	P0300-552	P0300-552	P0300-552	P0300-552	FITTING, 16MFFOR-20FFORX
9	1	P0300-620	P0300-620	P0300-620	P0300-620	FITTING, 20MFOR-20MB90

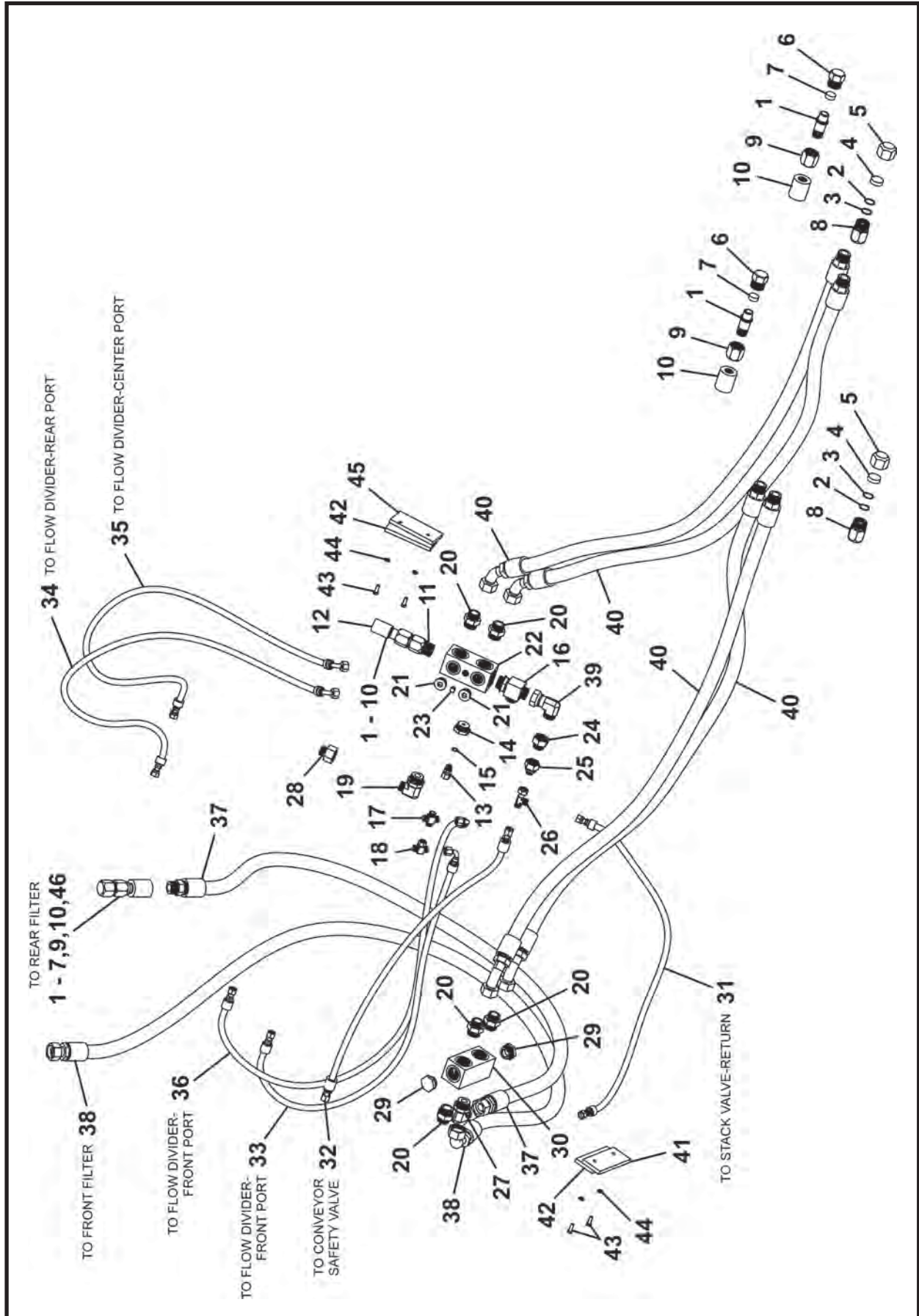
* Refer to Section 7, Valves for parts information.

LI - Linear Inch

MANIFOLD HYDRAULICS

600: SN F19325F-16 & After; 660: SN F04410F-8 & After;

720: SN F20800F-19 & After; 780: SN F25000F-4 & After



MANIFOLD HYDRAULICS

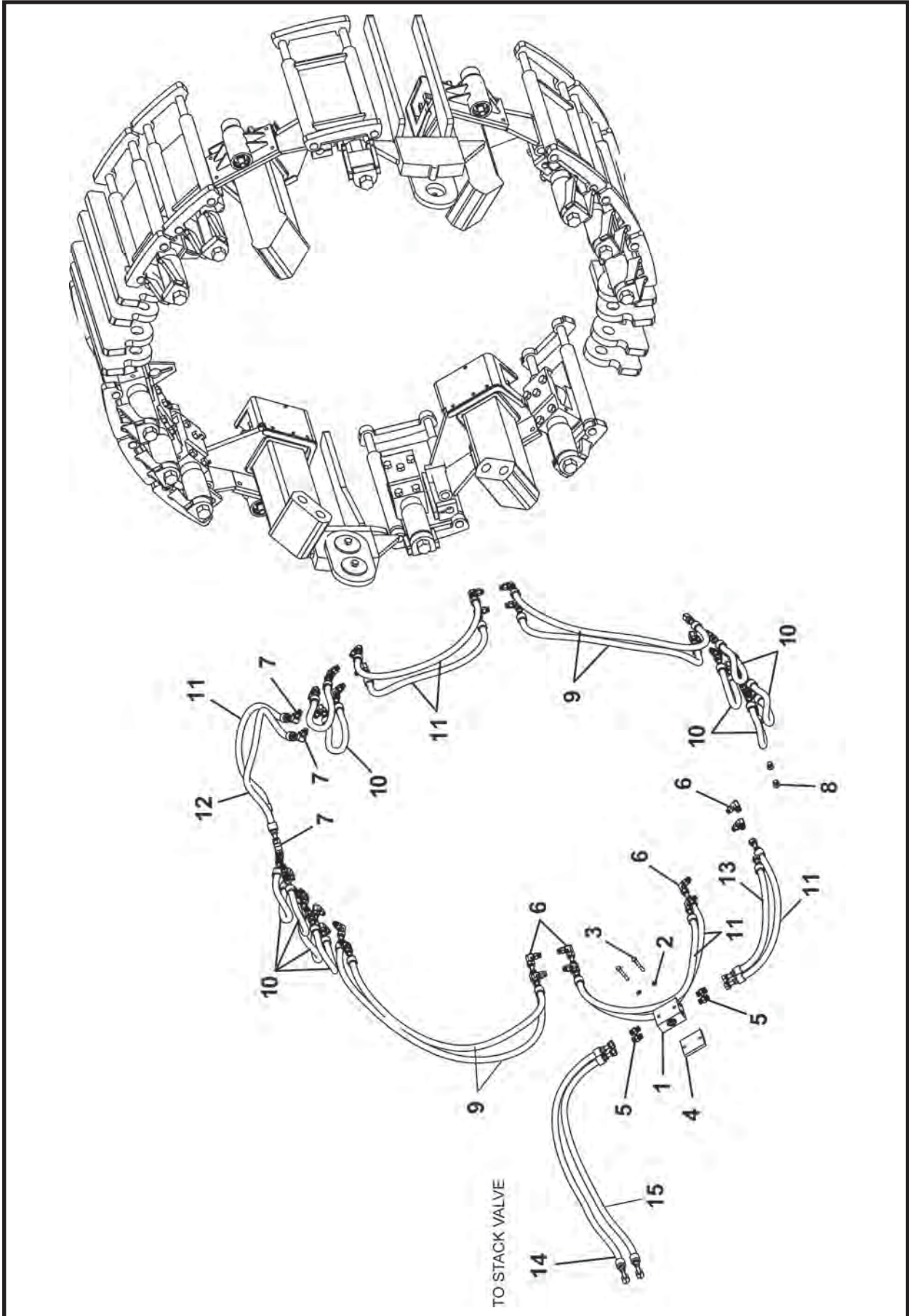
600: SN F19325F-16 & After; 660: SN F04410F-8 & After;

720: SN F20800F-19 & After; 780: SN F25000F-4 & After

ITEM	QTY	600 PART NO.	660 PART NO.	720 PART NO.	780 PART NO.	DESCRIPTION
0	1	029925A	029958A	029975A	029986A	HYDRAULICS, Manifold
1	4	004899P00	004899P00	004899P00	004899P00	UNION, Coupler
2	4	P0084-123	P0084-123	P0084-123	P0084-123	RING, Back-Up
3	4	P0085-123	P0085-123	P0085-123	P0085-123	ORING
4	4	007086P00	007086P00	007086P00	007086P00	PLUGS, Rubber
5	4	007002P02	007002P02	007002P02	007002P02	CAP, Coupler
6	4	005350P03	005350P03	005350P03	005350P03	CAP, Coupler
7	4	007087P00	007087P00	007087P00	007087P00	PLUG, Rubber
8	3	005348P00	005348P00	005348P00	005348P00	COUPLER, Female
9	4	004901P01	004901P01	004901P01	004901P01	COUPLER
10	3	P0421-012	P0421-012	P0421-012	P0421-012	COUPLER, Reducer
11	1	P0402-006	P0402-006	P0402-006	P0402-006	NIPPLE, Close
12	1	P0400-005	P0400-005	P0400-005	P0400-005	COUPLING, Pipe 1
13	1	P0300-628	P0300-628	P0300-628	P0300-628	FITTING, 08FFORX-08MJ
14	1	P0300-675	P0300-675	P0300-675	P0300-675	FITTING, 20MB-8FB
15	1	P0300-332	P0300-332	P0300-332	P0300-332	ORING
16	1	P0300-548	P0300-548	P0300-548	P0300-548	FITTING, 20MFFOR-20MB-20MFFOR
17	1	P0300-629	P0300-629	P0300-629	P0300-629	FITTING, 08MFOR-08MFOR-08MFOR
18	1	P0300-428	P0300-428	P0300-428	P0300-428	FITTING, 08MFOR-08MFOR-08FFORX
19	1	P0300-608	P0300-608	P0300-608	P0300-608	FITTING, 12MFFOR-20MB90
20	5	P0300-366	P0300-366	P0300-366	P0300-366	FITTING, 20MFOR-20MB
21	2	P0300-273	P0300-273	P0300-273	P0300-273	PLUG, 16MB-HHP
22	1	029912P	029912P	029912P	029912P	BLOCK, Outlet
23	1	P0300-185	P0300-185	P0300-185	P0300-185	PLUG, 04MB
24	1	P0300-630	P0300-630	P0300-630	P0300-630	FITTING, 20FFOR-16MFOR
25	1	P0300-631	P0300-631	P0300-631	P0300-631	FITTING, 16FFOR-08MFFOR
26	1	P0300-318	P0300-318	P0300-318	P0300-318	FITTING, 08MFOR-08FFORX-08MFOR
27	1	P0300-620	P0300-620	P0300-620	P0300-620	FITTING, 20MFOR-20MB90
28	1	P0300-609	P0300-609	P0300-609	P0300-609	FITTING, 20FFOR-12MFOR
29	2	P0300-146	P0300-146	P0300-146	P0300-146	PLUG, 20MB
30	1	029911P	029911P	029911P	029911P	BLOCK, Inlet
31	1	<u>A10308A-060</u>	<u>A10308A-064</u>	<u>A10308A-068</u>	<u>A10308A-075</u>	HOSE ASSEMBLY, 3/8 x ____
32	1	<u>A10372A-052</u>	<u>A10372A-052</u>	<u>A10372A-052</u>	<u>A10372A-052</u>	HOSE ASSEMBLY, 1/2 x 52
33	1	<u>A10324A-066</u>	<u>A10324A-069</u>	<u>A10324A-074</u>	<u>A10324A-076</u>	HOSE ASSEMBLY, 1/2 x ____
34	1	<u>A10362A-040</u>	<u>A10362A-040</u>	<u>A10362A-040</u>	<u>A10362A-047</u>	HOSE ASSEMBLY, 1/2 x ____
35	1	<u>A10362A-037</u>	<u>A10362A-037</u>	<u>A10362A-037</u>	<u>A10362A-044</u>	HOSE ASSEMBLY, 1/2 x ____
36	1	<u>A10324A-067</u>	<u>A10324A-070</u>	<u>A10324A-075</u>	<u>A10324A-077</u>	HOSE ASSEMBLY, 1/2 x ____
37	1	<u>A10093A-090</u>	<u>A10093A-087</u>	<u>A10093A-123</u>	<u>A10093A-090</u>	HOSE ASSEMBLY, 1-1/4 x ____
38	1	<u>A09903A-116</u>	<u>A09903A-116</u>	<u>A09903A-133</u>	<u>A09903A-120</u>	HOSE ASSEMBLY, 1-1/4 x ____
39	1	P0300-626	P0300-626	P0300-626	P0300-626	FITTING, 20MFOR-20FFORX90
40	4	A10094A-090	A10094A-090	A10094A-090	A10094A-090	HOSE ASSEMBLY, 1-1/4 x 90
41	1	029935P	029935P	029935P	029935P	MOUNT, Block Inlet
42	2	029937P	029937P	029937P	029937P	PLATE, Block Mount
43	4	P0001-06-004	P0001-06-004	P0001-06-004	P0001-06-004	BOLT, 3/8 UNC x 1
44	4	P0045-006	P0045-006	P0045-006	P0045-006	WASHER, Lock 3/8
45	1	029936P	029936P	029936P	029936P	MOUNT, Block Outlet
46	1	008146P00	008146P00	008146P00	008146P00	CAP, Pressure Line

DRUM ADVANCE HYDRAULICS 600, 029902A

600: SN F19325F00-16 & After



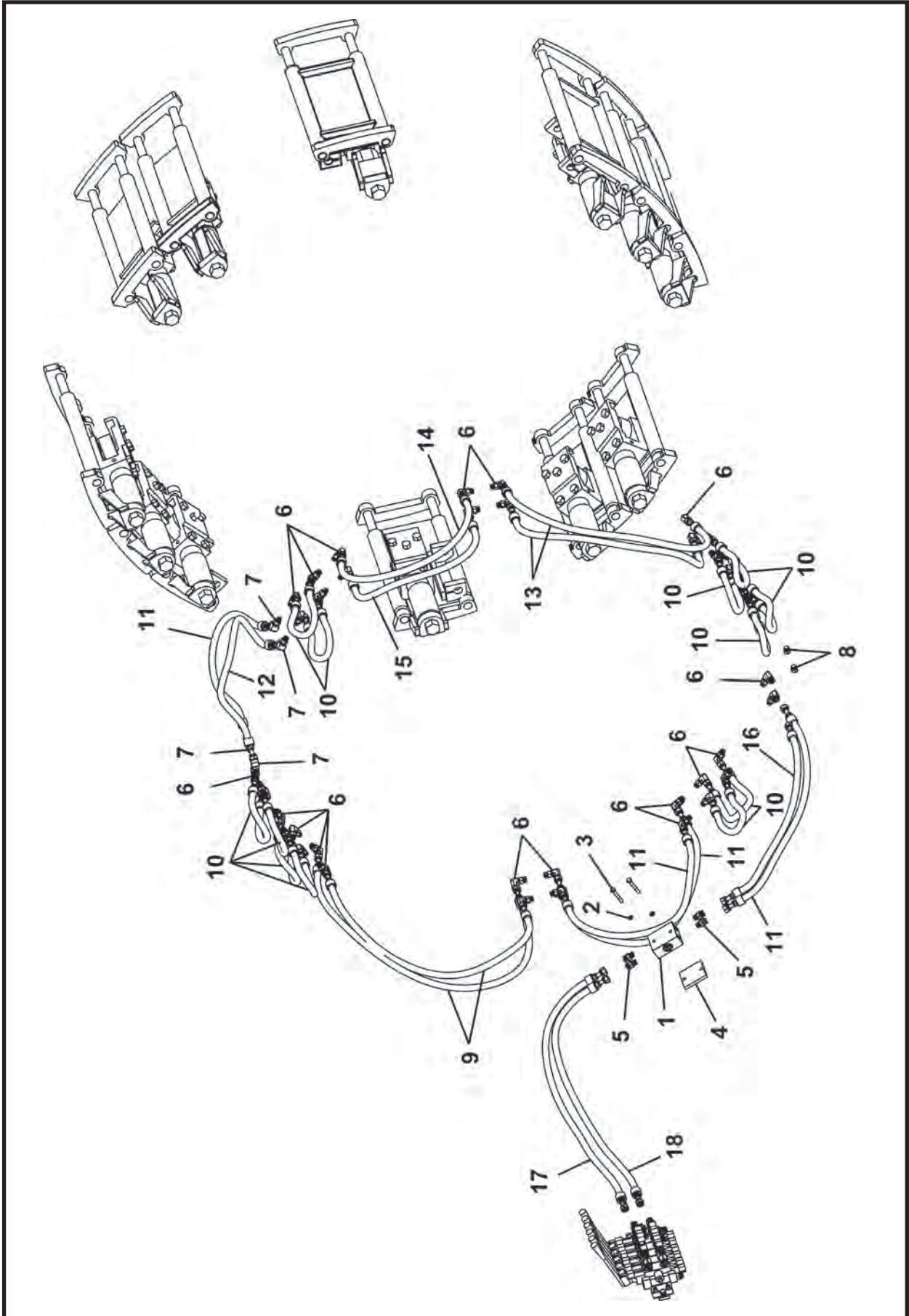
DRUM ADVANCE HYDRAULICS 600, 029902A

600: SN F19325F00-16 & After

ITEM	QTY	PART NO.	DESCRIPTION
0	1	029902A	HYDRAULICS, Drum Advance 600
1	1	P0302-532	VALVE, Check
2	2	P0045-005	WASHER, Lock 5/16
3	2	P0001-05-009	BOLT, 5/16 UNC x 2.25
4	1	029949P	PLATE, Check Valve
5	4	P0300-356	FITTING, 06MFOR-06MB
6	38	P0300-355	FITTING, 06MFOR-06MB90
7	4	P0300-612	FITTING, 06MFOR-06MB45
8	2	P0300-027	PLUG, 06MB
9	4	A10313A-038	HOSE ASSEMBLY, 3/8 x 38
10	10	A10313A-018	HOSE ASSEMBLY, 3/8 x 18
11	6	A10313A-031	HOSE ASSEMBLY, 3/8 x 31
12	1	A10313A-027	HOSE ASSEMBLY, 3/8 x 27
13	1	A10313A-026	HOSE ASSEMBLY, 3/8 x 26
14	1	A10079A-036	HOSE ASSEMBLY, 3/8 x 36
15	1	A10079A-035	HOSE ASSEMBLY, 3/8 x 35

DRUM ADVANCE HYDRAULICS 660, 029941A

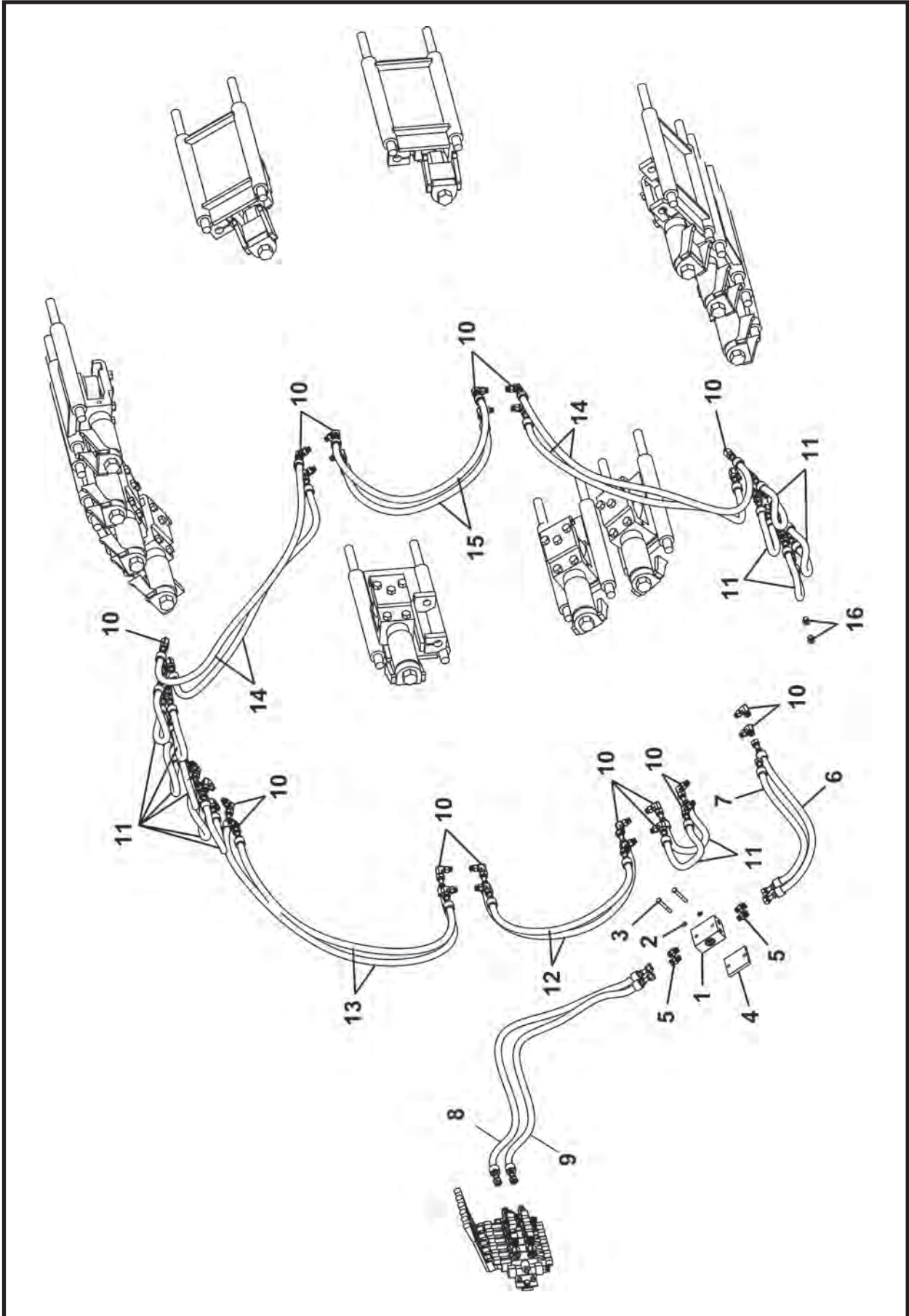
660: SN F04410F00-8 & After



DRUM ADVANCE HYDRAULICS 660, 029941A
660: SN F04410F00-8 & After

ITEM	QTY	PART NO.	DESCRIPTION
0	1	029941A	HYDRAULICS, Drum Advance 660
1	1	P0302-532	VALVE, Check
2	2	P0045-005	WASHER, Lock 5/16
3	2	P0001-05-009	BOLT, 5/16 UNC x 2.25
4	1	029949P	PLATE, Check Valve
5	4	P0300-356	FITTING, 06MFOR-06MB
6	42	P0300-355	FITTING, 06MFOR-06MB90
7	4	P0300-612	FITTING, 06MFOR-06MB45
8	2	P0300-027	PLUG, 06MB
9	2	A10313A-038	HOSE ASSEMBLY, 3/8 x 38
10	12	A10313A-013	HOSE ASSEMBLY, 3/8 x 13
11	4	A10313A-022	HOSE ASSEMBLY, 3/8 x 22
12	1	A10313A-027	HOSE ASSEMBLY, 3/8 x 27
13	2	A10313A-033	HOSE ASSEMBLY, 3/8 x 33
14	1	A10313A-031	HOSE ASSEMBLY, 3/8 x 31
15	1	A10313A-025	HOSE ASSEMBLY, 3/8 x 25
16	1	A10313A-026	HOSE ASSEMBLY, 3/8 x 26
17	1	A10313A-036	HOSE ASSEMBLY, 3/8 x 36
18	1	A10313A-035	HOSE ASSEMBLY, 3/8 x 35

DRUM ADVANCE HYDRAULICS 720, 029967A
720: SN F20800F00-19 & After



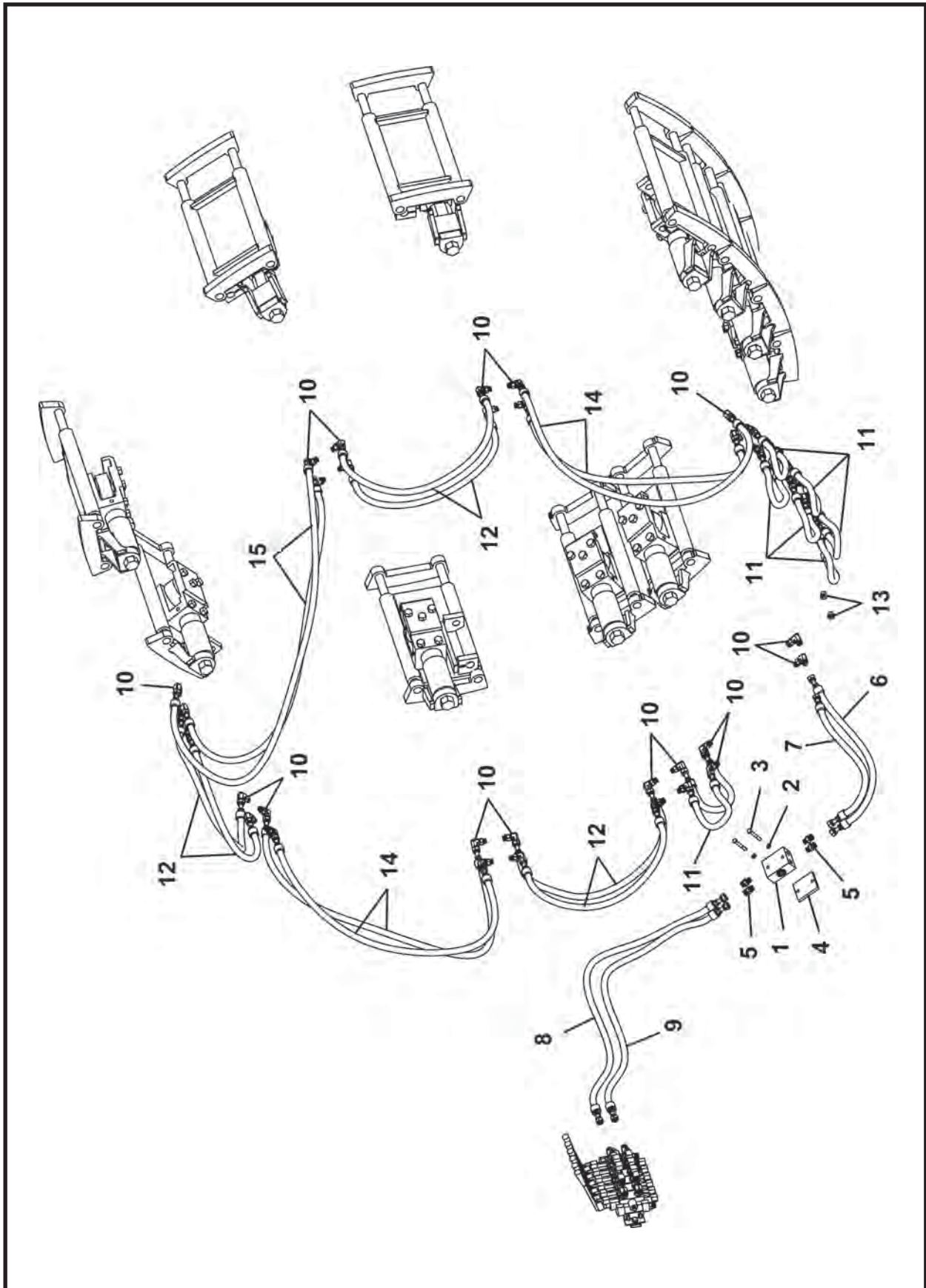
DRUM ADVANCE HYDRAULICS 720, 029967A

720: SN F20800F00-19 & After

ITEM	QTY	PART NO.	DESCRIPTION
0	1	029967A	HYDRAULICS, Drum Advance 720
1	1	P0302-532	VALVE, Check
2	2	P0045-005	WASHER, Lock 5/16
3	2	P0001-05-009	BOLT, 5/16 UNC x 2.25
4	1	029949P	PLATE, Check Valve
5	4	P0300-356	FITTING, 06MFOR-06MB
6	1	A10313A-027	HOSE ASSEMBLY, 3/8 x 27
7	1	A10313A-026	HOSE ASSEMBLY, 3/8 x 26
8	1	A10313A-036	HOSE ASSEMBLY, 3/8 x 36
9	1	A10313A-035	HOSE ASSEMBLY, 3/8 x 35
10	46	P0300-355	FITTING, 06MFOR-06MB90
11	12	A10313A-017	HOSE ASSEMBLY, 3/8 x 17
12	2	A10313A-030	HOSE ASSEMBLY, 3/8 x 30
13	2	A10313A-041	HOSE ASSEMBLY, 3/8 x 41
14	4	A10313A-050	HOSE ASSEMBLY, 3/8 x 50
15	2	A10313A-038	HOSE ASSEMBLY, 3/8 x 38
16	2	P0300-027	PLUG, 06MB

DRUM ADVANCE HYDRAULICS 780, 029978A

780: SN F2500F-4 & After



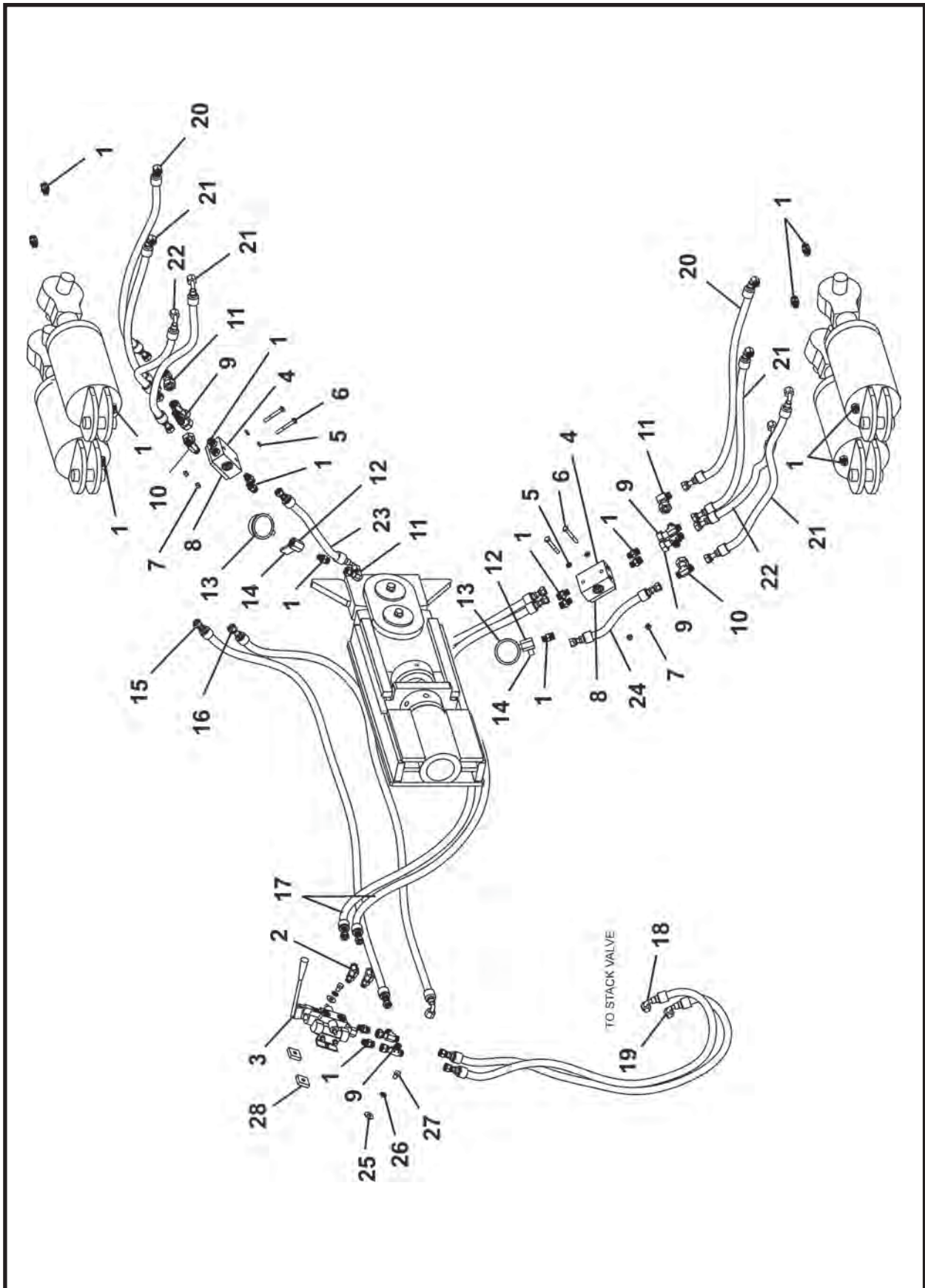
DRUM ADVANCE HYDRAULICS 780, 029978A

780: SN F25000F-4 & After

ITEM	QTY	PART NO.	DESCRIPTION
0	1	029978A	HYDRAULICS, Drum Advance 780
1	1	P0302-532	VALVE, Check
2	2	P0045-005	WASHER, Lock 5/16
3	2	P0001-05-009	BOLT, 5/16 UNC x 2.25
4	1	029949P	PLATE, Check Valve
5	4	P0300-356	FITTING, 06MFOR-06MB
6	1	A10313A-027	HOSE ASSEMBLY, 3/8 x 27
7	1	A10313A-026	HOSE ASSEMBLY, 3/8 x 26
8	1	A10313A-036	HOSE ASSEMBLY, 3/8 x 36
9	1	A10313A-035	HOSE ASSEMBLY, 3/8 x 35
10	42	P0300-355	FITTING, 06MFOR-06MB90
11	8	A10313A-017	HOSE ASSEMBLY, 3/8 x 17
12	6	A10313A-030	HOSE ASSEMBLY, 3/8 x 30
13	2	P0300-027	PLUG, 06MB
14	4	A10313A-038	HOSE ASSEMBLY, 3/8 x 38
15	2	A10313A-050	HOSE ASSEMBLY, 3/8 x 50

STEERING HYDRAULICS 600 - 660 - 720

600: SN F19325F-16 & After; 660: SN F04410F-8 & After; 720: SN F20800F-19 & After



STEERING HYDRAULICS 600 - 660 - 720

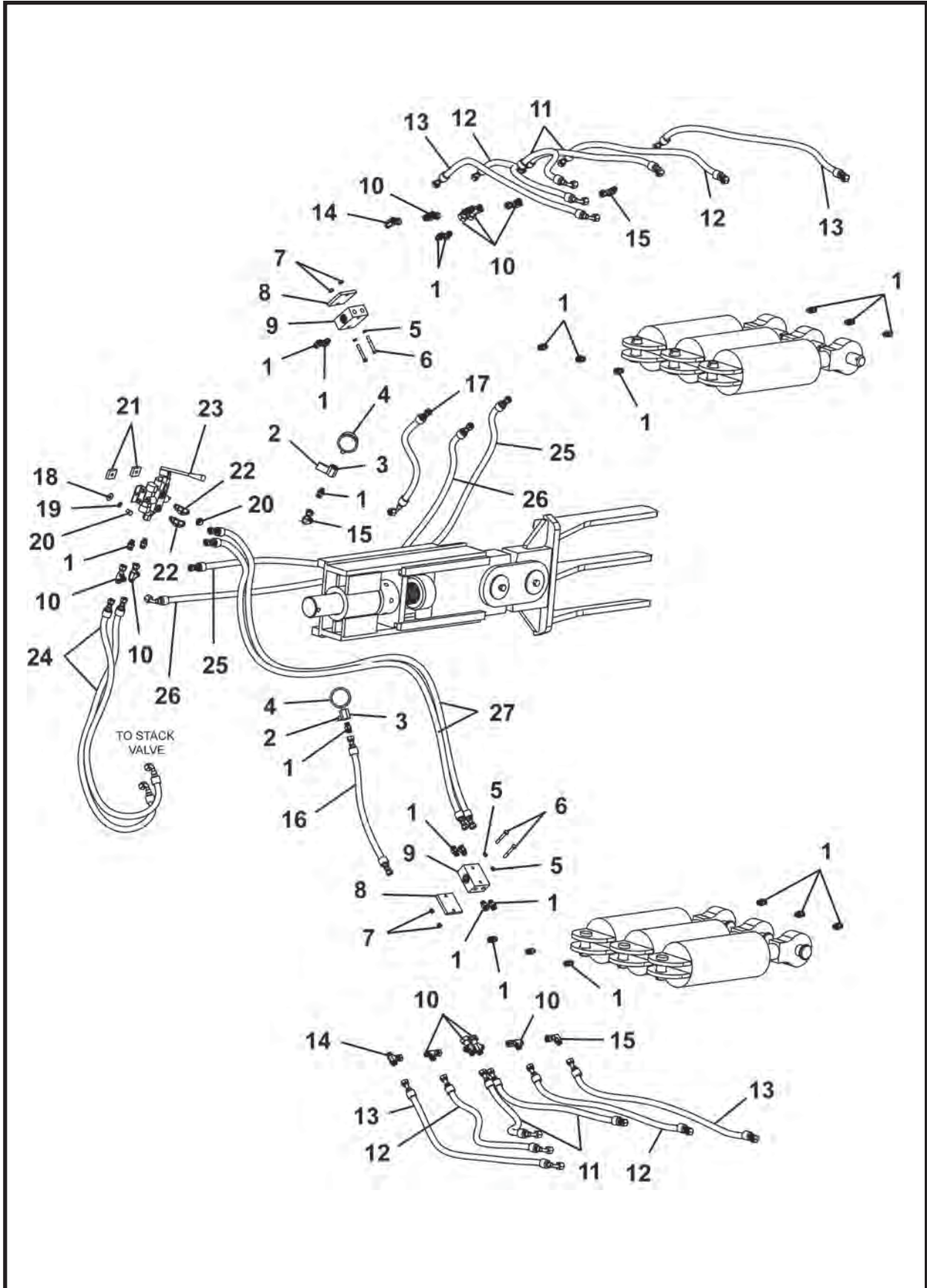
600: SN F19325F-16 & After; 660: SN F04410F-8 & After; 720: SN F20800F-19 & After

ITEM	QTY	600 PART NO.	660 PART NO.	720 PART NO.	DESCRIPTION
0	1	029903A	029942A	029968A	HYDRAULICS, Steering
1	20	P0300-356	P0300-356	P0300-356	FITTING, 06MFOR-06MB
2	2	P0300-355	P0300-355	P0300-355	FITTING, 06MFOR-06MB90
3*	1	P0302-118	P0302-118	P0302-118	VALVE, Steering
4	2	P0302-535	P0302-535	P0302-535	VALVE, Check
5	4	P0045-005	P0045-005	P0045-005	WASHER, Lock 5/16
6	4	P0001-05-009	P0001-05-009	P0001-05-009	BOLT, 5/16 UNC x 2.25
7	4	P0003-05-000	P0003-05-000	P0003-05-000	NUT, 5/16
8	2	029949P	029949P	029949P	PLATE, Check Valve
9	6	P0300-613	P0300-613	P0300-613	FITTING, 06MFOR-06FFORX-06MFOR
10	2	P0300-602	P0300-602	P0300-602	FITTING, 06MFOR-06MFOR-06FFORX
11	3	P0300-603	P0300-603	P0300-603	FITTING, 06MFOR-06FFORX90
12	2	029921P	029921P	029921P	FITTING
13	2	P0301-149	P0301-149	P0301-149	GAUGE, 5000 PSI
14	2	029927P	029927P	029927P	PLATE, Mount
15	1	<u>A10313A-060</u>	<u>A10313A-063</u>	<u>A10313A-066</u>	HOSE ASSEMBLY, 3/8 x ____
16	1	<u>A10079A-070</u>	<u>A10079A-067</u>	<u>A10079A-070</u>	HOSE ASSEMBLY, 3/8 x ____
17	2	<u>A10313A-069</u>	<u>A10313A-072</u>	<u>A10313A-075</u>	HOSE ASSEMBLY, 3/8 x ____
18	1	<u>A10079A-035</u>	<u>A10079A-037</u>	<u>A10079A-039</u>	HOSE ASSEMBLY, 3/8 x ____
19	1	<u>A10079A-039</u>	<u>A10079A-041</u>	<u>A10079A-042</u>	HOSE ASSEMBLY, 3/8 x ____
20	2	<u>A10079A-021</u>	<u>A10079A-024</u>	<u>A10079A-027</u>	HOSE ASSEMBLY, 3/8 x ____
21	4	<u>A10079A-016</u>	<u>A10079A-020</u>	<u>A10079A-023</u>	HOSE ASSEMBLY, 3/8 x ____
22	2	<u>A10079A-013</u>	<u>A10079A-015</u>	<u>A10079A-017</u>	HOSE ASSEMBLY, 3/8 x ____
23	1	<u>A10079A-015</u>	<u>A10079A-014</u>	<u>A10079A-014</u>	HOSE ASSEMBLY, 3/8 x ____
24	1	A10313A-019	A10313A-019	A10313A-019	HOSE ASSEMBLY, 3/8 x 19
25	2	P0040-006	P0040-006	P0040-006	WASHER, Hardened Flat 3/8
26	2	P0045-006	P0045-006	P0045-006	WASHER, Lock 3/8
27	2	P0001-06-002	P0001-06-002	P0001-06-002	BOLT, 3/8 UNC x 0.5
28	2	P0011-006A	P0011-006A	P0011-006A	NUT
29	48/62/65	P0068-024	P0068-024	P0068-024	BELTING, PVC 1/4 x 24

* Refer to Section 7, Valves for parts information. Be sure load check balls are removed before operation. Contact your Akkerman Aftermarket Support representative for more information.

STEERING HYDRAULICS 780, 029979A

780: SN F2500F-4 & After



STEERING HYDRAULICS 780, 029979A
780: SN F25000F-4 & After

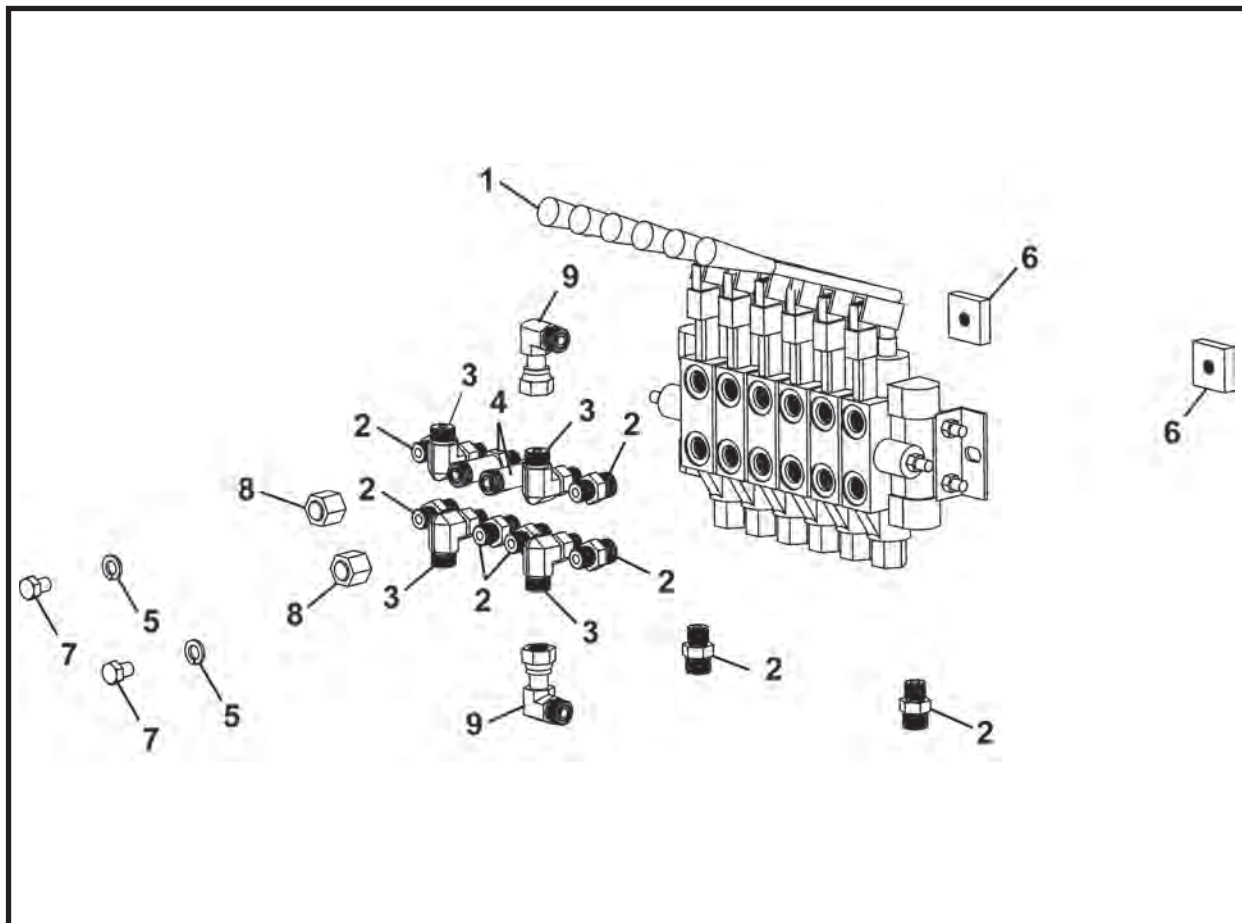
ITEM	QTY	PART NO.	DESCRIPTION
0	1	029979A	HYDRAULICS, Drum Advance 780
1	24	P0300-356	FITTING, 06MFOR-06MB
2	2	029927P	PLATE, Mount
3	2	029921P	FITTING
4	2	P0301-149	GAUGE, 5000 PSI
5	4	P0045-005	WASHER, Lock 5/16
6	4	P0001-05-009	BOLT, 5/16 UNC x 2.25
7	4	P0003-05-000	NUT, 5/16
8	2	029949P	PLATE, Check Valve
9	2	P0302-535	VALVE, Check
10	10	P0300-613	FITTING, 06MFOR-06FFORX-06MFOR
11	4	A10079A-024	HOSE ASSEMBLY, 3/8 x 24
12	4	A10079A-031	HOSE ASSEMBLY, 3/8 x 31
13	4	A10079A-038	HOSE ASSEMBLY, 3/8 x 38
14	2	P0300-602	FITTING, 06MFOR-06MFOR-06FFORX
15	3	P0300-603	FITTING, 06MFOR-06FFORX90
16	1	A10313A-020	HOSE ASSEMBLY, 3/8 x 20
17	1	A10079A-023	HOSE ASSEMBLY, 3/8 x 23
18	2	P0040-006	WASHER, Hardened Flat 3/8
19	2	P0045-006	WASHER, Lock 3/8
20	2	P0001-06-002	BOLT, 3/8 UNC x 0.5
21	2	P0011-006A	NUT
22	2	P0300-355	FITTING, 06MFOR-06MB90
23*	1	P0302-118	VALVE, Steering
24	2	A10079A-058	HOSE ASSEMBLY, 3/8 x 58
25	1	A10313A-067	HOSE ASSEMBLY, 3/8 x 67
26	1	A10079A-069	HOSE ASSEMBLY, 3/8 x 69
27	2	A10313A-076	HOSE ASSEMBLY, 3/8 x 76
28	75	P0068-024	BELTING, PVC 1/4 x 24

* Refer to Section 7, Valves for parts information. Be sure load check balls are removed before operation.

CONTROL VALVE ASSEMBLY

600: SN F19325F-16 & After; 660: SN F04410F-8 & After;

720: SN F20800F-19 & After; 780: SN F25000F-4 & After



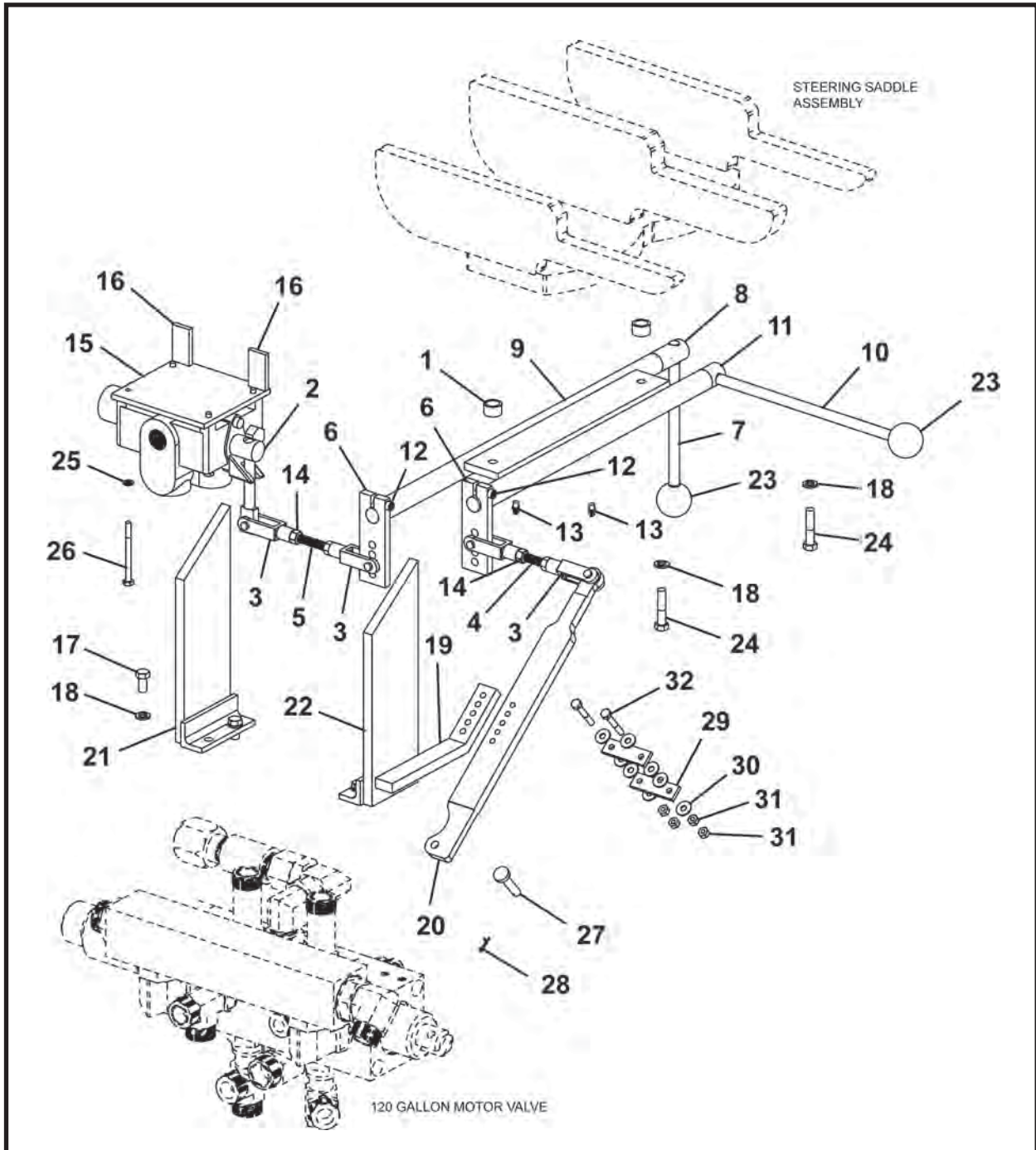
ITEM	QTY	600 PART NO.	660 PART NO.	720 PART NO.	780 PART NO.	DESCRIPTION
0	1	029960A	030054A	029924A	029924A	ASSEMBLY, Control Valve
1*	1	P0302-260	P0302-260	P0302-260	P0302-260	VALVE, 6 Section
2	8	P0300-356	P0300-356	P0300-356	P0300-356	FITTING, 06MFOR-06MB
3	4	P0300-355	P0300-355	P0300-355	P0300-355	FITTING, 06MFOR-06MB90
4	2	P0300-605	P0300-605	P0300-605	P0300-605	FITTING, 06MFOR-06MBLG
5	2	P0045-006	P0045-006	P0045-006	P0045-006	WASHER, Lock 3/8
6	2	P0011-006A	P0011-006A	P0011-006A	P0011-006A	NUT
7	2	P0001-06-002	P0001-06-002	P0001-06-002	P0001-06-002	BOLT, 3/8 UNC x 0.5
8	2	P0300-390	P0300-390	P0300-390	P0300-390	CAP, 06FOR-CAP
9	2	P0300-603	P0300-603	P0300-603	P0300-603	FITTING, 06MFOR-06FFORX90

* Refer to Section 7, Valves for parts information.

NOTES

HYDRAULIC CONTROL LINKAGE 600, 030020A

600: SN F19325F-16 & After



ITEM	QTY	PART NO.	DESCRIPTION
0	1	030020A	HYDRAULIC CONTROL LINKAGE 600
1	2	006645P	SPACER
2*	1	005344A	VALVE, Conveyor Drive
3	4	P0024-001	YOKE WITH CLEVIS PIN
4	1	P0023-374A-2.5	ROD, Threaded 3/8 UNF x 2.5
5	1	P0023-374A-3.25	ROD, Threaded 3/8 UNF x 3.25
6	2	002796P00	BAR, Valve Link
7	1	002799P00	ROD, Valve Link
8	1	006342P00	SHAFT

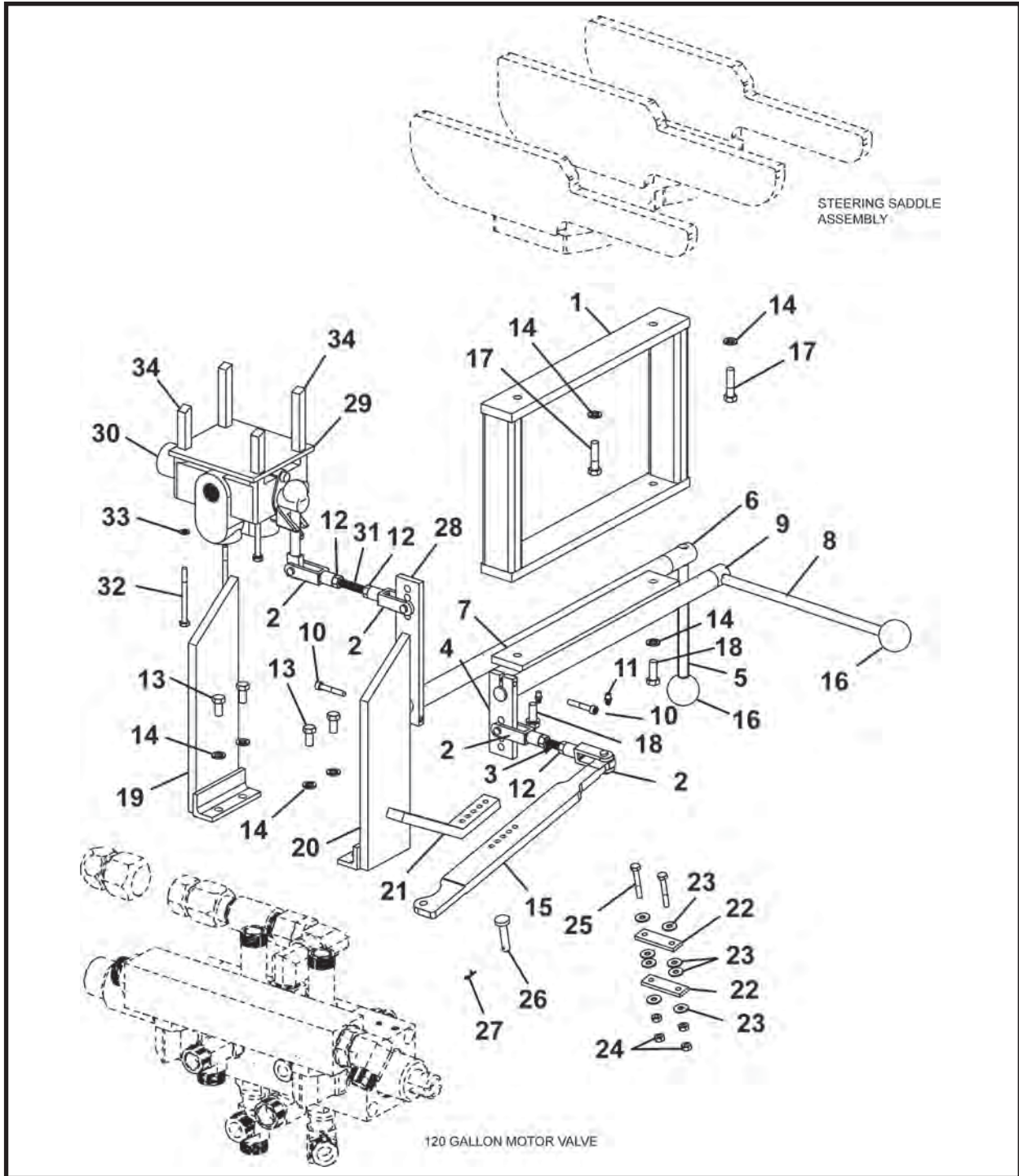
HYDRAULIC CONTROL LINKAGE 600, 030020A

600: SN F19325F-16 & After

ITEM	QTY	PART NO.	DESCRIPTION
9	1	006338A00	LINKAGE, Valve
10	1	004063P00	ROD
11	1	006343P00	SHAFT
12	2	P0031-04-006	SCREW, Socket Head Cap 1/4 UNC x 1.5
13	2	P0063-001	FITTING, Grease
14	4	P0004-06-000	NUT, 3/8 UNF
15	1	006673P	PLATE
16	2	006674P	BAR
17	4	P0001-06-003	BOLT, 3/8 UNC x .75
18	6	P0045-006	WASHER, Lock 3/8
19	1	006698P	MOUNT, Motor Valve Pivot
20	1	010276P00	LINKAGE, Motor Valve
21	1	006697A	MOUNTING, Back
22	1	006696A	MOUNTING, Front
23	2	P0059-009	KNOB
24	2	P0001-06-007	BOLT, 3/8 UNC x 1.75
25	4	P0045-004	WASHER, Lock 1/4
26	4	P0001-04-014	BOLT, 1 UNC x 4
27	1	003860P01	PIN, Valve
28	1	P0048-012	PIN, Cotter 3/32 x .75
29	2	006639P	PLATE, Link
30	8	P0040-004	WASHER, Hardened Flat 1/4
31	4	P0003-04-000	NUT, 1/4
32	2	P0001-04-007	SCREW, Hex Head 1/4 UNC x 1.75
33	2	012755P	STOP, Conveyor Lift

* Refer to Section 7, Valves for parts information.

HYDRAULIC CONTROL LINKAGE 660, 030021A
660: SN F04410F00-8 & After



ITEM	QTY	PART NO.	DESCRIPTION
0	1	030021A	HYDRAULIC CONTROL LINKAGE 660
1	1	030650A	LINKAGE, Valve
2	4	P0024-001	YOKE WITH CLEVIS PIN
3	1	P0023-374A-2.5	ROD, Threaded 3/8 UNF x 2.5
4	1	002796P00	BAR, Valve Link
5	1	002799P00	ROD, Valve Link
6	1	006342P00	SHAFT
7	1	006338A00	LINKAGE, Valve

HYDRAULIC CONTROL LINKAGE 660, 030021A

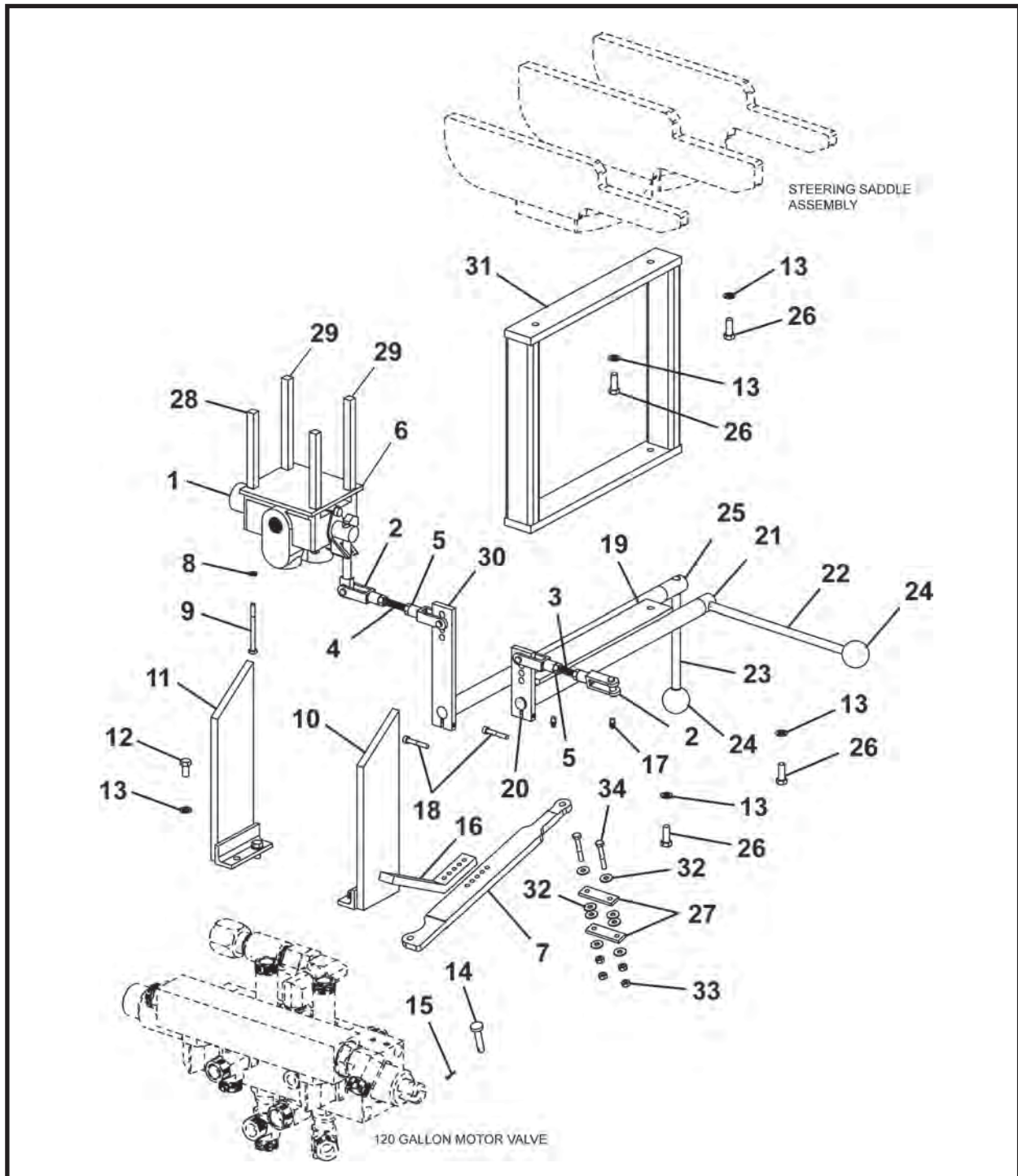
660: SN F04410F00-8 & After

ITEM	QTY	PART NO.	DESCRIPTION
8	1	004063P00	ROD
9	1	006343P00	SHAFT
10	2	P0031-04-006	SCREW, Socket Head Cap 1/4 UNC x 1.5
11	2	P0063-001	FITTING, Grease
12	4	P0004-06-000	NUT, 3/8 UNF
13	4	P0001-06-003	BOLT, 3/8 UNC x .75
14	8	P0045-006	WASHER, Lock 3/8
15	1	010276P00	LINKAGE, Motor Valve
16	2	P0059-009	KNOB
17	2	P0001-06-006	BOLT, 3/8 UNC x 1.5
18	2	P0001-06-004	BOLT, 3/8 UNC x 1
19	1	030035A	MOUNTING, Back
20	1	030036A	MOUNTING, Front
21	1	006698P	MOUNT, Motor Valve Pivot
22	2	006639P	PLATE, Link
23	8	P0040-004	WASHER, Hardened Flat 1/4
24	4	P0003-04-000	NUT, 1/4
25	2	P0001-04-007	SCREW, Hex Head 1/4 UNC x 1.75
26	1	003860P01	PIN, Valve
27	1	P0048-012	PIN, Cotter 3/32 x .75
28	1	030018P	BAR
29	1	006673P	PLATE
30*	1	005344A	VALVE, Conveyor Drive
31	1	P0023-374A-3.25	ROD, Threaded 3/8 UNF x 3.25
32	4	P0001-04-014	BOLT, 1 UNC x 4
33	4	P0045-004	WASHER, Lock 1/4
34	4	006678P	MOUNT, Drive Valve-Short
35	2	012755P	STOP, Conveyor Lift

* Refer to Section 7, Valves for parts information.

HYDRAULIC CONTROL LINKAGE 720, 030022A

720: SN F20800F00-19 & After



ITEM	QTY	PART NO.	DESCRIPTION
0	1	030022A	HYDRAULIC CONTROL LINKAGE 720
1*	1	005344A	VALVE, Conveyor Drive
2	4	P0024-001	YOKE WITH CLEVIS PIN
3	1	P0023-374A-2.5	ROD, Threaded 3/8 UNF x 2.5
4	1	P0023-374A-3.25	ROD, Threaded 3/8 UNF x 3.25
5	4	P0004-06-000	NUT, 3/8 UNF
6	1	006673P	PLATE

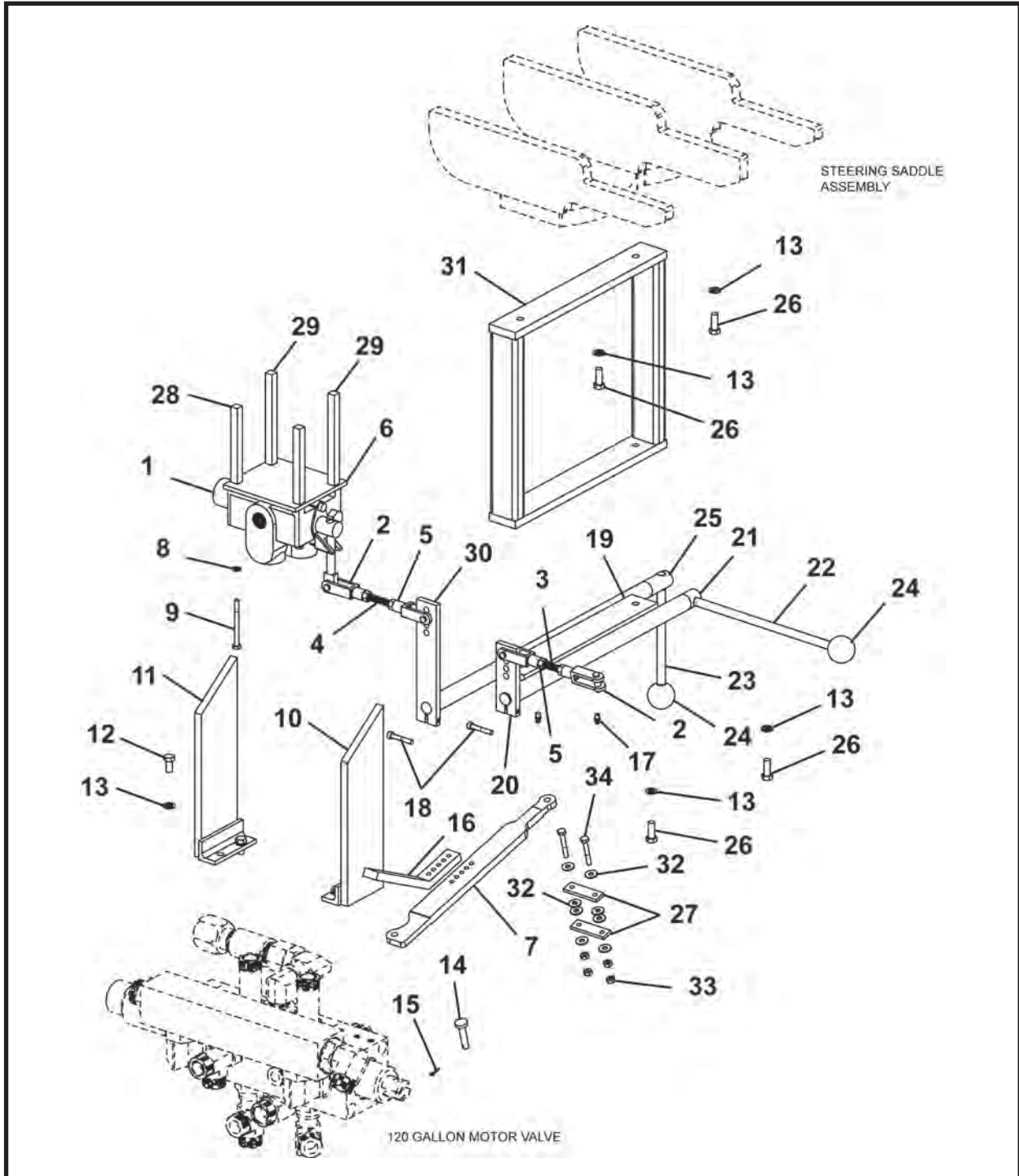
HYDRAULIC CONTROL LINKAGE 720, 030022A
720: SN F20800F00-19 & After

ITEM	QTY	PART NO.	DESCRIPTION
7	1	010276P00	LINKAGE, Motor Valve
8	4	P0045-004	WASHER, Lock 1/4
9	4	P0001-04-014	BOLT, 1 UNC x 4
10	1	030033A	MOUNTING, Front
11	1	030032A	MOUNTING, Back
12	4	P0001-06-003	BOLT, 3/8 UNC x .75
13	8	P0045-006	WASHER, Lock 3/8
14	1	003860P01	PIN, Valve
15	1	P0048-012	PIN, Cotter 3/32 x .75
16	1	006698P	MOUNT, Motor Valve Pivot
17	2	P0063-001	FITTING, Grease
18	2	P0031-04-006	SCREW, Socket Head Cap 1/4 UNC x 1.5
19	1	006338A00	LINKAGE, Valve
20	1	002796P00	BAR, Valve Link
21	1	006343P00	SHAFT
22	1	004063P00	ROD
23	1	002799P00	ROD, Valve Link
24	2	P0059-009	KNOB
25	1	006342P00	SHAFT
26	4	P0001-06-004	BOLT, 3/8 UNC x 1
27	2	006639P	PLATE, Link
28	2	006678P	MOUNT, Drive Valve-Short
29	2	006679P	MOUNT, Drive Valve-Long
30	1	030018P	BAR
31	1	030017A	LINKAGE, Valve
32	8	P0040-004	WASHER, Hardened Flat 1/4
33	4	P0003-04-000	NUT, 1/4
34	2	P0001-04-007	SCREW, Hex Head 1/4 UNC x 1.75
35	2	012755P	STOP, Conveyor Lift

* Refer to Section 7, Valves for parts information.

HYDRAULIC CONTROL LINKAGE 780, 030023A

780: SN F25000F-4 & After



ITEM	QTY	PART NO.	DESCRIPTION
0	1	030023A	HYDRAULIC CONTROL LINKAGE 780
1*	1	005344A	VALVE, Conveyor Drive
2	4	P0024-001	YOKE WITH CLEVIS PIN
3	1	P0023-374A-2.5	ROD, Threaded 3/8 UNF x 2.5
4	1	P0023-374A-3.25	ROD, Threaded 3/8 UNF x 3.25
5	4	P0004-06-000	NUT, 3/8 UNF
6	1	006673P	PLATE

HYDRAULIC CONTROL LINKAGE 780, 030023A

780: SN F25000F-4 & After

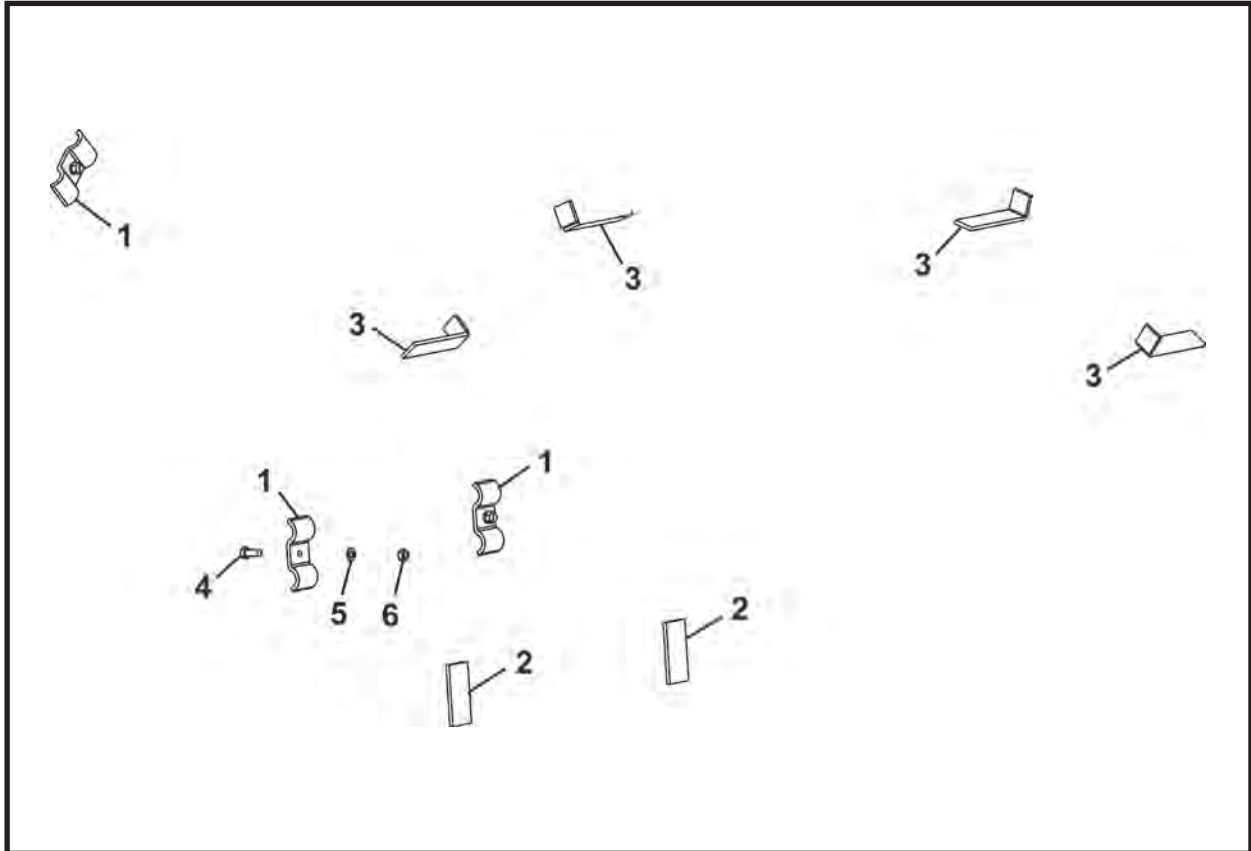
ITEM	QTY	PART NO.	DESCRIPTION
7	1	010276P00	LINKAGE, Motor Valve
8	4	P0045-004	WASHER, Lock 1/4
9	4	P0001-04-014	BOLT, 1 UNC x 4
10	1	030039A	MOUNTING, Front
11	1	030038A	MOUNTING, Back
12	4	P0001-06-003	BOLT, 3/8 UNC x .75
13	8	P0045-006	WASHER, Lock 3/8
14	1	003860P01	PIN, Valve
15	1	P0048-012	PIN, Cotter 3/32 x .75
16	1	006698P	MOUNT, Motor Valve Pivot
17	2	P0063-001	FITTING, Grease
18	2	P0031-04-006	SCREW, Socket Head Cap 1/4 UNC x 1.5
19	1	006338A00	LINKAGE, Valve
20	1	002796P00	BAR, Valve Link
21	1	006343P00	SHAFT
22	1	004063P00	ROD
23	1	002799P00	ROD, Valve Link
24	2	P0059-009	KNOB
25	1	006342P00	SHAFT
26	4	P0001-06-004	BOLT, 3/8 UNC x 1
27	2	006639P	PLATE, Link
28	2	006678P	MOUNT, Drive Valve-Short
29	2	006679P	MOUNT, Drive Valve-Long
30	1	030018P	BAR
31	1	030017A	LINKAGE, Valve
32	8	P0040-004	WASHER, Hardened Flat 1/4
33	4	P0003-04-000	NUT, 1/4
34	2	P0001-04-007	SCREW, Hex Head 1/4 UNC x 1.75
35	2	012755P	STOP, Conveyor Lift

* Refer to Section 7, Valves for parts information.

HOSE CLAMP ASSEMBLY, 002262A

600: SN F19325F-16 & After; 660: SN F04410F-8 & After;

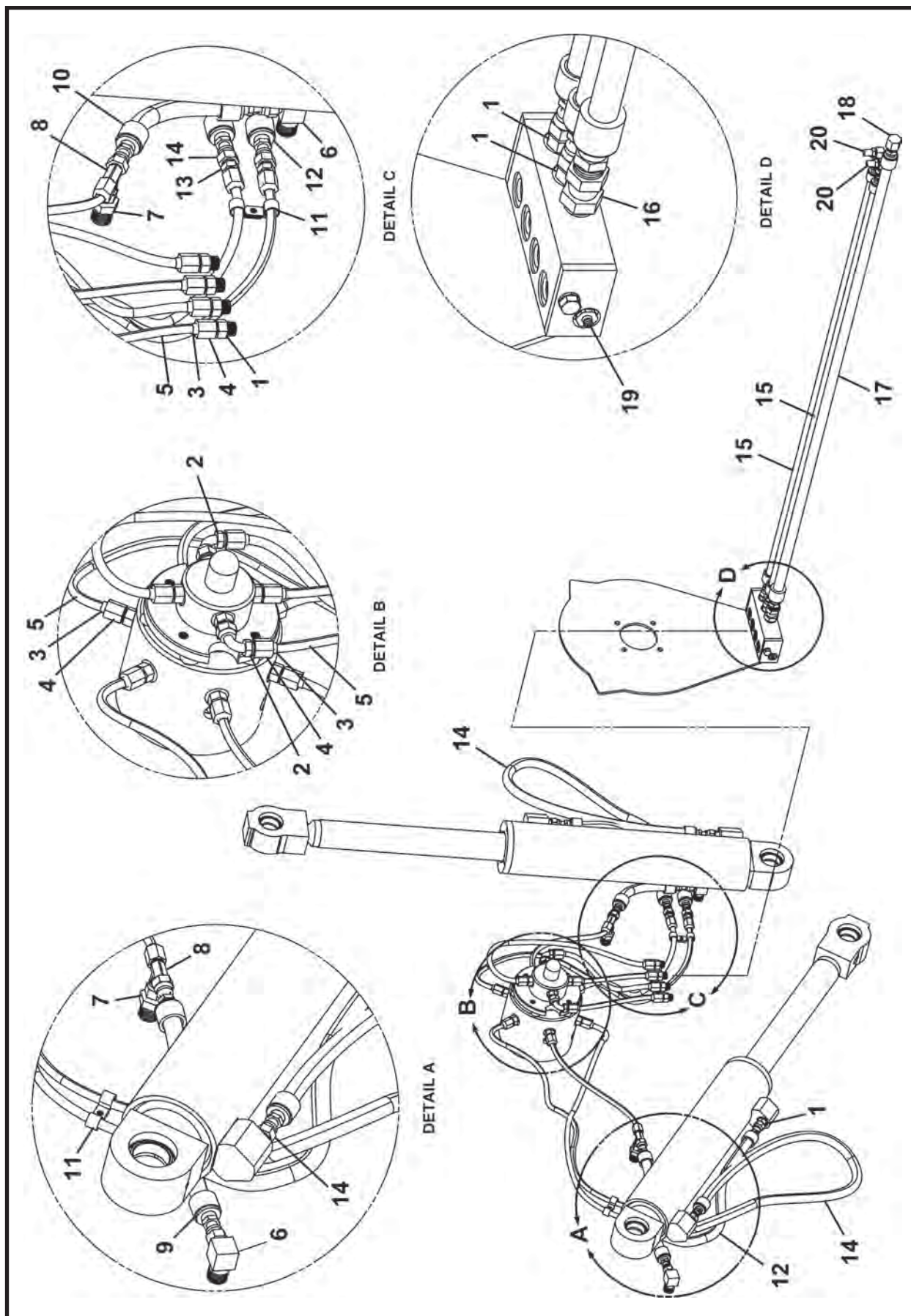
720: SN F20800F-19 & After; 780: SN F25000F-4 & After



ITEM	QTY	PART NO.	DESCRIPTION
0	1	002262A	HOSE CLAMP ASSEMBLY
1	3	002269P01	CLAMP, Line
2	2	002270P	HOSE HOLDER
3	4	002271P	HOSE HOLDER
4	3	P0001-05-003	BOLT, 5/16 UNC x .75
5	3	P0045-005	WASHER, Lock 5/16
6	3	P0003-05-000	NUT, 5/16

NOTES

CLOSED FACE ROTARY HUB HYDRAULIC ASSEMBLY 600 - 660, 027561A
600 - 660 CLOSED FACE (NEW STYLE)

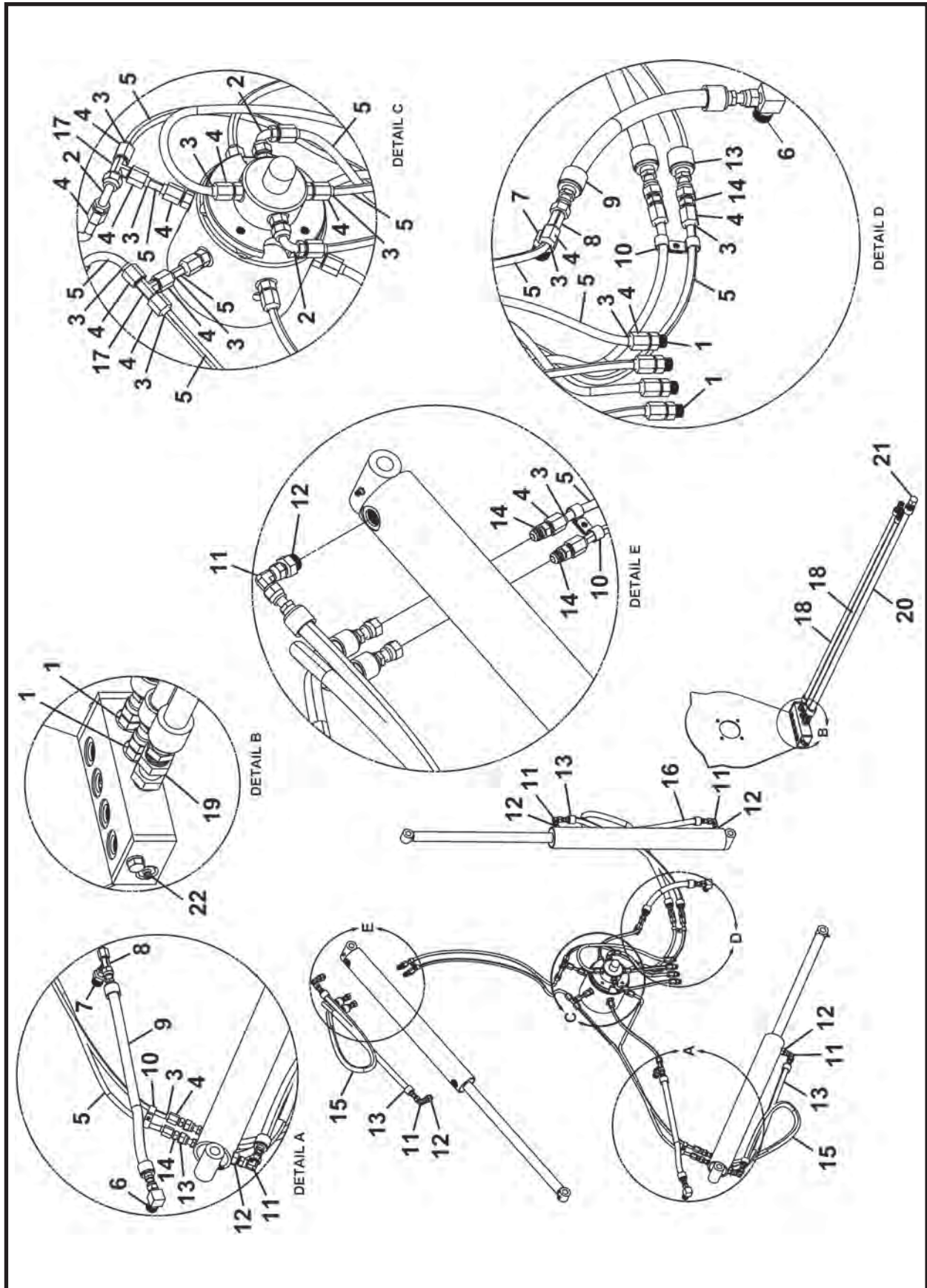


CLOSED FACE ROTARY HUB HYDRAULIC ASSEMBLY 600 - 660, 027561A
600 - 660 CLOSED FACE (NEW STYLE)

ITEM	QTY	PART NO.	DESCRIPTION
0	1	027561A	ROTARY HUB HYDRAULIC ASSEMBLY 600 - 660
1	10	P0300-041	FITTING, 06MJ-06MB
2	2	P0300-123	FITTING, 500454-6S
3	20	P0300-127	FITTING, 06TS
4	20	P0300-128	FITTING, 06TSN
5	190 LI	P0110-106	TUBING, Hydraulic Steel 3/8
6	2	P0300-014	FITTING, 06MJ-08MP90
7	2	P0300-120	FITTING, 06MJ-08MP
8	2	P0300-131	FITTING, 06MJ-06MJ-06FJX
9	1	A10311A-014	HOSE ASSEMBLY, 3/8 x 14
10	1	A10311A-008	HOSE ASSEMBLY, 3/8 x 8
11	4	P0055-126	CLAMP, Tubing 1/2
12	2	A10311A-025	HOSE ASSEMBLY, 3/8 x 25
13	4	P0300-129	FITTING, 06MJ-06MJ
14	2	A10311A-040	HOSE ASSEMBLY, 3/8 x 40
15	2	A10311A-090	HOSE ASSEMBLY, 3/8 x 90
16	1	P0300-010	FITTING, 08MP-08FPX
17	1	A10320A-120	HOSE ASSEMBLY, 1/2 x 120
18	1	P0417-003	CAP, Pipe 1/2
19	1	P0063-016	FITTING, Grease 1/4
20	2	P0300-042	FITTING, 06MJ-06MB90

LI - Linear Inch

CLOSED FACE ROTARY HUB HYDRAULIC ASSEMBLY 720 - 780, 020985A
720 - 780 CLOSED FACE (NEW STYLE)

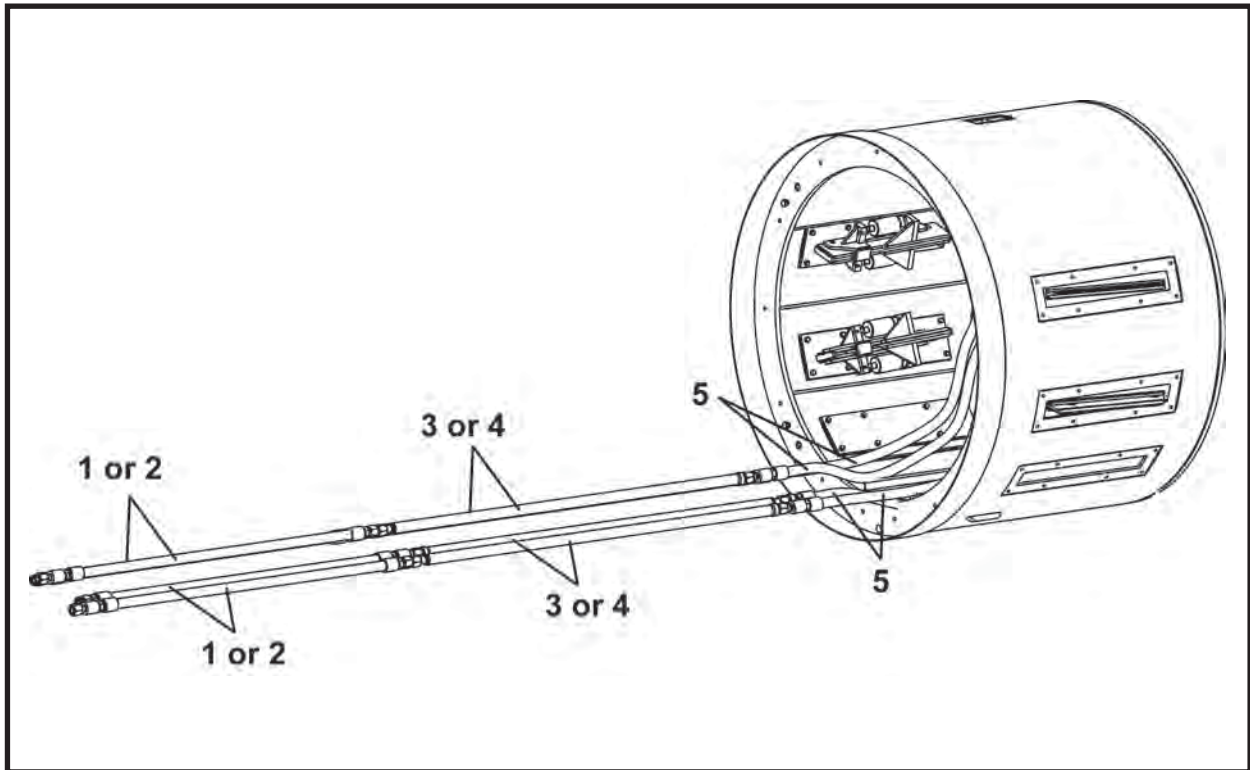


CLOSED FACE ROTARY HUB HYDRAULIC ASSEMBLY 720 - 780, 020985A
720 -780 CLOSED FACE (NEW STYLE)

ITEM	QTY	PART NO.	DESCRIPTION
0	1	020985A	ROTARY HUB HYDRAULIC ASSEMBLY 720 - 780
1	6	P0300-041	FITTING, 06MJ-06MB
2	3	P0300-123	FITTING, 500454-6S
3	28	P0300-127	FITTING, 06TS
4	28	P0300-128	FITTING, 06TSN
5	250 LI	P0110-106	TUBING, Hydraulic Steel 3/8
6	2	P0300-014	FITTING, 06MJ-08MP90
7	2	P0300-120	FITTING, 06MJ-08MP
8	2	P0300-131	FITTING, 06MJ-06MJ-06FJX
9	2	A10311A-014	HOSE ASSEMBLY, 3/8 x 14
10	6	P0055-126	CLAMP, Tubing 1/2
11	6	P0300-149	FITTING, 06MJ-06FJX90
12	6	P0300-269	FITTING, 06MJ-08MB
13	3	A10311A-028	HOSE ASSEMBLY, 3/8 x 28
14	6	P0300-129	FITTING, 06MJ-06MJ
15	2	A10311A-037	HOSE ASSEMBLY, 3/8 x 37
16	1	A10311A-040	HOSE ASSEMBLY, 3/8 x 40
17	2	P0300-138	FITTING, 06MJ-06MJ-06MJ
18	2	A10311A-090	HOSE ASSEMBLY, 3/8 x 90
19	1	P0300-010	FITTING, 08MP-08FPX
20	1	A10320A-120	HOSE ASSEMBLY, 1/2 x 120
21	1	P0417-003	CAP, Pipe 1/2
22	1	P0063-016	FITTING, Grease 1/4

LI - Linear Inch

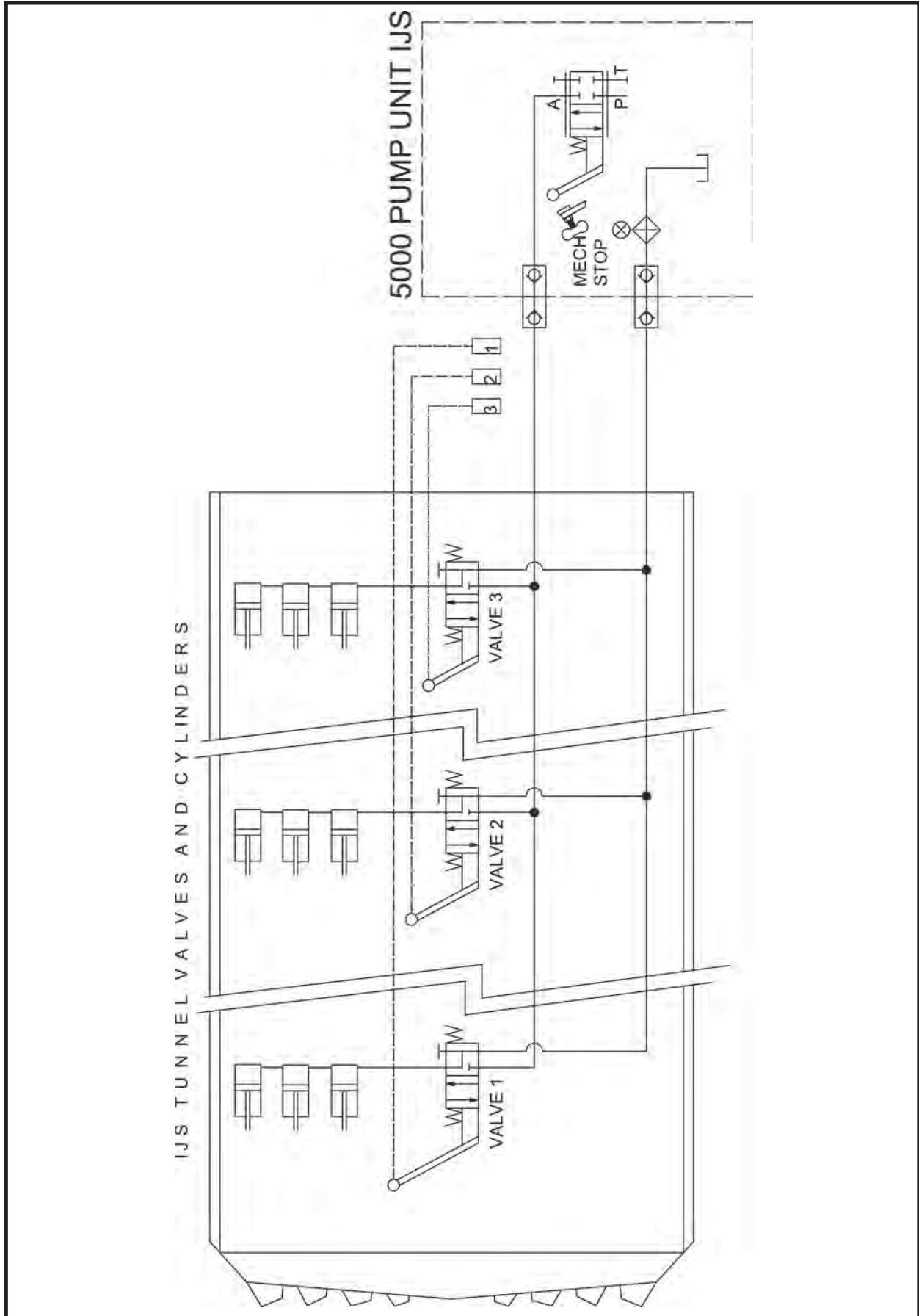
TBM HYDRAULIC TUNNEL LINES



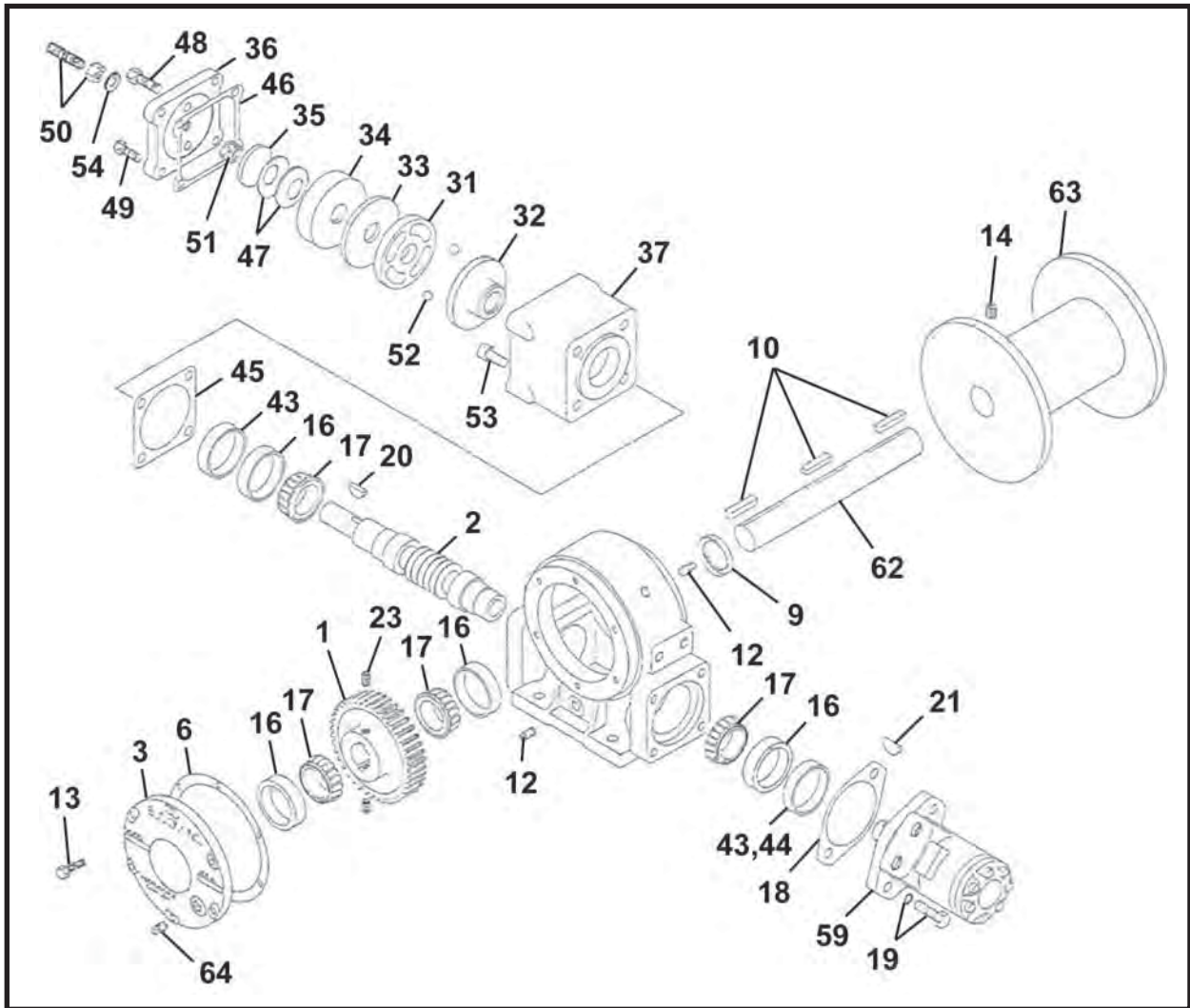
ITEM	QTY	PART NO.	DESCRIPTION
1	AR	F13598F00	HOSE ASSEMBLY, 1-1/4 x 20'
2	AR	F13597F00	HOSE ASSEMBLY, 1-1/4 x 35'
3	AR	F13325F	HYDRAULIC LINE, 1.5 x 10.5' (1-1/4 Ends)
4	AR	F13326F	HYDRAULIC LINE, 1.5 x 21' (1-1/4 Ends)
5	4	A10094A-090	HOSE ASSEMBLY, 1-1/4 x 90

AR - As Required (Per Job)

INTERMEDIATE JACKING STATION SCHEMATIC



HYDRAULIC WINCH, P0106-002



ITEM	QTY	PART NO.	DESCRIPTION
0	1	P0106-002	HYDRAULIC WINCH
1	1	-	GEAR
2	1	-	SHAFT
3	1	-	COVER, Gear Case
6	1	-	KIT, Gasket Cover
9	2	-	SEAL, Oil
10	4	-	KEY
12	3	-	PLUG, Pipe
13	6	-	SCREW, Socket Head Cap 5/16 UNC x .75
14	4	-	SCREW, Socket Set 1/2 x .5
16	4	-	CUP, Bearing
17	4	-	CONE, Bearing
18	1	-	KIT, Motor Gasket
19	2	-	SCREW, Cap 7/16 UNC x 1.5 & Lock Washer
20	1	-	KEY
21	1	-	KEY
23	2	-	SCREW, Socket Set 3/8 x .5
30	1	-	GEAR CASE
31	1	-	DISC, Moving Pressure

HYDRAULIC WINCH, P0106-002

ITEM	QTY	PART NO.	DESCRIPTION
32	1	-	DISC, Keyed Pressure
33	1	-	PLATE, Friction
34	1	-	PAD, Pressure
35	1	-	DISC, Pressure
36	1	-	COVER, Brake
37	1	-	HOUSING, Brake
43	1	-	SPACER (1.065")
44	1	-	SPACER (1.210")
45	1	-	KIT, Brake Housing Gasket
46	1	-	GASKET, Brake Cover
47	2	-	SPRING
48	2	-	BOLT, Pressure Pad, & Copper Sealing Washer
49	4	-	SCREW, Cap 3/8 UNC x 1.25
50	1	-	SCREW, Adjustment 1/2 UNF x 2.5 & Nut
51	1	-	SPRING, Retaining
52	2	-	BALL, Steel
53	4	-	SCREW, Socket Head Cap 7/16 UNC x 1
54	1	-	WASHER, Sealing
59	1	-	MOTOR
62	1	-	SHAFT
63	2	-	DRUM
64	1	-	PLUG, Pipe
65*	2	-	PLUG, Pipe (for brake housing)

* Not Shown

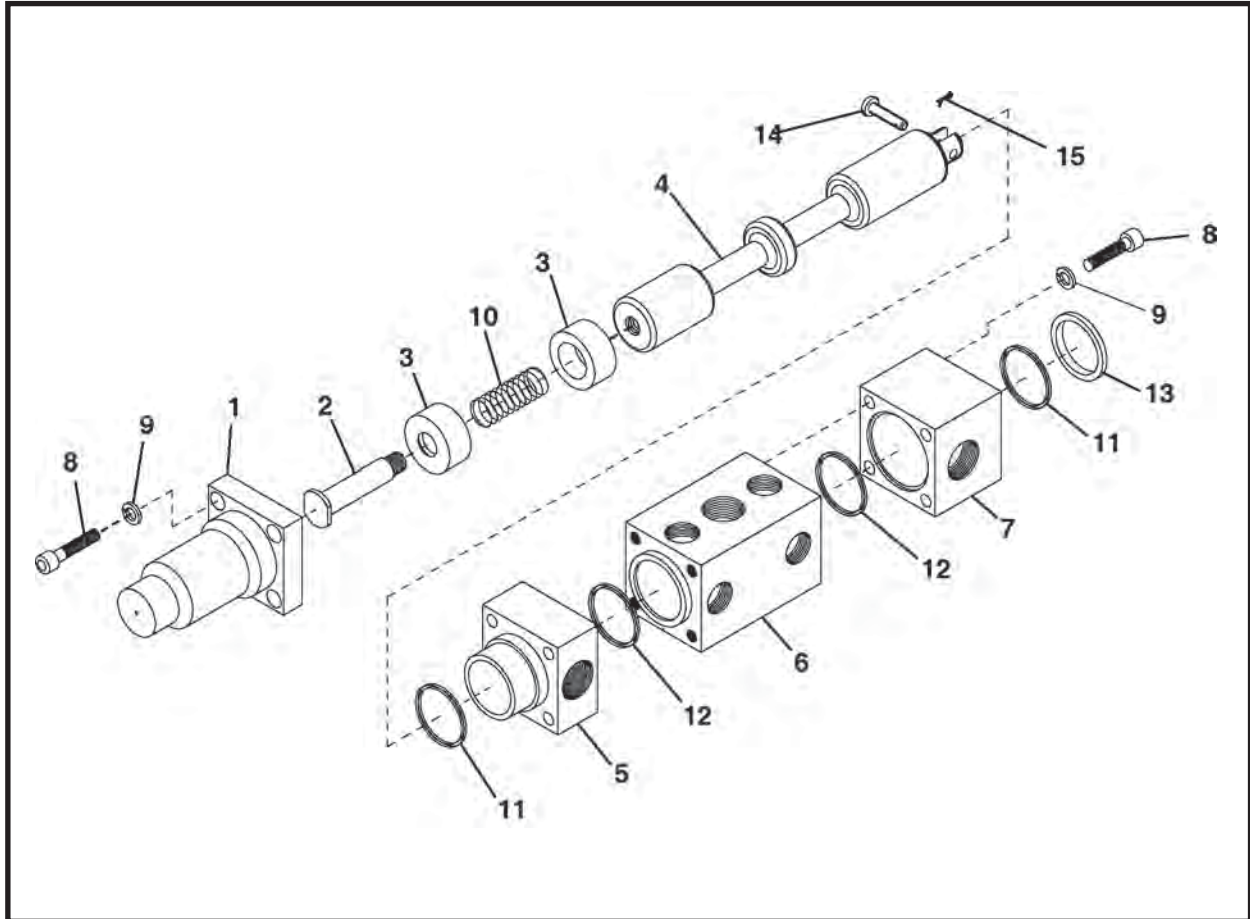
NOTES



Valves

Inner Drum Motor Control Valve, 007579A00	2
Steering Valve, P0302-118	3
TBM Control Valve, P0302-260	4
 Conveyor Drive Valve	
600 (SN 15 & Before), 660 (SN 7 & Before), 720 (SN 18 & Before), and 780 (SN 3 & Before) , P0302-109	6
600 (SN 16 & After), 660 (SN 8 & After), 720 (SN 19 & After), and 780 (SN 4 & After) , 005344A	7
 Conveyor Control Valve (Safety Valve)	
600 (SN 15 & Before), 660 (SN 7 & Before), 720 (SN 18 & Before), and 780 (SN 3 & Before) , P0302-183	8
600 (SN 16 & After), 660 (SN 8 & After), 720 (SN 19 & After), and 780 (SN 4 & After) , 029920A	9
 Flow Control Valve	
600 (SN 15 & Before), 660 (SN 7 & Before), 720 (SN 18 & Before), and 780 (SN 3 & Before) , P0302-112	10
600 (SN 16 & After), 660 (SN 8 & After), 720 (SN 19 & After), and 780 (SN 4 & After) , P0302-533	11

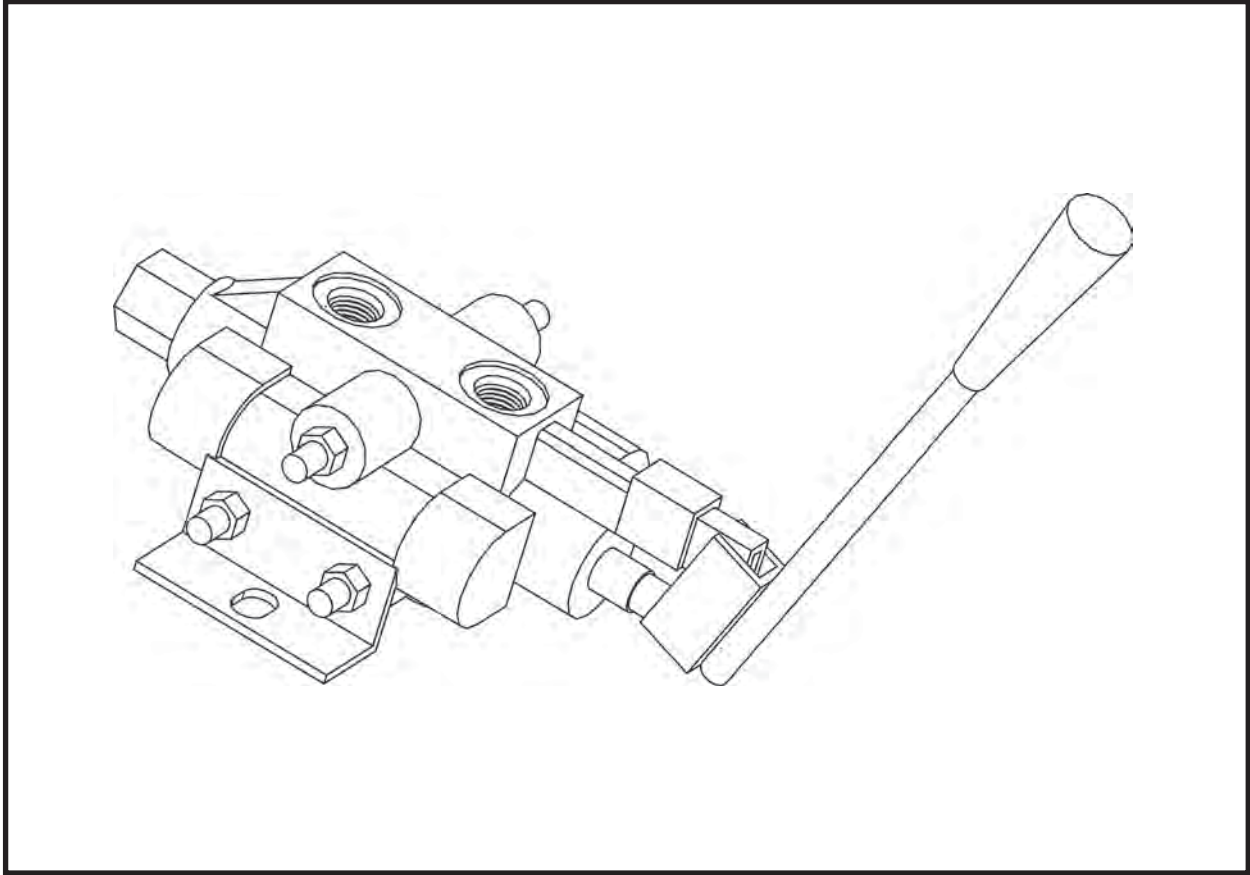
INNER DRUM MOTOR CONTROL VALVE, 007579A00



ITEM	QTY	PART NO.	DESCRIPTION
0	1	007579A00	VALVE, Inner Drum Motor Control (Includes items 1 - 15)
1	1	007585P01	BLOCK
2	1	007583P00	PIN
3	2	007582P00	SPACER
4	1	007581P00	SHAFT
5	1	007584P01	BLOCK, End
6	1	007586P01	BODY
7	1	007580P01	BLOCK, End
8	8	P0031-08-014	SCREW, Socket Head Cap 1/2-13 UNC x 3-1/2
9	8	P0046-008	WASHER, Hi-Collar Lock 1/2
10	1	P0070-019	SPRING
11*	2	P0085-228	ORING
12*	2	P0085-234	ORING
13*	1	P0087-004	WIPER
14	1	003860P01	PIN, Valve BH
15	1	P0048-012	KEY, Cotter
16	A/N	007587A00	KIT, Seal

* Included in item 16, 007587A00, Seal Kit.
A/N - As Needed

STEERING VALVE, P0302-118

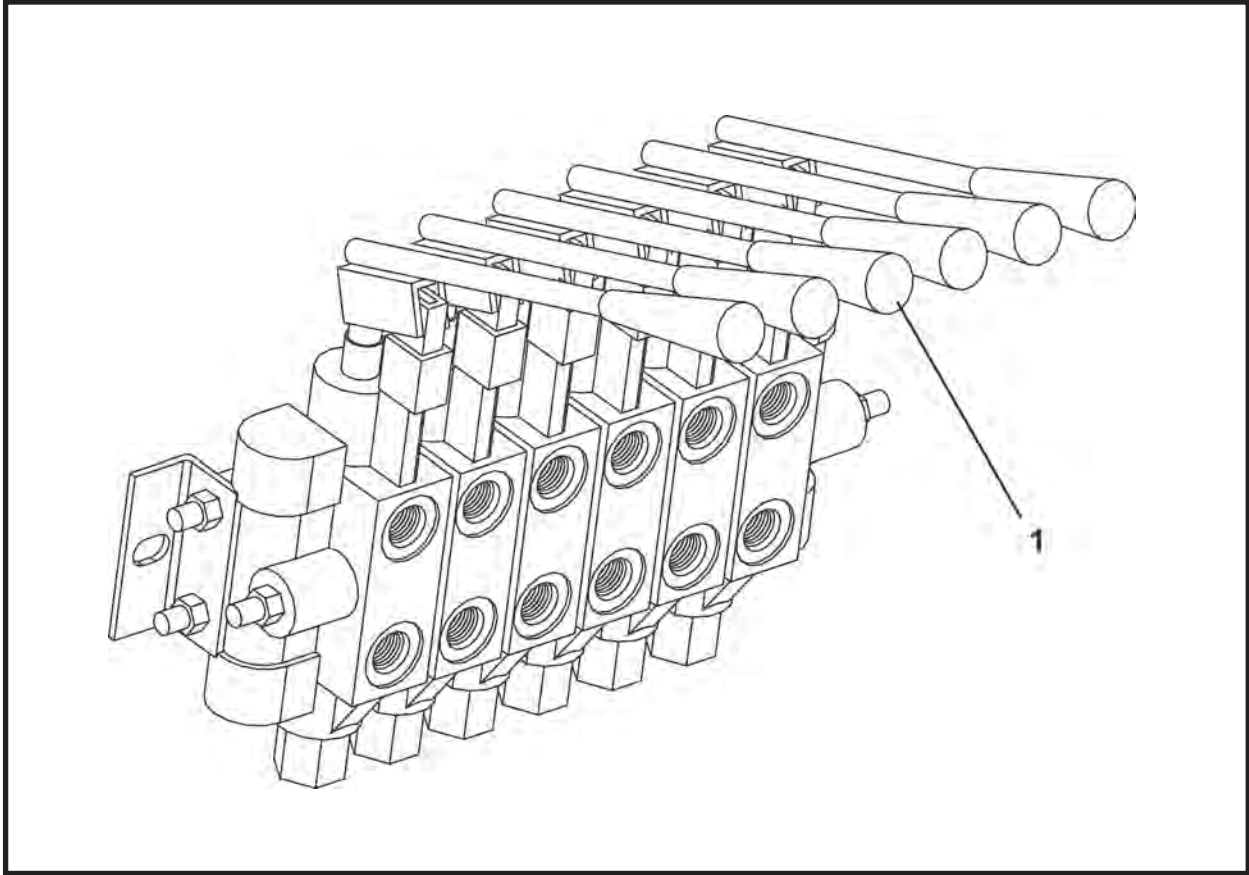


ITEM	QTY	PART NO.	DESCRIPTION
0	1	P0302-118	VALVE, Steering
1*	1	P0302-118A	SPOOL
2*	1	P0302-118B	KIT, Valve
3*	1	P0302-118C	KIT, Handle
4*	1	P0302-118E	ORING
5*	1	P0302-118F	WASHER

* Not Shown

Note: Be sure load check balls are removed before operation. Contact your Akkerman Aftermarket Support representative for more information.

TBM CONTROL VALVE, P0302-260

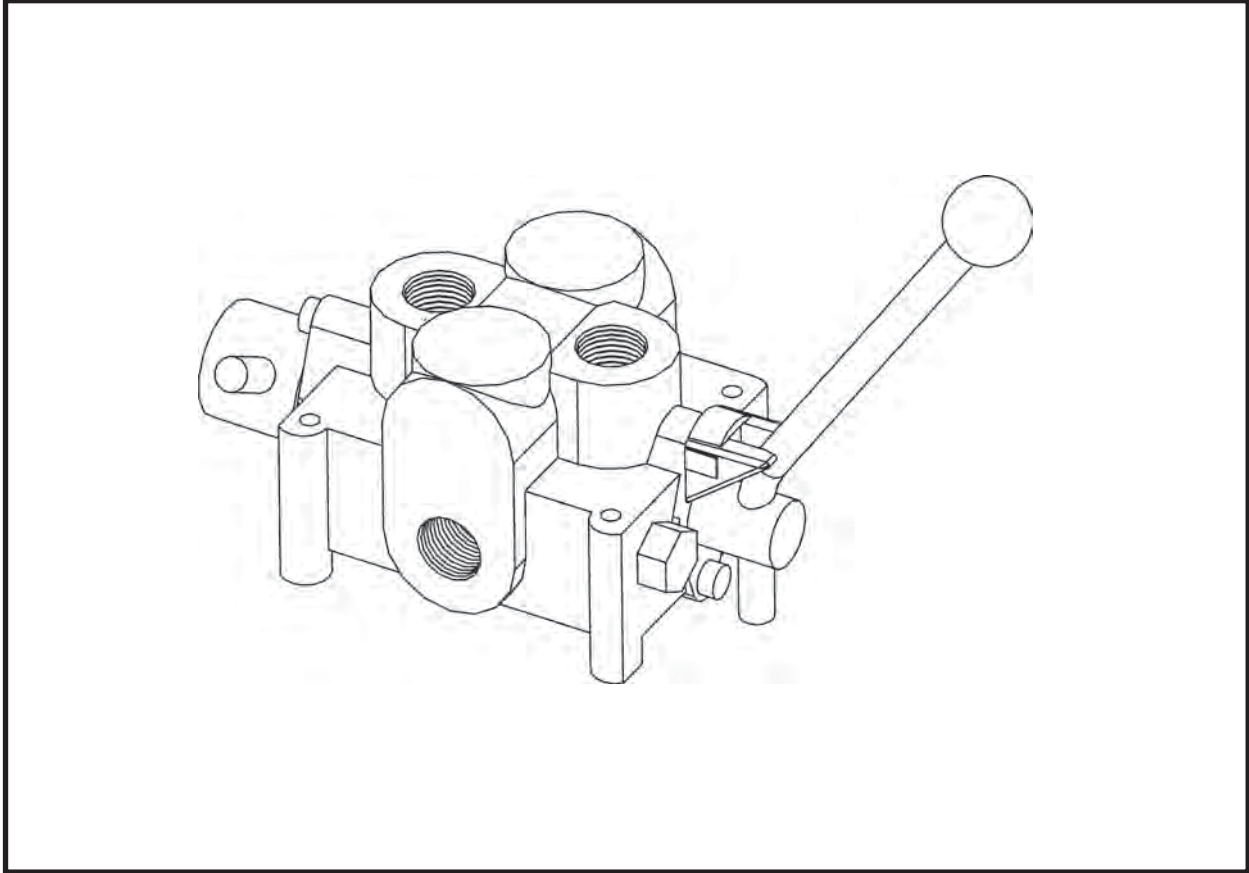


ITEM	QTY	PART NO.	DESCRIPTION
0	1	P0302-260	VALVE, TBM Control
1	6	P0302-118C	KIT, Handle
2	*	P0302-118E	ORING

* There are 5 orings between each stack.

NOTES

CONVEYOR DRIVE CONTROL VALVE, P0302-109
600: SN F19325F-15 & Before; 660: SN F04410F-7 & Before;
720: SN F20800F-18 & Before; 780: SN F25000F-3 & Before

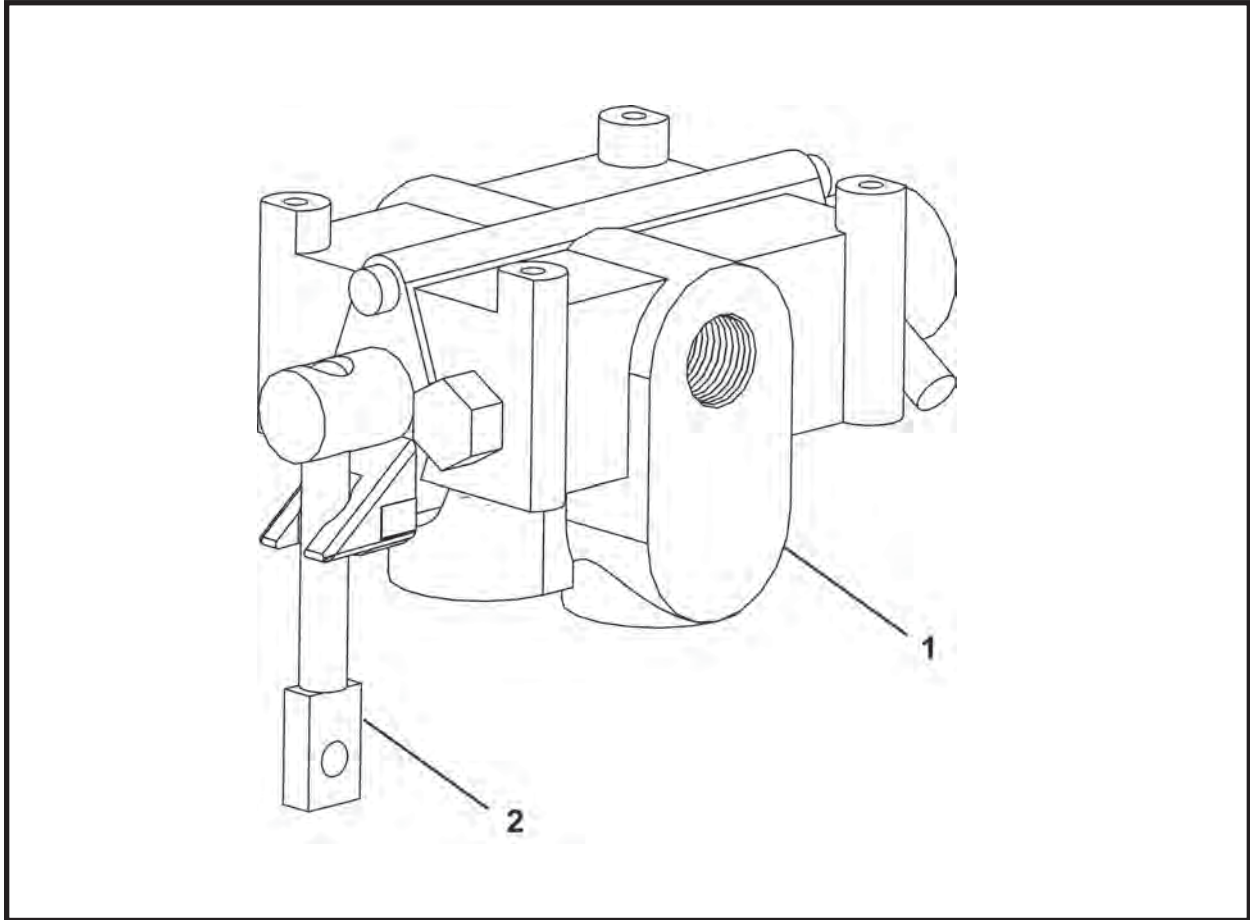


ITEM	QTY	PART NO.	DESCRIPTION
0	1	P0302-109	VALVE, Conveyor Drive Control
1	1	P0302-109A	KIT, Seal
2	1	P0302-109B	KIT, Handle

CONVEYOR DRIVE VALVE, 005344A

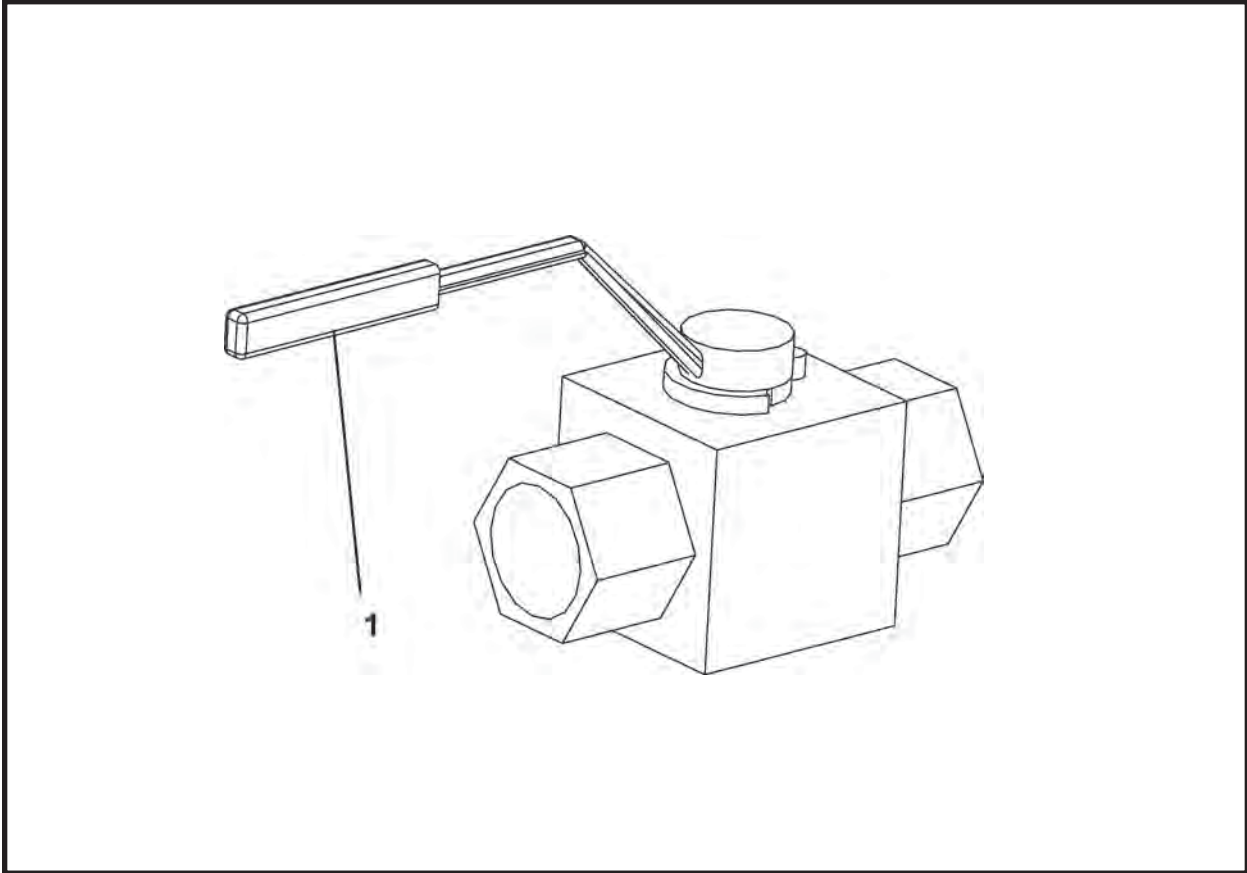
600: SN F19325F-16 & After; 660: SN F04410F-8 & After;

720: SN F20800F-19 & After; 780: SN F25000F-4 & After



ITEM	QTY	PART NO.	DESCRIPTION
0	1	005344A	VALVE, Conveyor Drive (ORB)
1	1	P0302-538	VALVE, Drive
2	1	005346P	BAR, Valve Handle

CONVEYOR CONTROL VALVE, P0302-183
600: SN F19325F-15 & Before; 660: SN F04410F-7 & Before;
720: SN F20800F-18 & Before; 780: SN F25000F-3 & Before



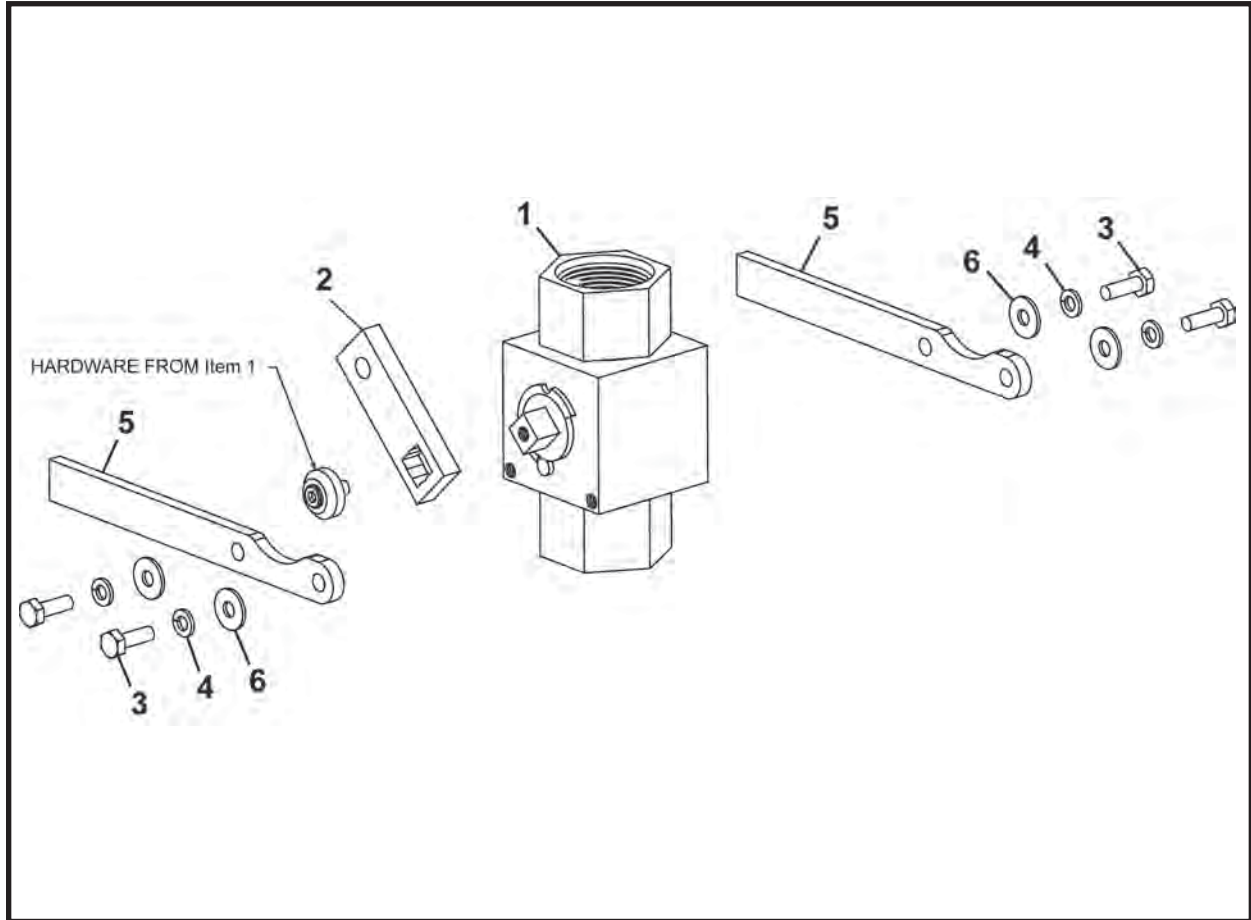
ITEM	QTY	PART NO.	DESCRIPTION
0	1	P0302-183	VALVE, Conveyor Control
1	1	P0302-197	HANDLE
2*	1	P0302-198	KIT, Seal

* Not Shown

SAFETY VALVE, 029920A

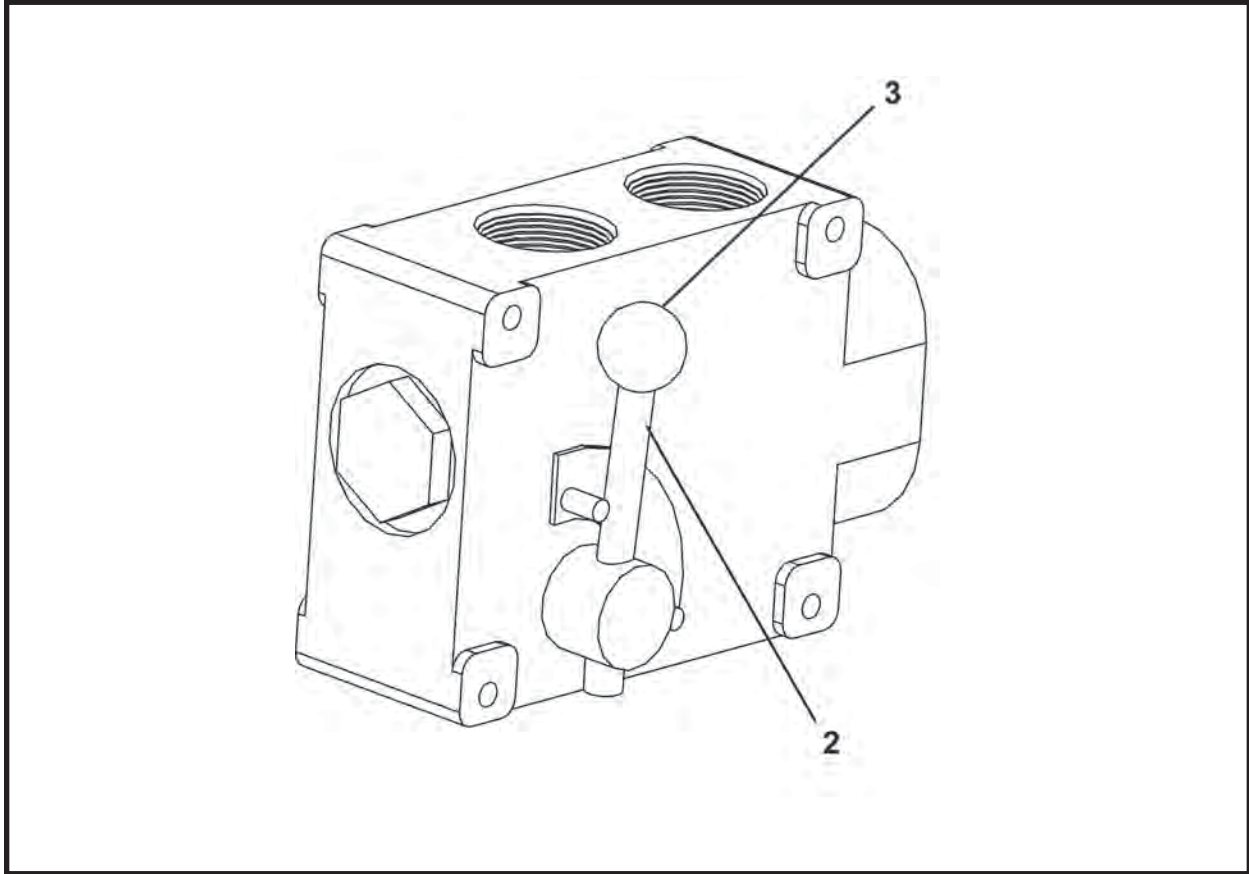
600: SN F19325F-16 & After; 660: SN F04410F-8 & After;

720: SN F20800F-19 & After; 780: SN F25000F-4 & After



ITEM	QTY	PART NO.	DESCRIPTION
0	1	029920A	VALVE, Safety
1	1	P0302-539	VALVE, Dump
2	1	029919P	HANDLE
3	4	P0001-04-003	BOLT, 1/4 UNC x .75
4	4	P0045-004	WASHER, Lock 1/4
5	2	030555P	MOUNT, Valve
6	4	P0040-004	WASHER, Hardened Flat 1/4

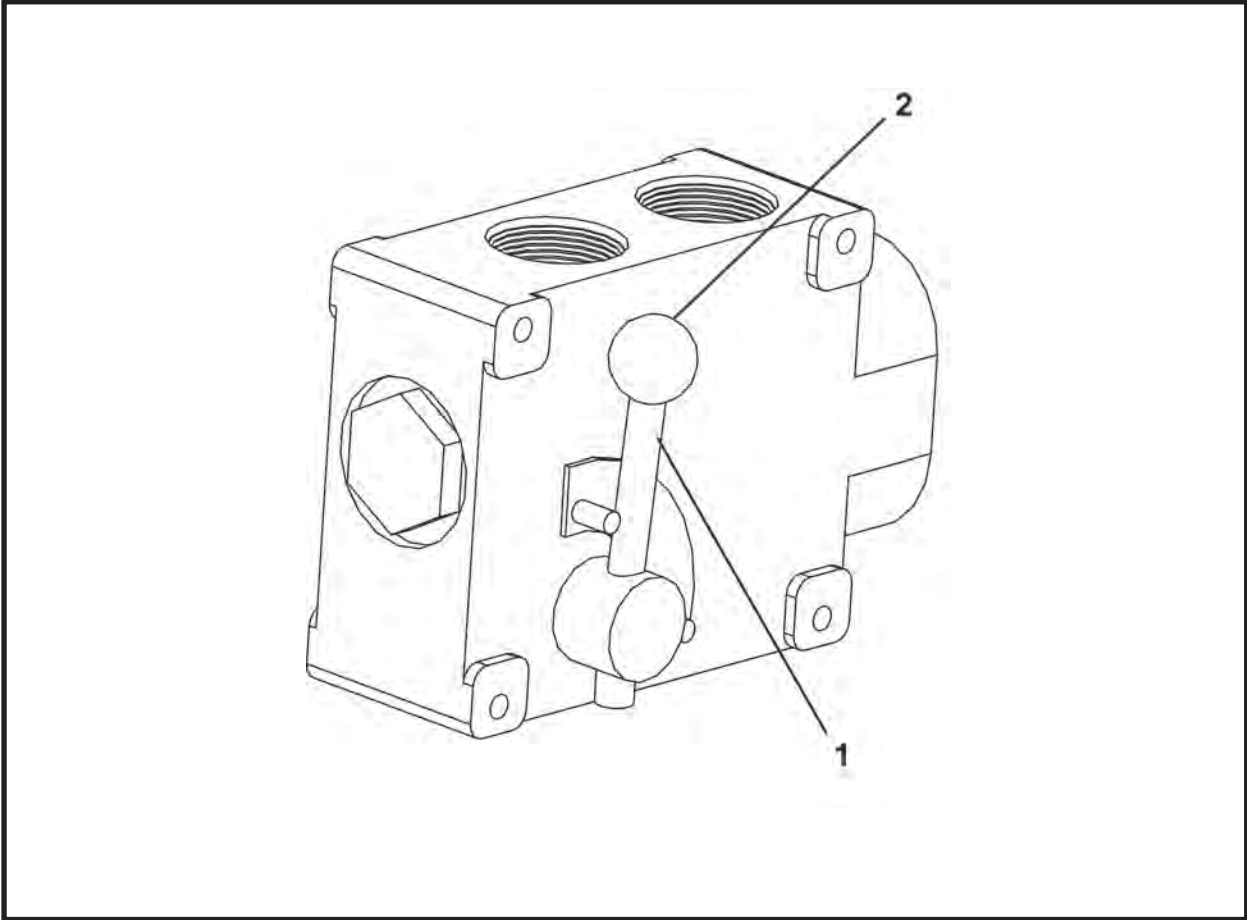
FLOW CONTROL VALVE, P0302-112
600: SN F19325F-15 & Before; 660: SN F04410F-7 & Before;
720: SN F20800F-18 & Before; 780: SN F25000F-3 & Before



ITEM	QTY	PART NO.	DESCRIPTION
0	1	P0302-112	VALVE, Flow Control (NPT)
1*	1	P0302-112A	KIT, Seal
2	1	P0302-112B	HANDLE
3	1	P0302-112C	KNOB

* Not Shown

FLOW CONTROL VALVE, P0302-533
600: SN F19325F-16 & After; 660: SN F04410F-8 & After;
720: SN F20800F-19 & After; 780: SN F25000F-4 & After



ITEM	QTY	PART NO.	DESCRIPTION
0	1	P0302-533	VALVE, Flow Control (ORB)
1	1	P0302-112B	HANDLE
2	1	P0302-112C	KNOB

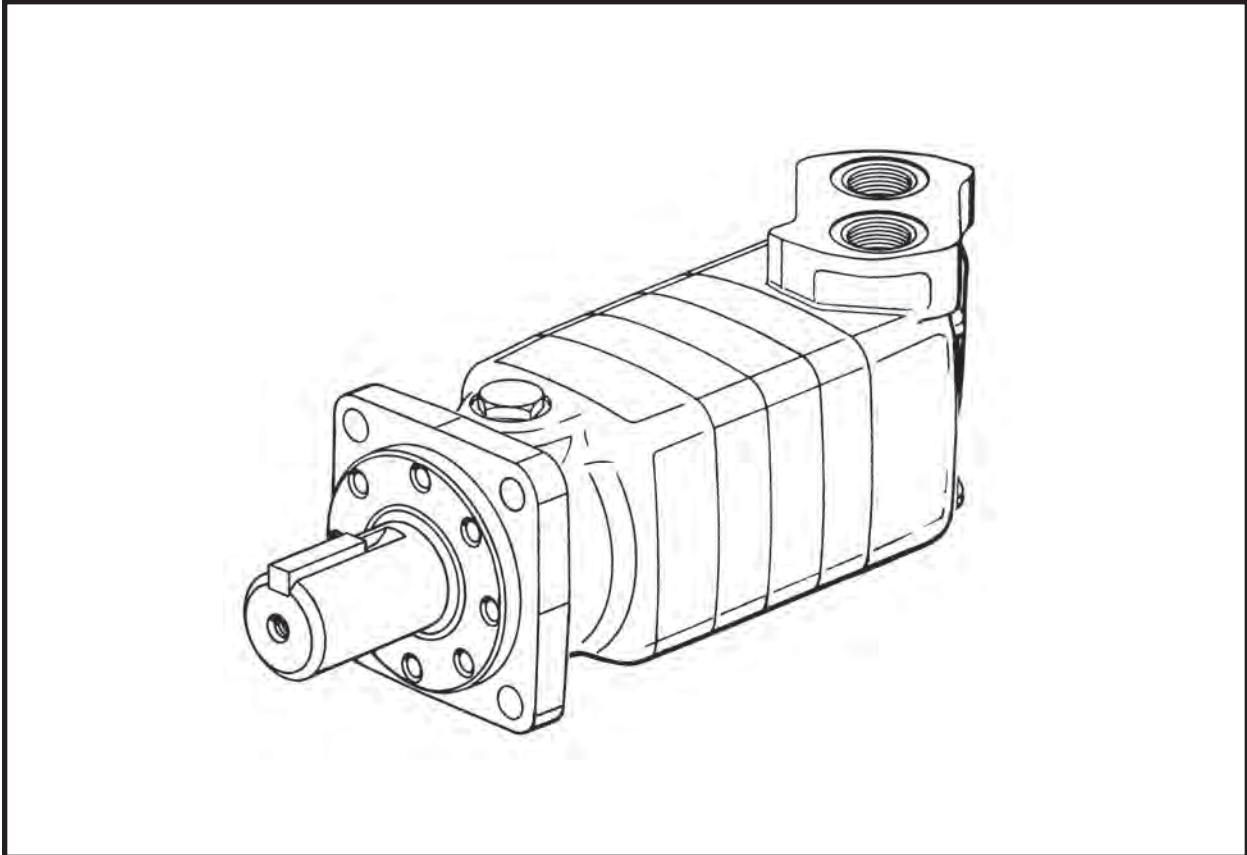
NOTES



Motors

TBM	
TBM Drive Motor, P0304-123	2
TBM Conveyor Lift Hydraulic Motor, P0304-131	3
Conveyor	
Conveyor Drive Motor (Belt Conveyor 2415), P0304-157	4
Conveyor Drive Motor (Screw Conveyor 140 & 160), P0304-145	5
Conveyor Drive Motor (RB20), P0304-121	6

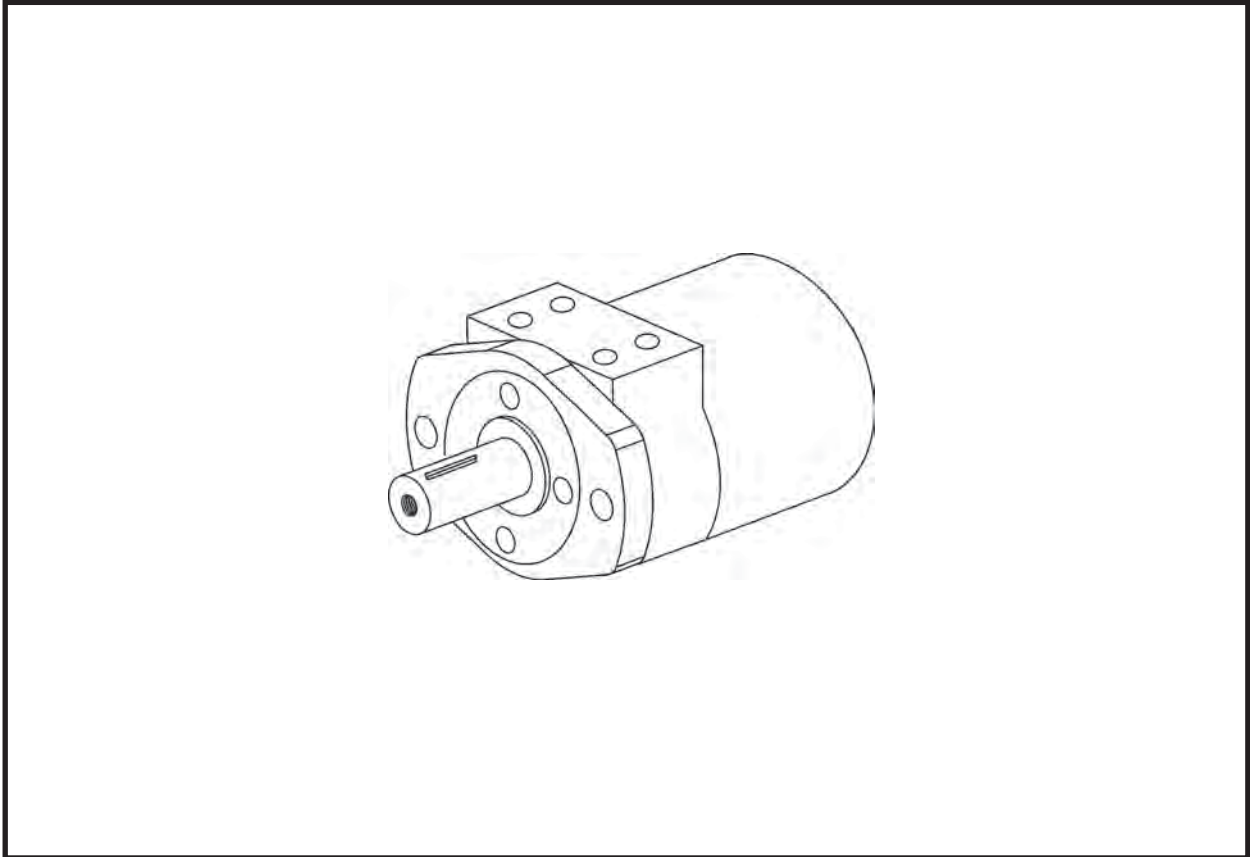
TBM DRIVE MOTOR, P0304-123
TBM MOTOR



ITEM	QTY	PART NO.	DESCRIPTION
0	1	P0304-123	MOTOR, TBM Drive
1*	1	P0304-107	KIT, Shaft End Seal
2*	4	P0304-107A	SCREW, Shaft End Cap
3*	1	P0304-127	KIT, Motor Seal

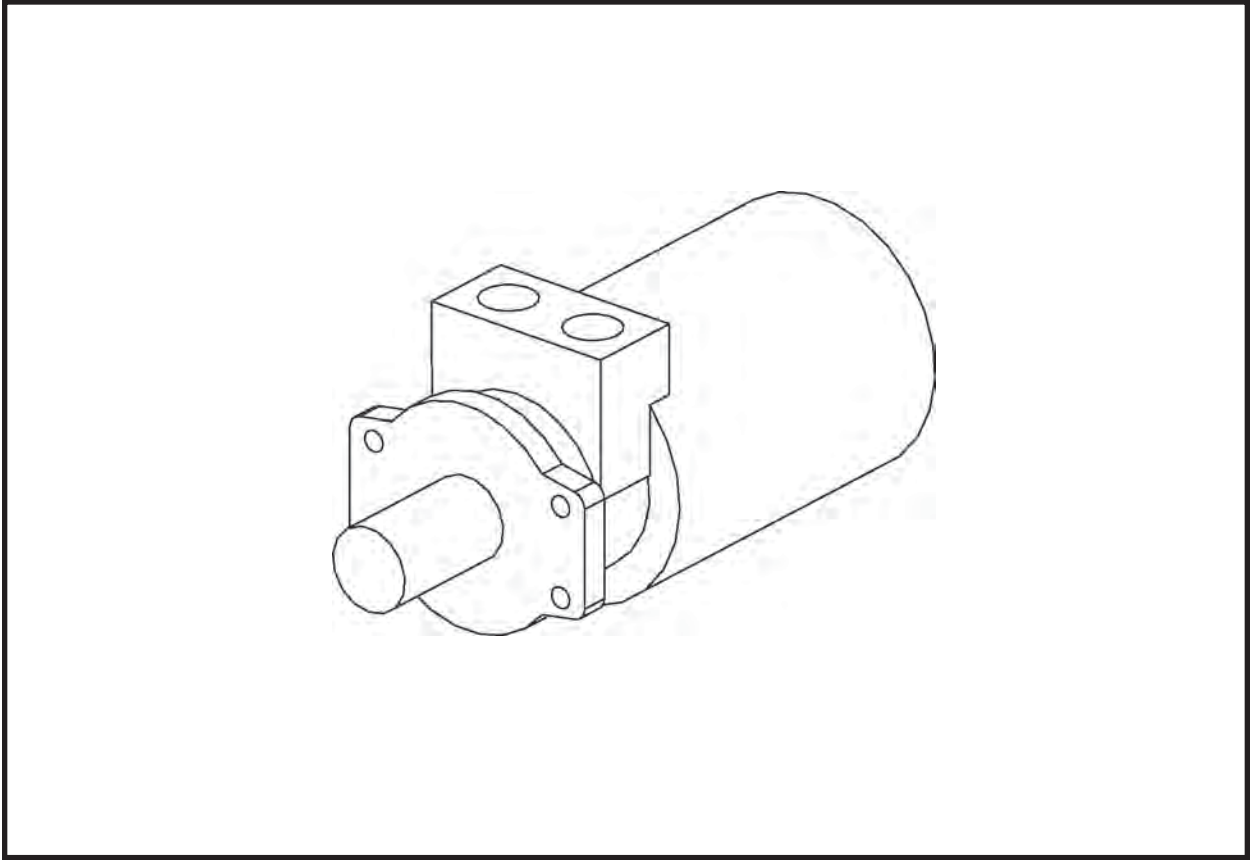
* Not Shown

CONVEYOR LIFT HYDRAULIC MOTOR, P0304-131
TBM CONVEYOR LIFT MOTOR (PART OF CONVEYOR LIFT 012609A01)



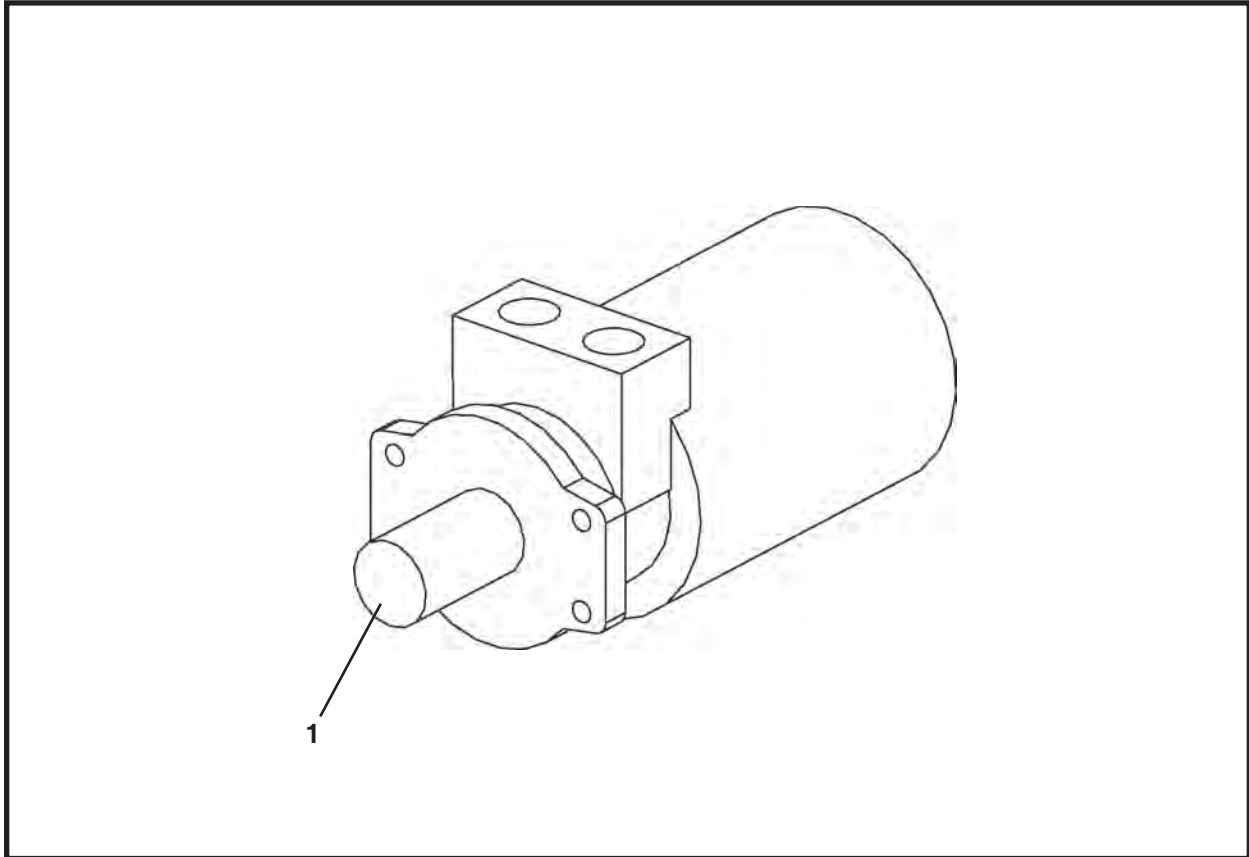
ITEM	QTY	PART NO.	DESCRIPTION
0	1	P0304-131	MOTOR, Conveyor Lift Hydraulic

CONVEYOR DRIVE MOTOR, P0304-157
2415 BELT CONVEYOR



ITEM	QTY	PART NO.	DESCRIPTION
0	1	P0304-157	MOTOR, 2415 Conveyor Drive

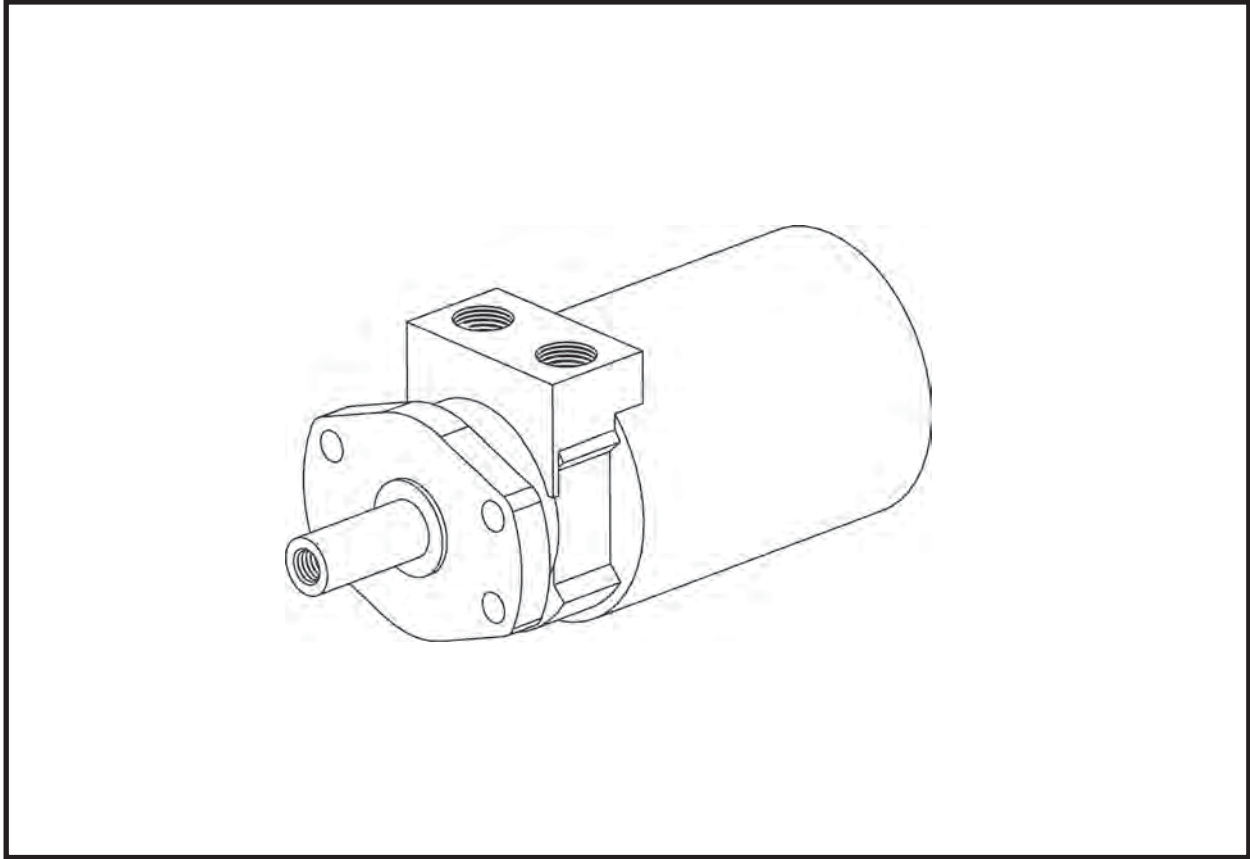
SCREW CONVEYOR DRIVE MOTOR, P0304-145
140 - 160 SCREW CONVEYOR



ITEM	QTY	PART NO.	DESCRIPTION
0	1	P0304-145	MOTOR, Screw Conveyor Drive
1	1	P0304-147	SHAFT
2*	1	P0304-148	KIT, Seal

* Not Shown

CONVEYOR DRIVE MOTOR, P0304-121
RB20 CONVEYOR



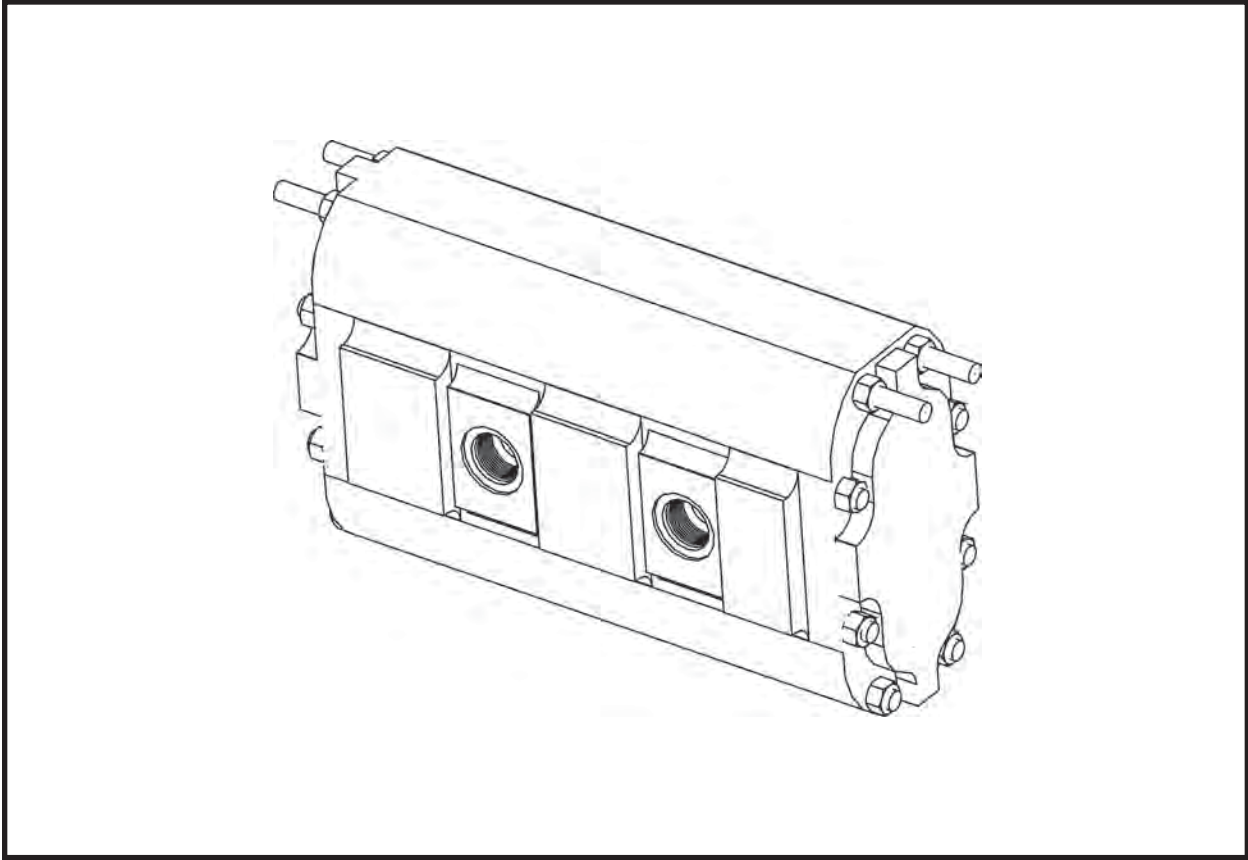
ITEM	QTY	PART NO.	DESCRIPTION
0	1	P0304-121	MOTOR, Conveyor Drive (RB20)
1	1	P0304-121A	BRACKET
2	1	P0304-121B	SEAL



Pumps

Flow Divider Pump, P0303-163 2

FLOW DIVIDER PUMP, P0303-163



ITEM	QTY	PART NO.	DESCRIPTION
0	1	P0303-163	FLOW DIVIDER PUMP
1*	6	P0303-163B	RING
2*	3	P0303-163D	SEAL, Pocket

* Not Shown



Cylinders

TBM

Advance Cylinder Assembly, 010747A00	2
Conveyor Lift (For Select TBM 600s Only)	
With NPT Fittings, 002691A00	4
With ORB Fittings, 020300A	5
Hydraulic Dirt Wing Cylinder Assembly, 014603A00	6
Steering Cylinder Assembly, 600 - 660	
With NPT Fittings, 010385A01	8
With ORB Fittings, 020302A	9
Steering Cylinder Assembly, 720 - 780	
With NPT Fittings, 020815A01	10
With ORB Fittings, 020303A	11

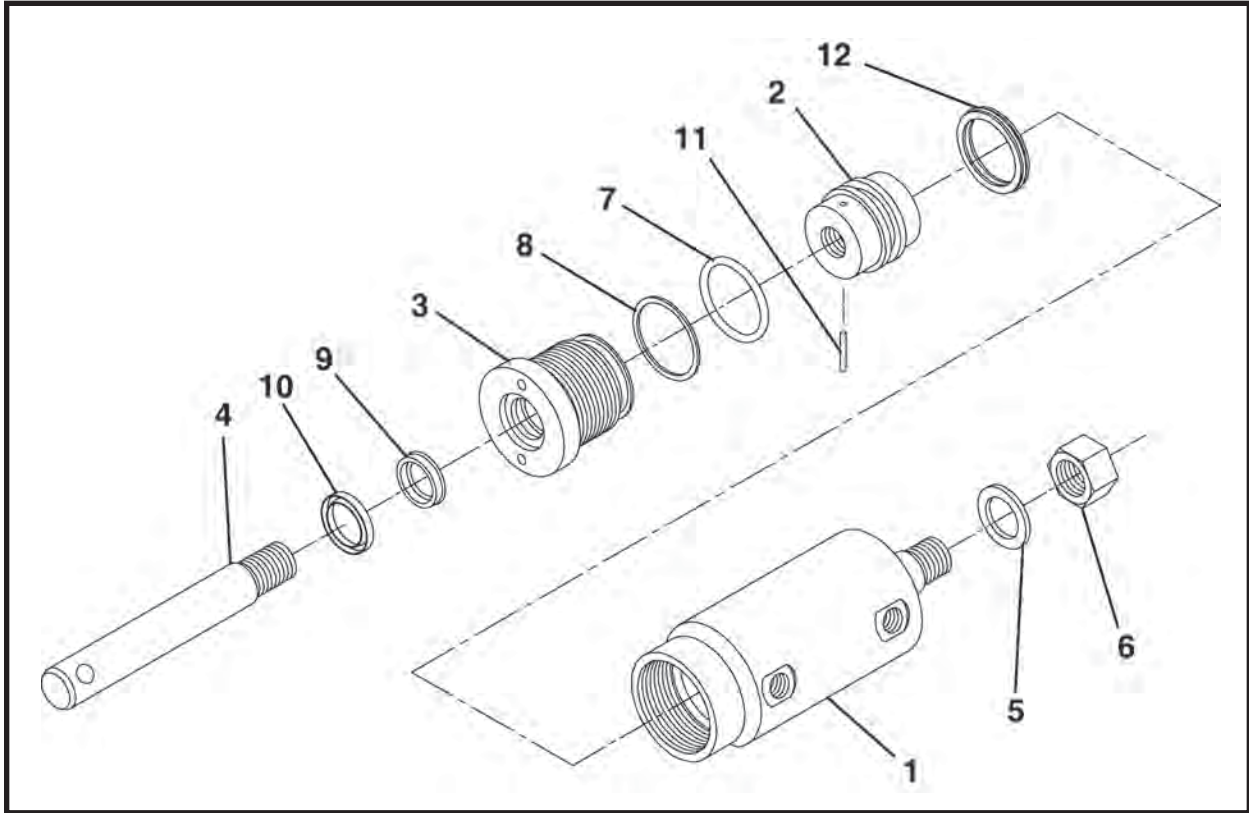
Attachments

Closed Face (Old Style)	
Closed Face Cylinder Assembly (600), 019306A00	12
Closed Face Cylinder Assembly (660), 018658A00	13
Closed Face Cylinder Assembly (720-780), 020906A00	14
Closed Face (New Style)	
Closed Face Cylinder Assembly (600 - 660), 015050A	16
Closed Face Cylinder Assembly (720 - 780), 015080A	17

Miscellaneous

Intermediate Jacking Station Cylinder, F03531F02	19
Liner Can	
Liner Can Cylinder Assembly, 30" Stroke, 002617A01	20
Liner Can Cylinder Assembly, 38" Stroke, 011720A00	21

CYLINDER ASSEMBLY, 010747A00
ADVANCE CYLINDERS

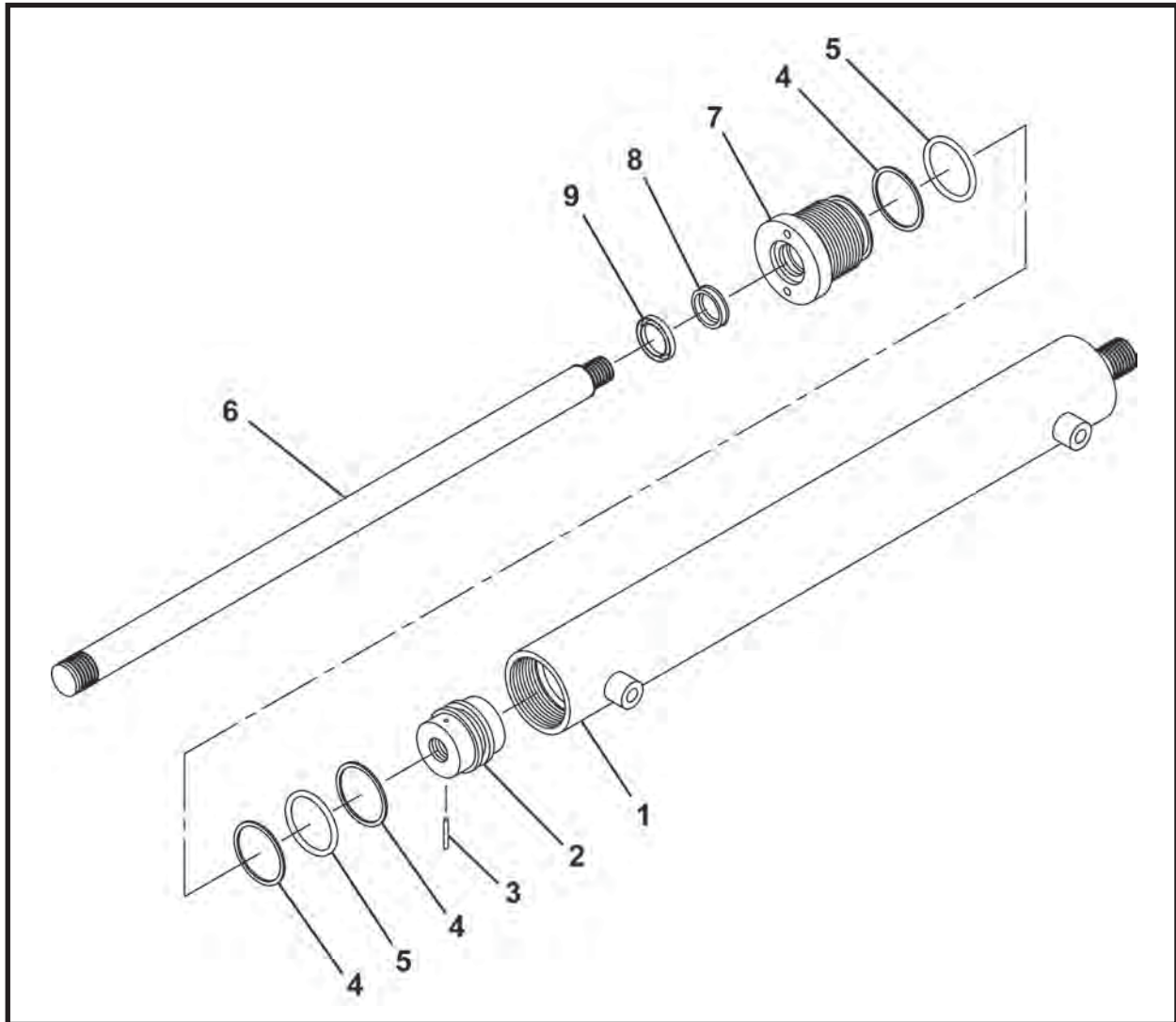


ITEM	QTY	PART NO.	DESCRIPTION
0	1	010747A00	ASSEMBLY, Advance Cylinder
1	1	010865P00	BARREL, Cylinder
2	1	010864P00	PISTON
3	1	001245P00	GLAND
4	1	001243P01	SHAFT
5	1	P0040-014	WASHER, 7/8
6	1	P0004-14-000	NUT, 7/8 UNF
7*	1	P0085-224	ORING
8*	1	P0084-224	RING, Back Up
9*	1	P0086-001	POLYSEAL
10*	1	P0080-001	WIPER
11	1	P0049-042	PIN, Spring
12*	1	P0085C-2	SEAL
13	1	010748A00	KIT, Seal

* ITEMS included in item 13, 010748A00 Seal Kit.

NOTES

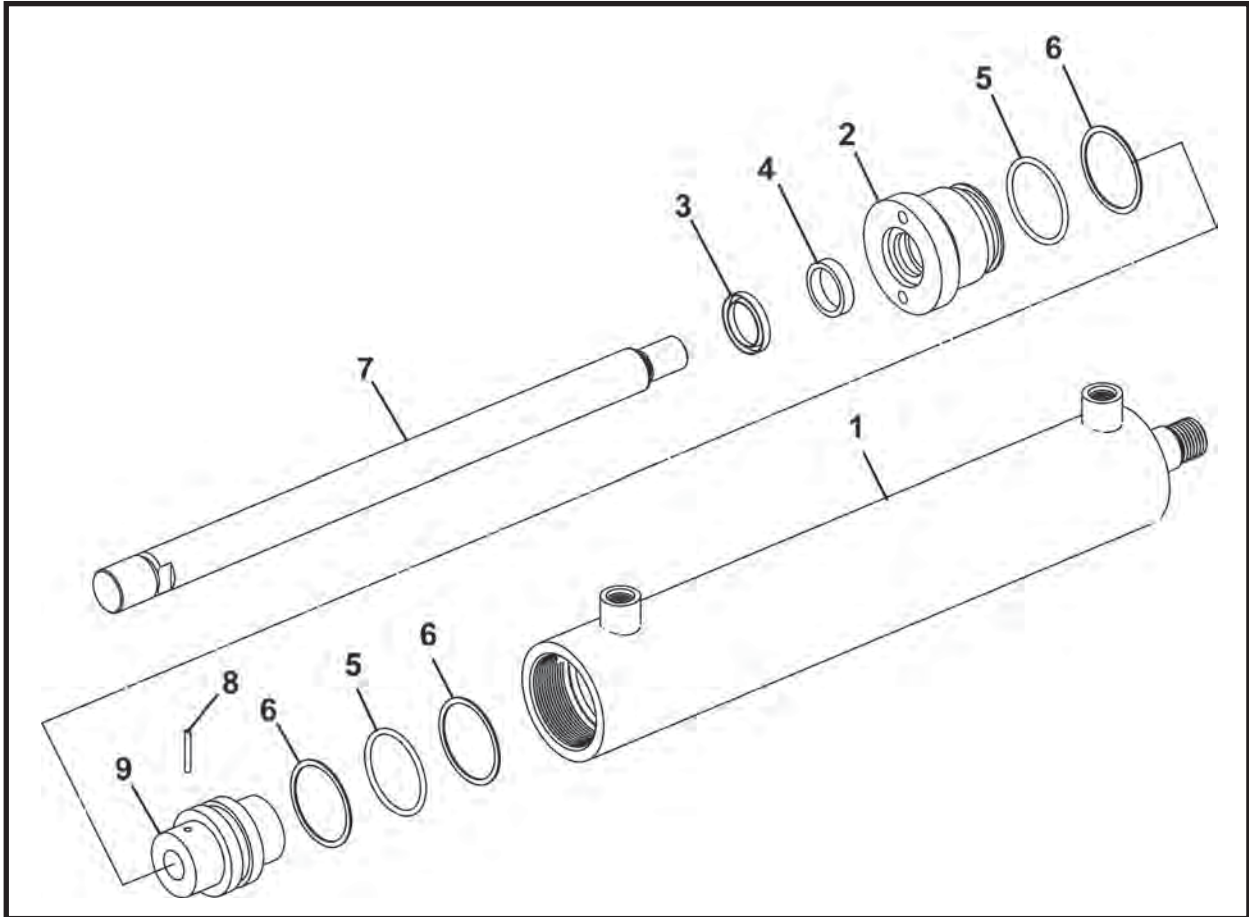
**CONVEYOR LIFT CYLINDER WITH NPT FITTINGS, 002691A00
SELECT TBM 600s ONLY**



ITEM	QTY	PART NO.	DESCRIPTION
0	1	002691A00	CYLINDER, Conveyor Lift (With NPT Fittings)
1	1	002683A00	BARREL, Cylinder
2	1	001303P01	PISTON
3	1	P0049-042	PIN, Spring
4	3	P0085-224	ORING
5	2	P0084-224	RING, Back Up
6	1	002684P00	SHAFT
7	1	001245P00	GLAND
8	1	P0086-001	POLYSEAL
9	1	P0080-001	WIPER

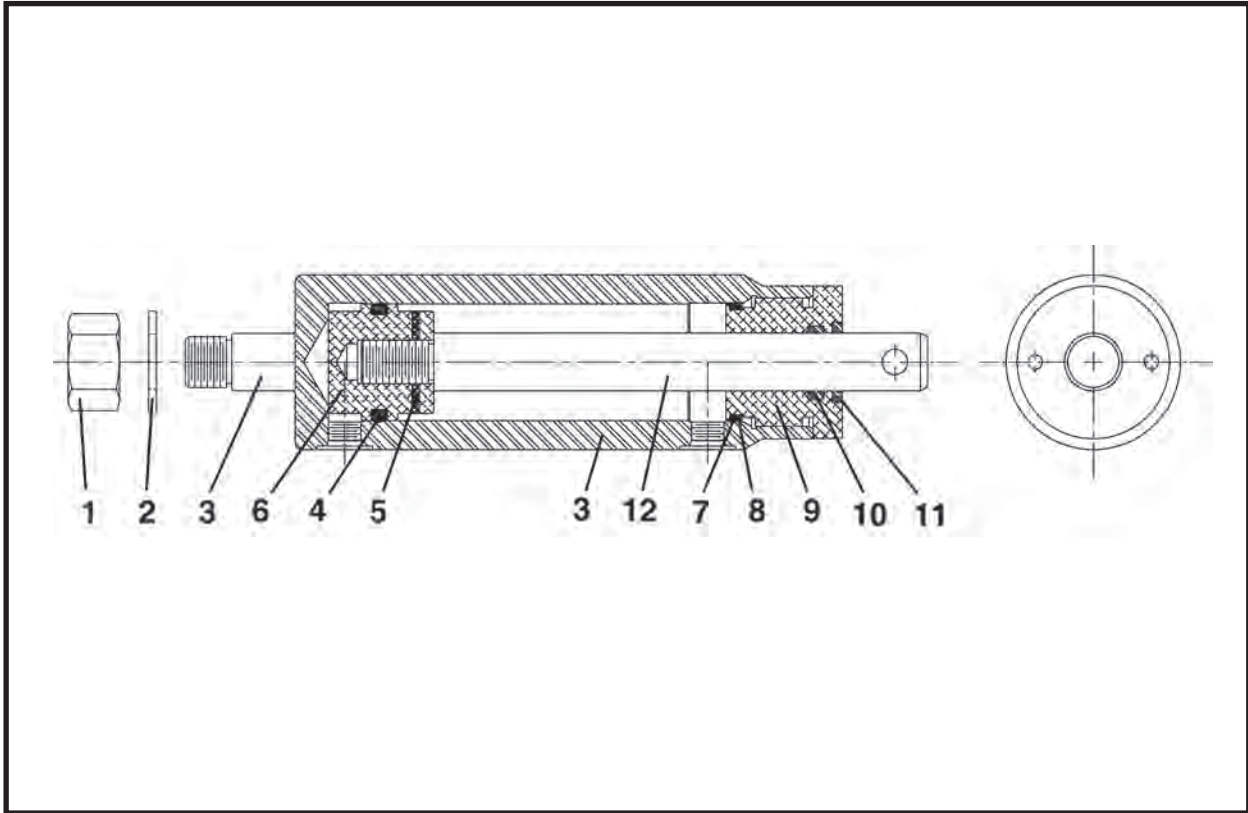
NOTE: Gland must be put on rod from piston end only.

**CONVEYOR LIFT CYLINDER WITH ORB FITTINGS, 020300A
SELECT TBM 600s ONLY**



ITEM	QTY	PART NO.	DESCRIPTION
0	1	020300A	CYLINDER, Conveyor Lift (With ORB Fittings)
1	1	020305A	BARREL, Cylinder
2	1	001245P00	GLAND
3	1	P0080-001	WIPER
4	1	P0086-001	POLYSEAL
5	2	P0085-224	ORING
6	3	P0084-224	RING, Back Up
7	1	002684P00	SHAFT
8	1	P0049-042	PIN, Spring
9	1	001303P01	PISTON

CYLINDER ASSEMBLY, 014603A00
HYDRAULIC DIRT WING CYLINDERS



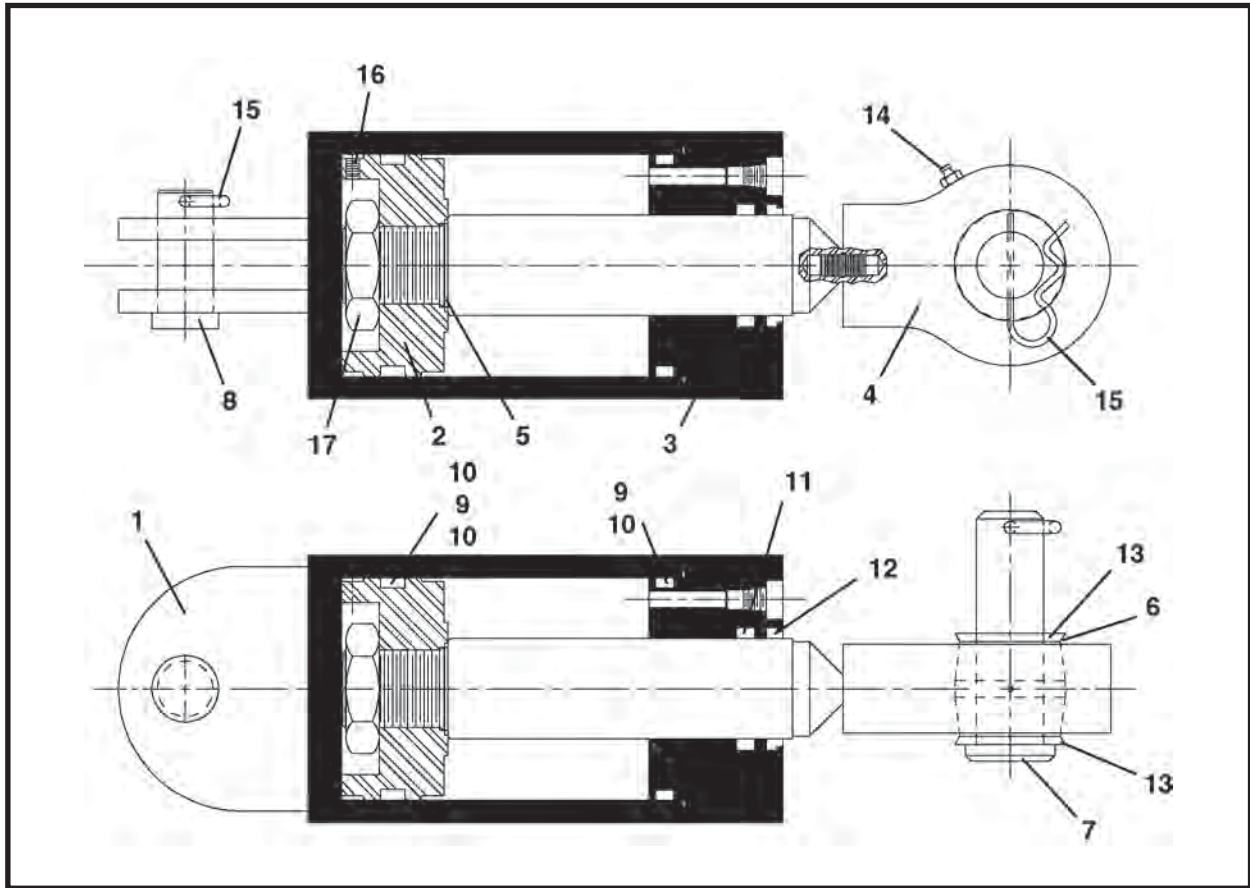
ITEM	QTY	PART NO.	DESCRIPTION
0	1	014603A00	ASSEMBLY, Hydraulic Dirt Wing Cylinder
1	1	P0004-14-000	NUT, 7/8 UNF
2	1	P0040-014	WASHER, 7/8
3	1	014605P00	BARREL, Cylinder
4*	1	P0085C-2	SEAL
5	1	P0049-042	PIN, Roll
6	1	010864P00	PISTON
7*	1	P0085-224	ORING
8*	1	P0084-224	RING, Back Up
9	1	001245P00	GLAND
10*	1	P0086-001	POLYSEAL
11*	1	P0080-001	WIPER
12	1	014604P00	SHAFT
13	1	010748A00	KIT, Seal

* ITEMS included in item 13, 010748A00 Seal Kit.

NOTES

STEERING CYLINDER WITH NPT FITTINGS, 010385A01

600: SN F19325F00-15 & Before; 660: SN F04410F00-7 & Before

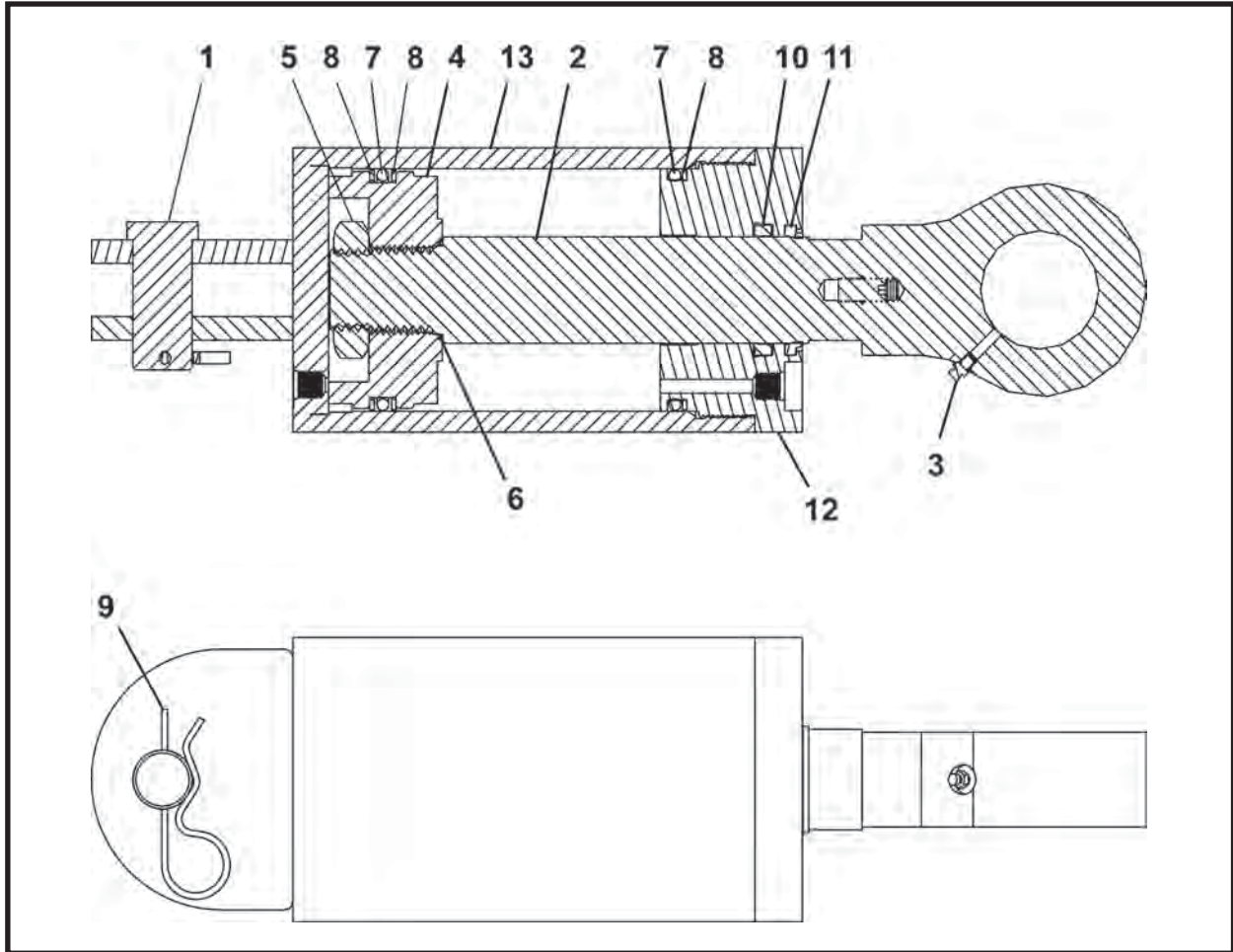


ITEM	QTY	PART NO.	DESCRIPTION
0	1	010385A01	STEERING CYLINDER (With NPT Fittings)
1	1	003602A02	WELDMENT, Steering Cylinder
2	1	011704P00	ROD
3	1	007407P00	GLAND
4	1	011711A00	WELDMENT, Shaft & Clevis
5*	1	P0085-134	ORING
6	1	007412P00	BUSHING
7	1	005868P00	PIN, Steering Cylinder
8	1	002856P00	PIN, Cylinder
9*	2	P0085-426	ORING
10*	3	P0084-426	RING, Back Up
11*	1	P0086-005	POLYSEAL
12*	1	P0087-004	WIPER
13*	2	P0085-328	ORING
14	1	P0063-001	FITTING, Grease 1/4-28 UNF
15	2	P0090-005	PIN, Hitch
16	1	P0033-06-016	SCREW, Socket Head Set 3/8-16 UNC x 1
17	1	011713P00	NUT
18	REF.	011709A00	SEAL KIT

* ITEMS included in item 1, 011709A00 Seal Kit.

STEERING CYLINDER WITH ORB FITTINGS, 020302A

600: SN F19325F00-16 & After; 660: SN F04410F00-8 & After

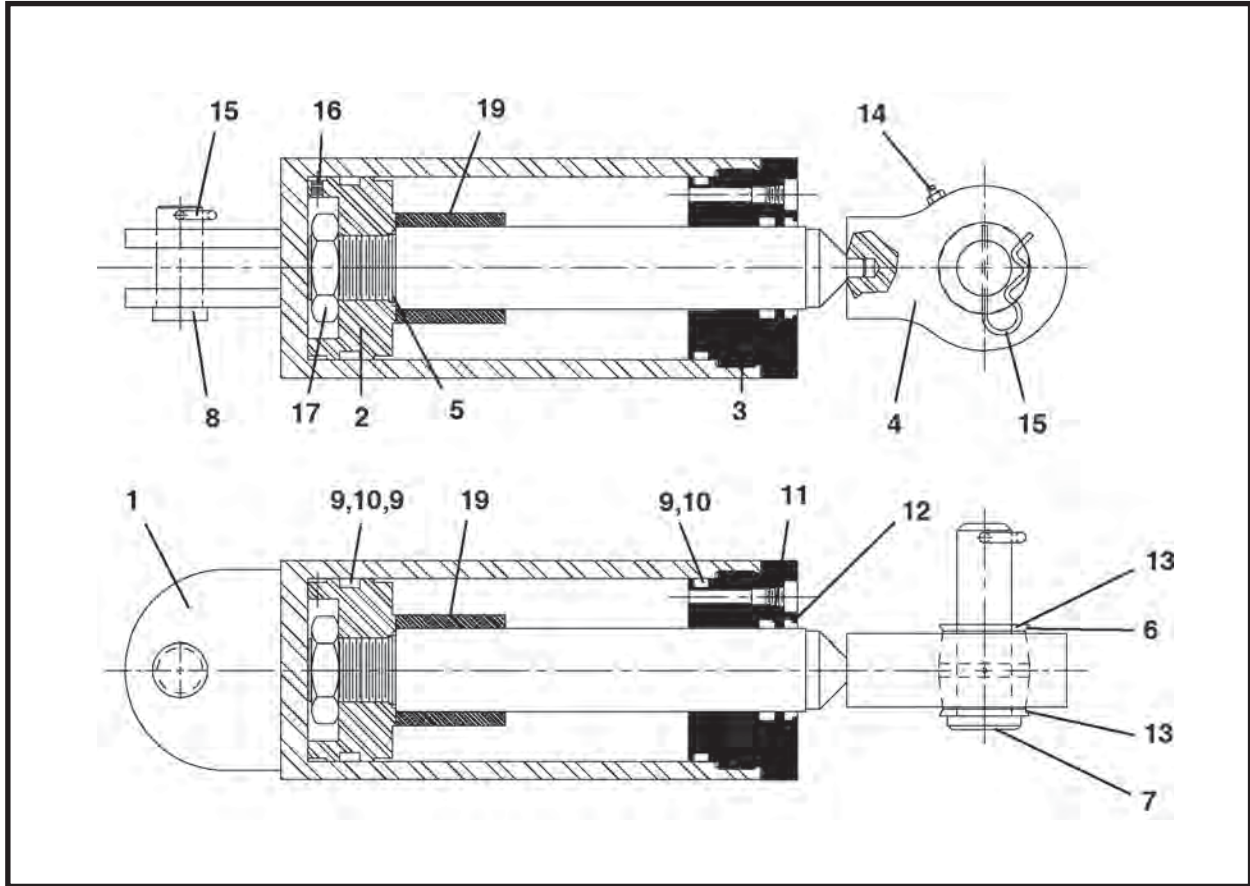


ITEM	QTY	PART NO.	DESCRIPTION
0	1	020302A	STEERING CYLINDER (With ORB Fittings)
1	1	002856P00	PIN, Mounting
2	1	011711A00	WELDMENT, Shaft & Clevis
3	1	P0063-001	FITTING, Grease 1/4 UNF
4	1	011704P00	PISTON
5	1	011713P00	NUT
6*	1	P0085-134	ORING
7*	2	P0085-426	ORING
8*	3	P0084-426	RING, Back Up
9	1	P0090-005	PIN, Hitch
10*	1	P0086-005	POLYSEAL
11*	1	P0087-004	WIPER
12	1	020309P	GLAND
13	1	020306A	WELDMENT, Steering Cylinder
14	REF.	011709A00	SEAL KIT

* IITEMs included in item 14, 011709A00 Seal Kit.

STEERING CYLINDER WITH NPT FITTINGS, 020815A01

720: SN F20800F00-18 & Before; 780: SN F25000F-3 & Before

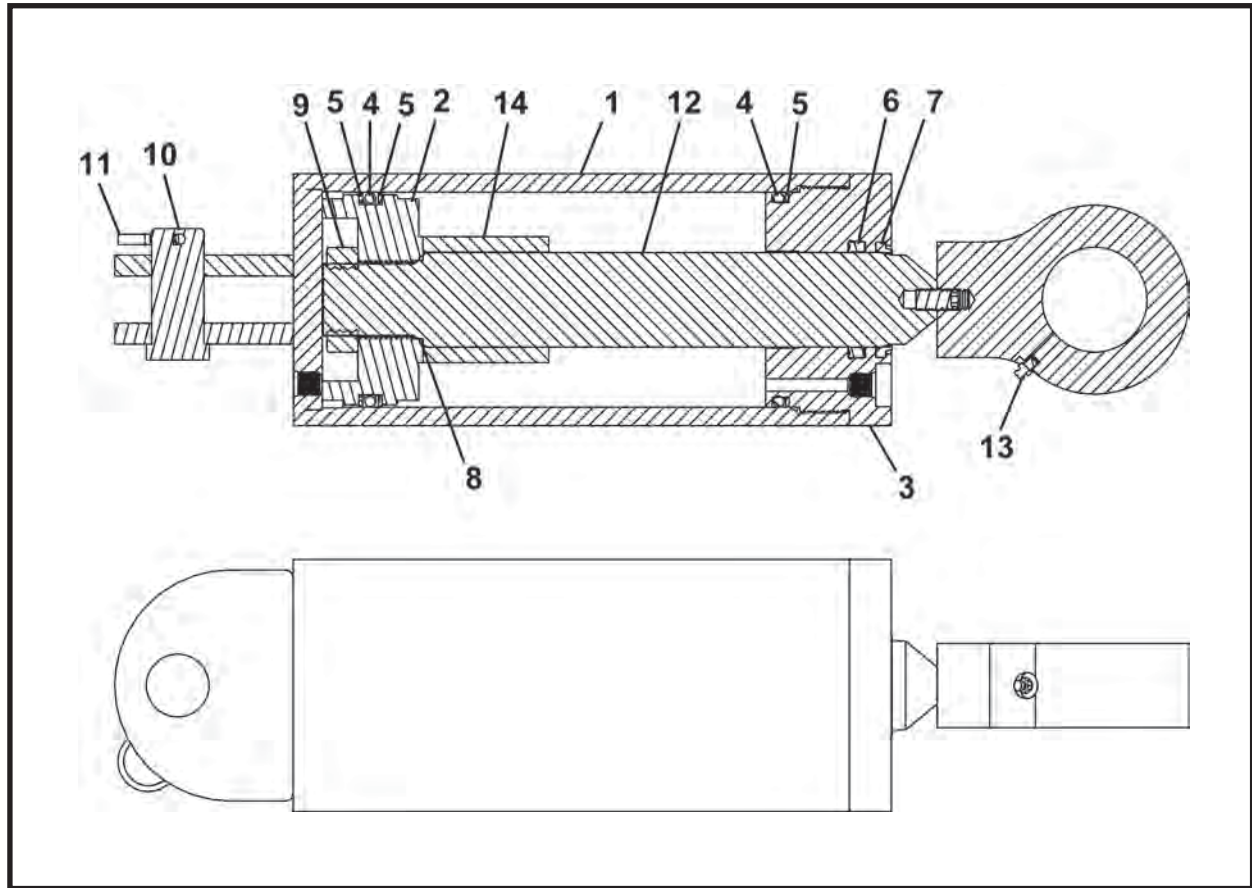


ITEM	QTY	PART NO.	DESCRIPTION
0	1	020815A01	STEERING CYLINDER (With NPT Fittings)
1	1	011701A00	WELDMENT, Steering Cylinder
2	1	011704P00	ROD
3	1	007407P00	GLAND
4	1	011703A00	WELDMENT, Shaft & Clevis
5*	1	P0085-134	ORING
6	1	007412P00	BUSHING
7	1	005868P00	PIN, Steering Cylinder
8	1	002856P00	PIN, Cylinder
9*	3	P0084-426	ORING
10*	2	P0085-426	RING, Back Up
11*	1	P0086-005	POLYSEAL
12*	1	P0087-004	WIPER
13	2	P0085-326	ORING
14	1	P0063-001	FITTING, Grease 1/4-28 UNF
15	2	P0090-005	PIN, Hitch
16	1	P0033-06-016	SCREW, Socket Head Set 3/8-16 UNC x 1
17	1	011713P00	NUT
18	REF.	011709A00	KIT, Seal
19	1	020857P00	RESTRICTOR, Stroke

* ITEMS included in item 18, 011709A00 Seal Kit.

STEERING CYLINDER WITH ORB FITTINGS, 020303A

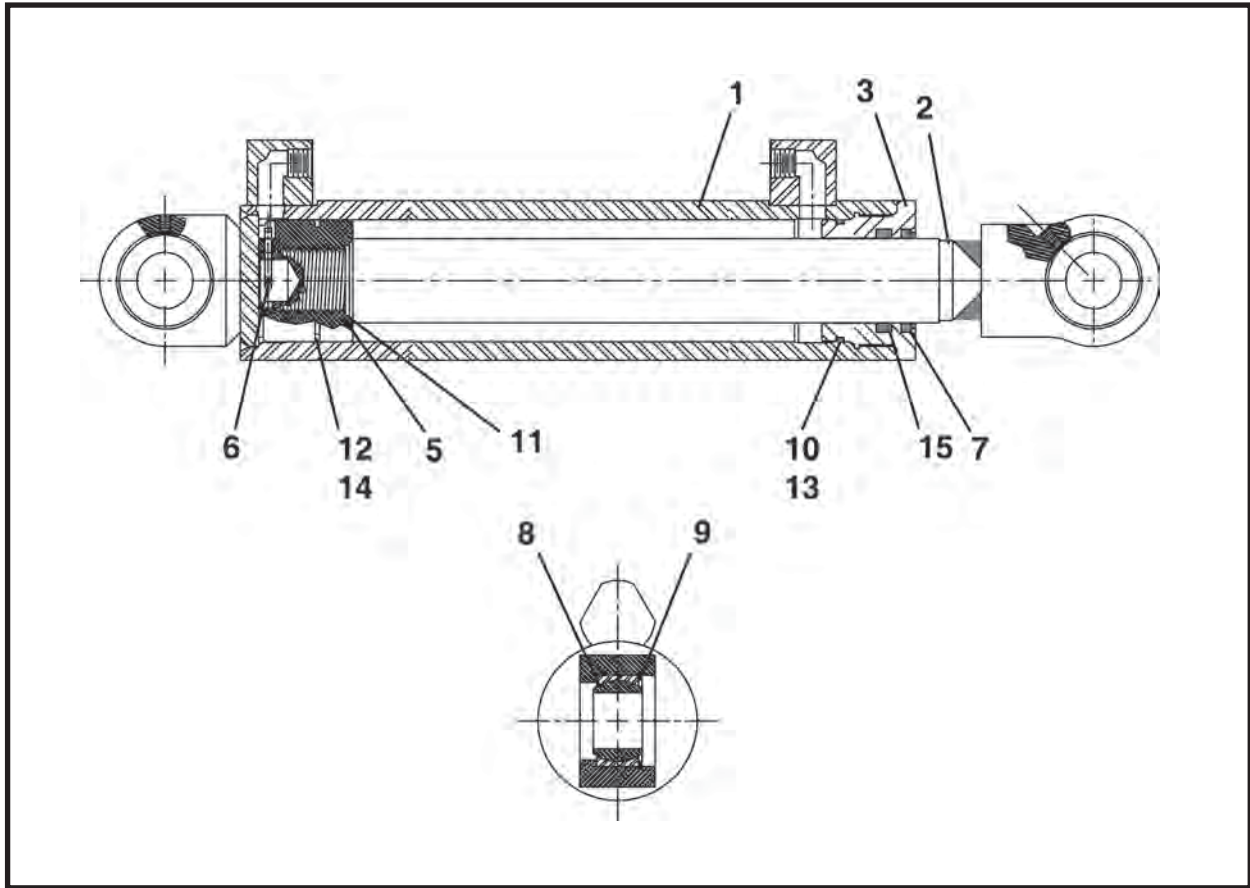
720: SN F20800F00-19 & After; 780: SN F25000F-4 & After



ITEM	QTY	PART NO.	DESCRIPTION
0	1	020303A	STEERING CYLINDER (With ORB Fittings)
1	1	020307A	WELDMENT, Steering Cylinder
2	1	011704P00	ROD
3	1	020309A	GLAND
4*	2	P0085-426	RING, Back Up
5*	3	P0084-426	ORING
6*	1	P0086-005	POLYSEAL
7*	1	P0087-004	WIPER
8*	1	P0085-134	ORING
9	1	011713P00	NUT
10	1	002856P00	PIN, Cylinder
11	2	P0090-005	PIN, Hitch
12	1	011703A00	WELDMENT, Shaft & Clevis
13	1	P0063-001	FITTING, Grease 1/4-28 UNF
14	1	020857P00	RESTRICTOR, Stroke
15	REF.	011709A00	KIT, Seal

* ITEMS included in item 15, 011709A00 Seal Kit.

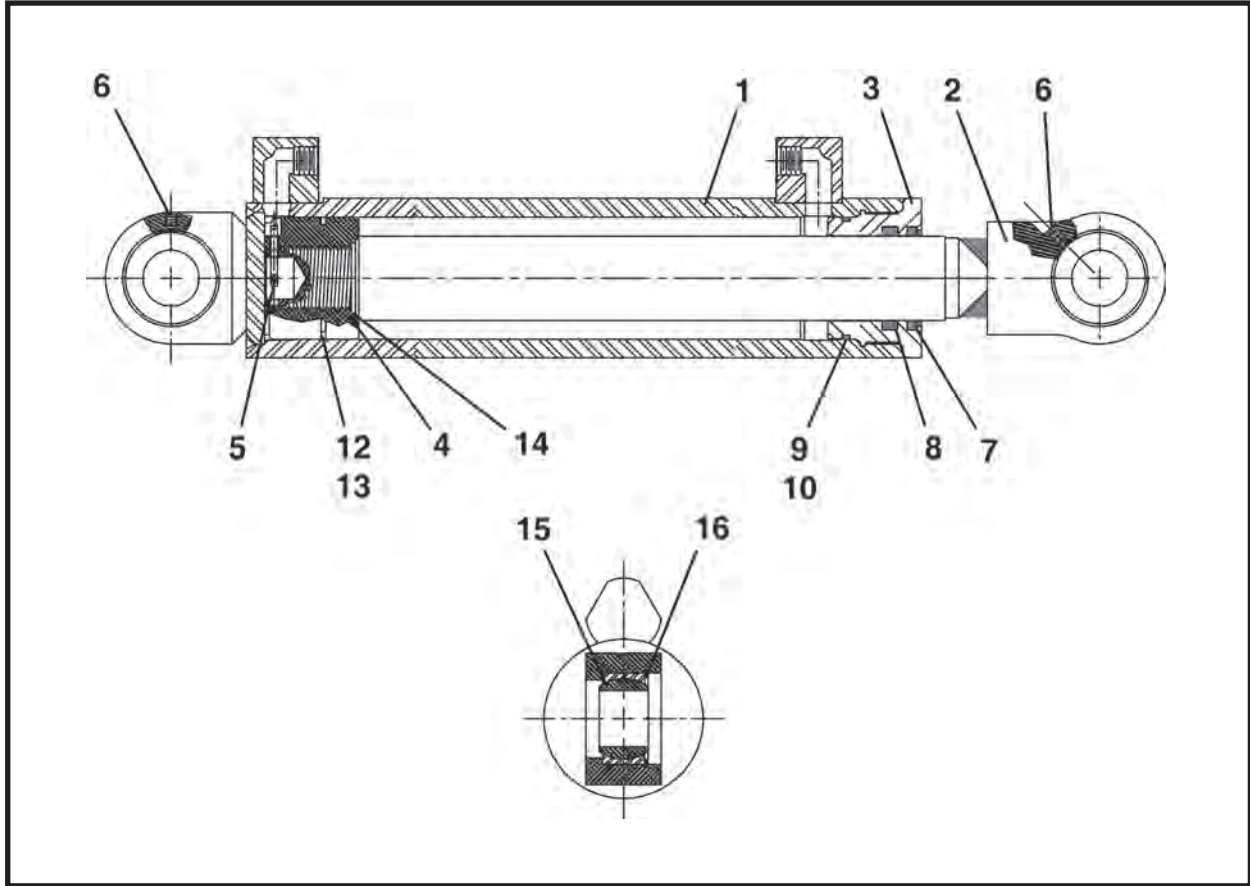
CYLINDER ASSEMBLY, 019306A00
600 CLOSED FACE (OLD STYLE)



ITEM	QTY	PART NO.	DESCRIPTION
0	1	019306A00	ASSEMBLY, Cylinder
1	1	019307A00	BARREL
2	1	019308A00	WELDMENT, Shaft & Clevis
3	1	008945P01	GLAND
4	REF	009918A00	KIT, Seal
5	1	014481P00	PISTON
6	1	P0048-033	PIN, Cotter
7*	1	P0087-004	WIPER
8	1	P0065-086	BEARING
9	1	P0076-050	RING, Snap
10*	1	P0084-234	RING, Back Up
11*	1	P0085-134	ORING
12*	1	P0085-149	ORING
13*	1	P0085-234	ORING
14*	1	P0085-C3	SEAL, Piston
15*	1	P0086-005	POLYSEAL

* Included in item 4, 009918A00, Seal Kit

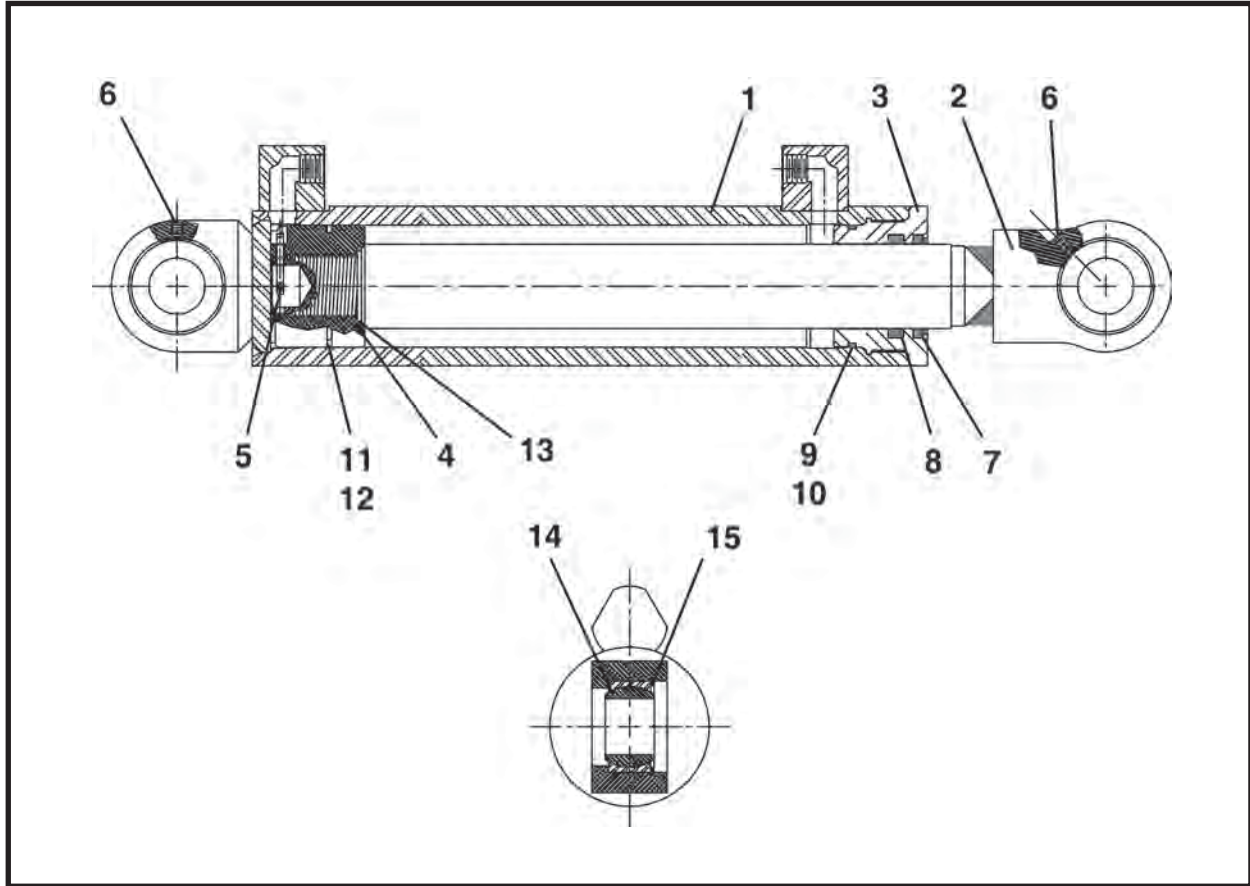
CYLINDER ASSEMBLY, 018658A00
660 CLOSED FACE (OLD STYLE)



ITEM	QTY	PART NO.	DESCRIPTION
0	1	018658A00	ASSEMBLY, Cylinder
1	1	018659A00	BARREL
2	1	018660A00	WELDMENT, Shaft & Clevis
3	1	008945P01	GLAND
4	1	014481P00	PISTON
5	1	P0048-033	PIN, Cotter
6	2	P0063-001	FITTING, Grease 1/4
7*	1	P0087-004	WIPER
8*	1	P0086-005	POLYSEAL
9*	1	P0084-234	RING, Back Up
10*	1	P0085-234	ORING
11	-	-	-
12*	1	P0085-C3	SEAL, Piston
13*	1	P0085-149	ORING
14*	1	P0085-134	ORING
15	2	P0065-086	BEARING
16	2	P0076-050	RING, Snap
17	-	009918A00	KIT, Seal

* Included in item 17, 009918A00, Seal Kit

CYLINDER ASSEMBLY, 020906A00
720 - 780 CLOSED FACE (OLD STYLE)

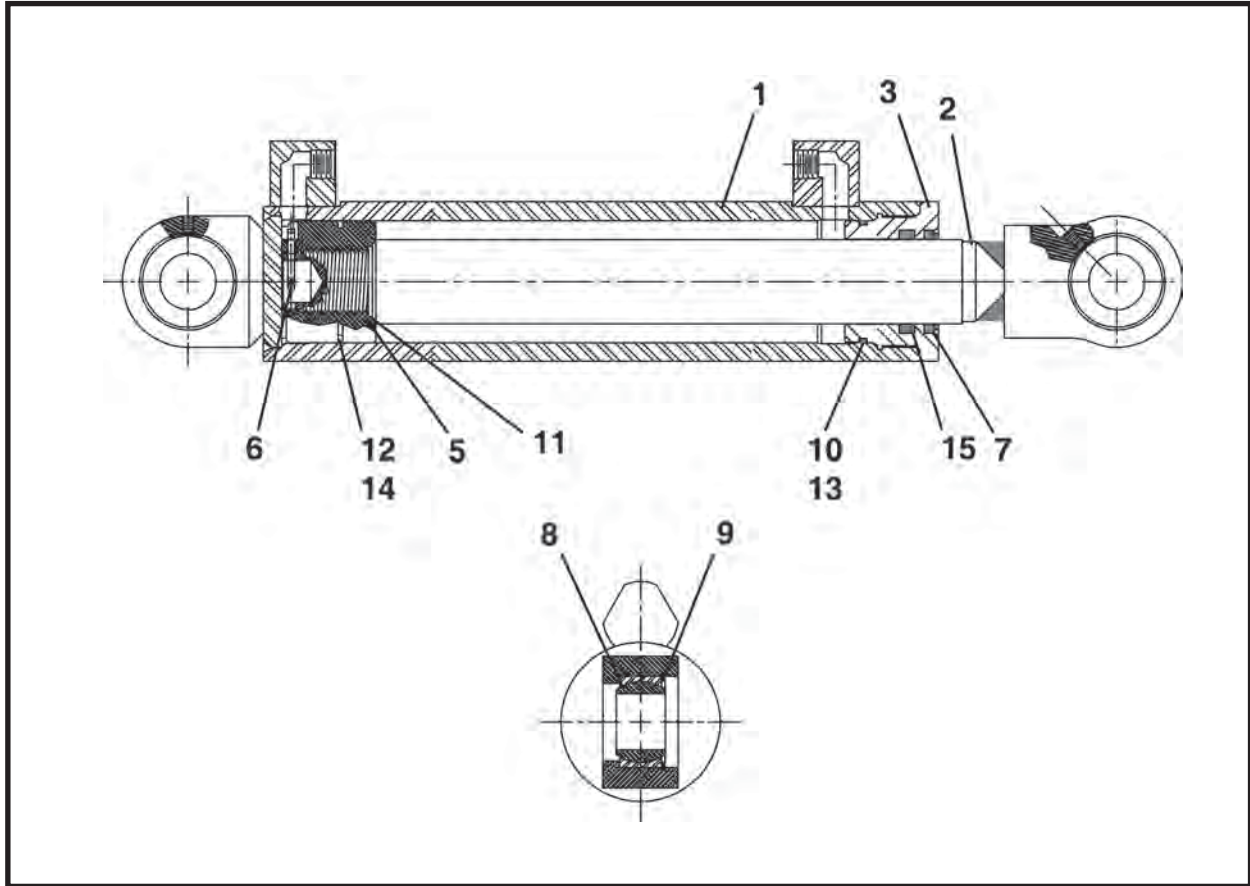


ITEM	QTY	PART NO.	DESCRIPTION
0	1	020906A00	ASSEMBLY, Cylinder
1	1	020907A00	BARREL
2	1	020908A00	WELDMENT, Shaft & Clevis
3	1	008945P01	GLAND
4	1	014481P00	PISTON
5	1	P0048-033	PIN, Cotter
6	2	P0063-001	FITTING, Grease 1/4
7*	1	P0087-004	WIPER
8*	1	P0086-005	POLYSEAL
9*	1	P0084-234	RING, Back Up
10*	1	P0085-234	ORING
11*	1	P0085-C3	SEAL, Piston
12*	1	P0085-149	ORING
13*	1	P0085-134	ORING
14	2	P0065-086	BEARING
15	2	P0076-050	RING, Snap
16	-	009918A00	KIT, Seal

* Included in item 16, 009918A00, Seal Kit

NOTES

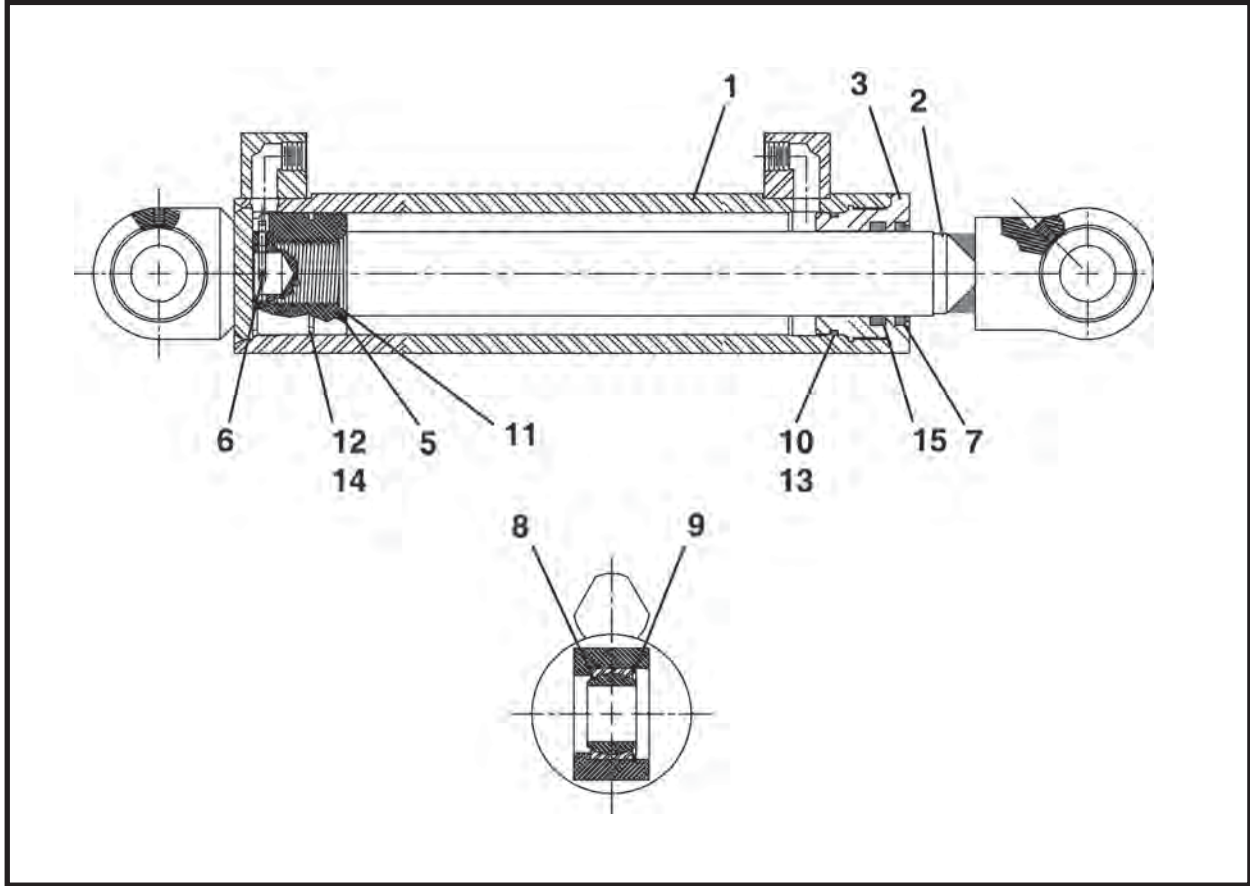
CYLINDER ASSEMBLY, 015050A
600 - 660 CLOSED FACE (NEW STYLE)



ITEM	QTY	PART NO.	DESCRIPTION
0	1	015050A	ASSEMBLY, Cylinder
1	1	015051A	BARREL
2	1	015053A	WELDMENT, Shaft & Clevis
3	1	008945P01	GLAND
4	REF	009918A00	KIT, Seal
5	1	014481P00	PISTON
6	1	P0048-033	PIN, Cotter
7*	1	P0087-004	WIPER
8	2	P0065-086	BEARING
9	2	P0076-050	RING, Snap
10*	1	P0084-234	RING, Back Up
11*	1	P0085-134	ORING
12*	1	P0085-149	ORING
13*	1	P0085-234	ORING
14*	1	P0085-C3	SEAL, Piston
15*	1	P0086-005	POLYSEAL

* Included in item 4, 009918A00, Seal Kit

CYLINDER ASSEMBLY, 015080A
720 - 780 CLOSED FACE (NEW STYLE)



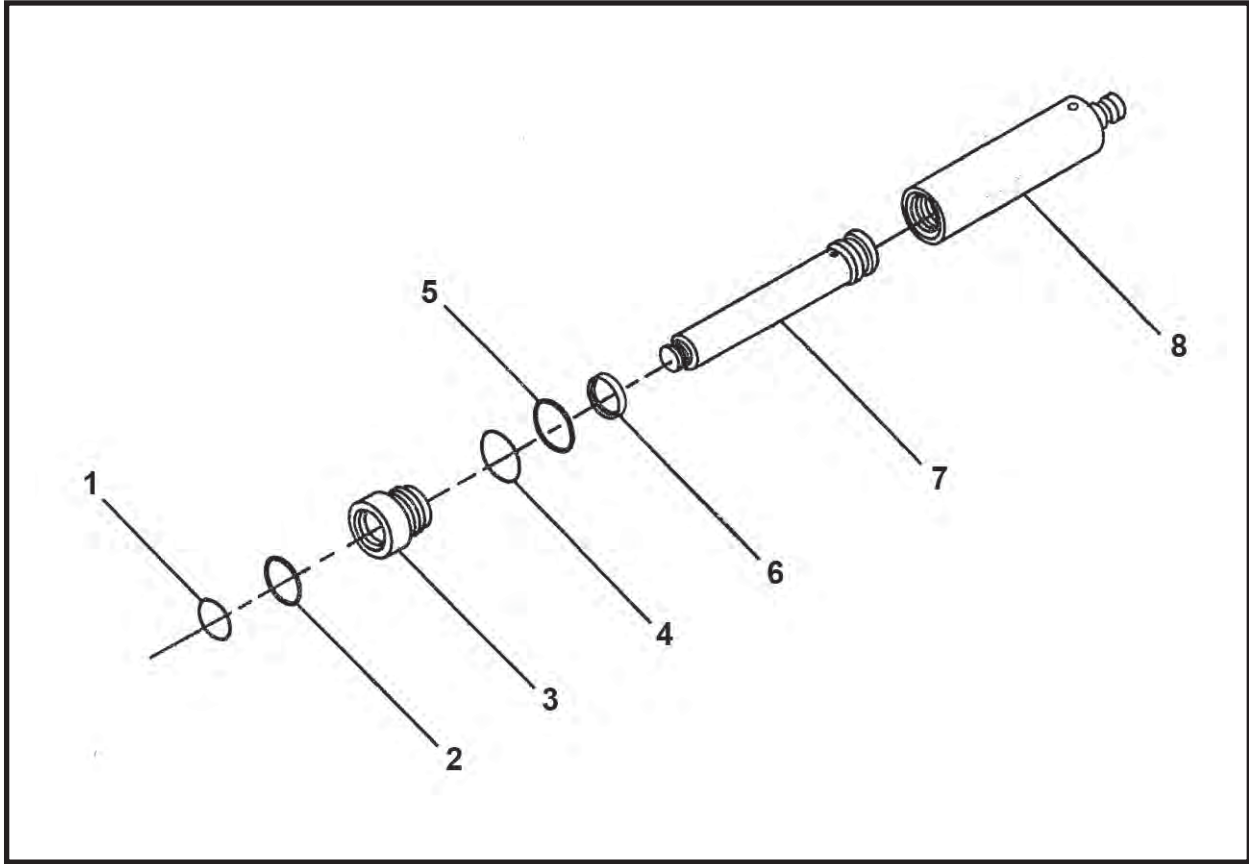
ITEM	QTY	PART NO.	DESCRIPTION
0	1	015080A	ASSEMBLY, Cylinder
1	1	015081A	BARREL
2	1	015083A	WELDMENT, Shaft & Clevis
3	1	008945P01	GLAND
4	REF	009918A00	KIT, Seal
5	1	014481P00	PISTON
6	1	P0048-033	PIN, Cotter
7*	1	P0087-004	WIPER
8	2	P0065-086	BEARING
9	2	P0076-050	RING, Snap
10*	1	P0084-234	RING, Back Up
11*	1	P0085-134	ORING
12*	1	P0085-149	ORING
13*	1	P0085-234	ORING
14*	1	P0085-C3	SEAL, Piston
15*	1	P0086-005	POLYSEAL

* Included in item 4, 009918A00, Seal Kit

Cylinders

NOTES

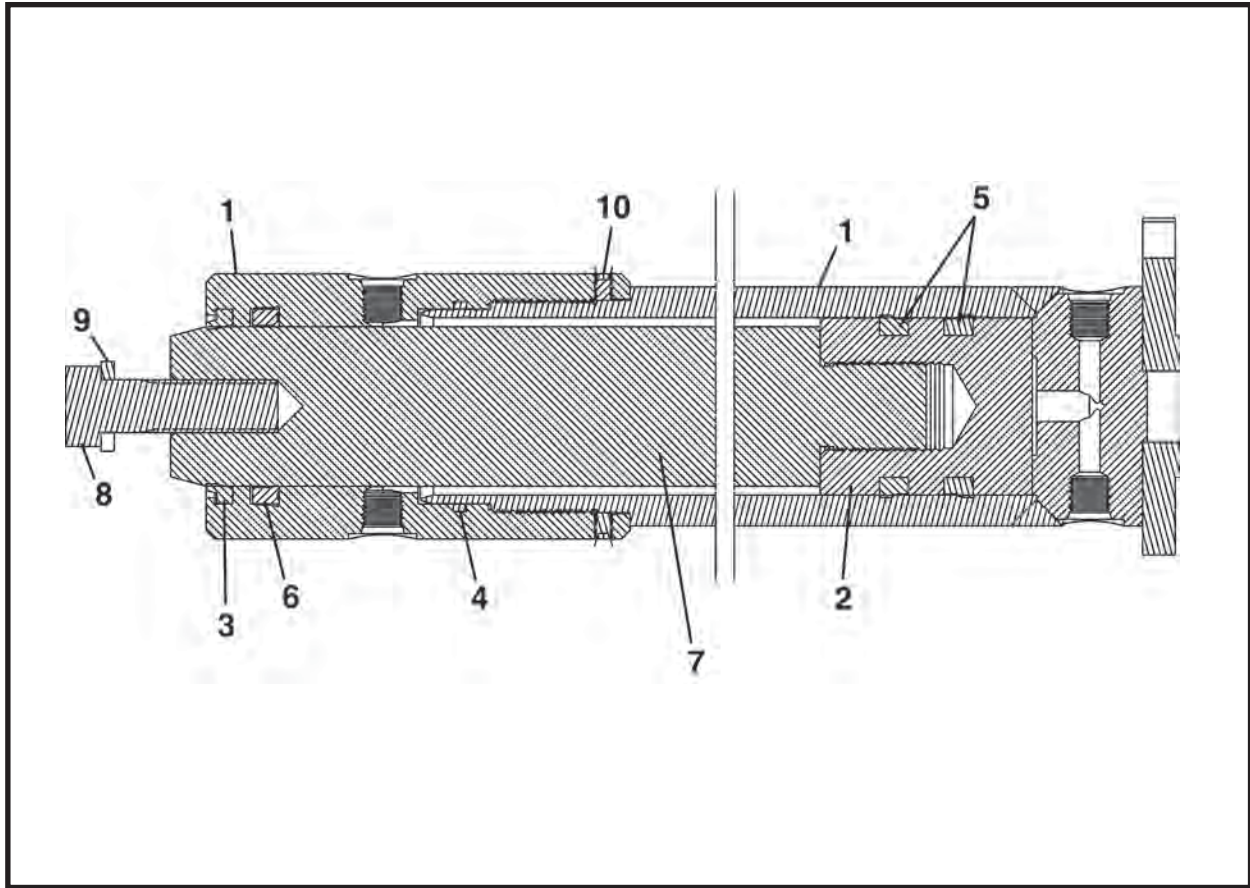
IJS CYLINDER, F03531F02



ITEM	QTY	PART NO.	DESCRIPTION
0	1	F03531F02	CYLINDER, IJS
1*	1	P0087-001	WIPER
2*	1	P0086-003	POLYSEAL
3	1	003095P02	CAP, End
4*	1	P0084-139	RING, Back-Up
5*	1	P0085-139	ORING
6*	1	P0088-002	RING, Wear
7	1	003348P02	SHAFT
8	1	003364A01	BARREL
9	REF	007344A00	KIT, Seal

* Included in item 9, 007344A00 Seal Kit.

LINER CAN CYLINDER ASSEMBLY, 30" STROKE, 002617A01
LINER CAN

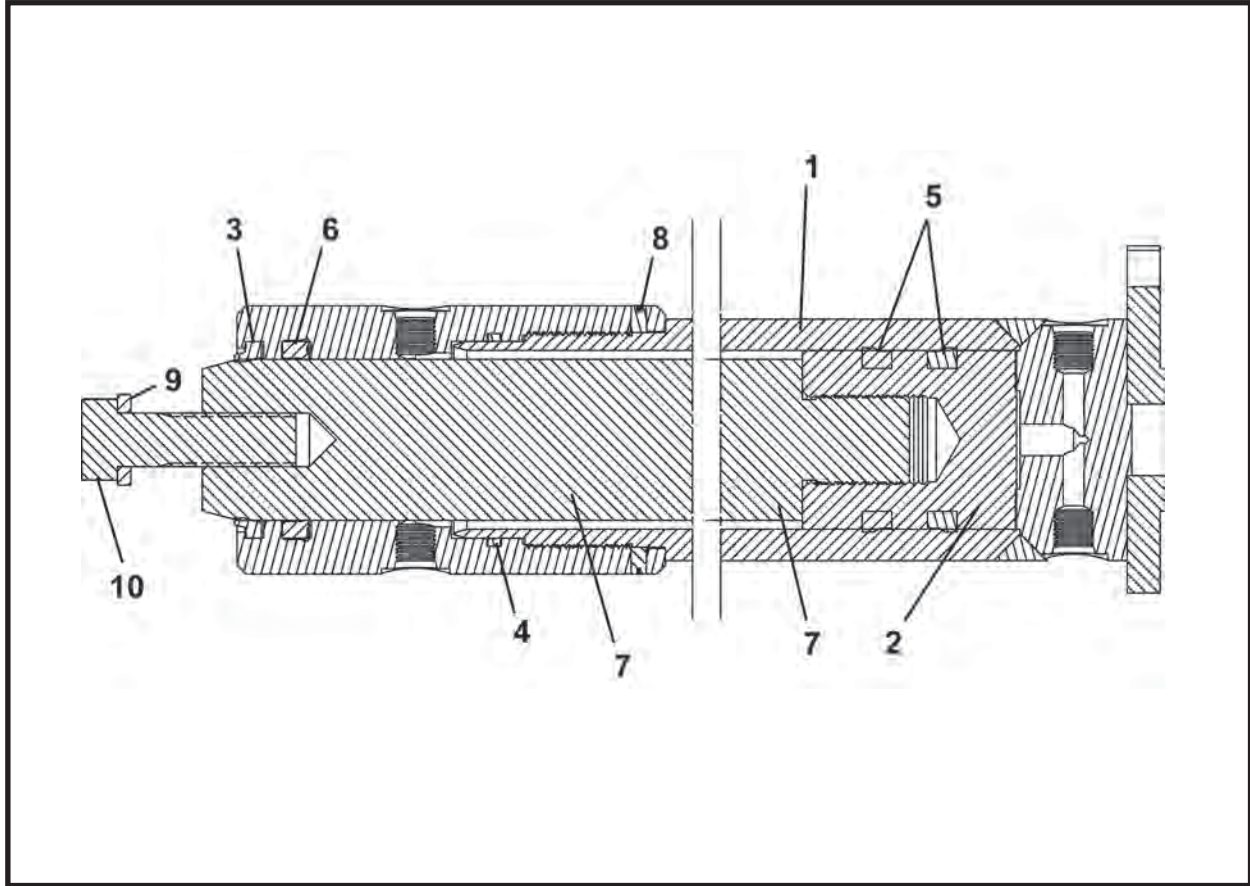


ITEM	QTY	PART NO.	DESCRIPTION
0	1	002617A01	CYLINDER ASSEMBLY, Liner Can, 30" Stroke
1	1	022831A	BARREL & GLAND (Includes items 1a - 1b)
1a	1	003051A00	PISTON
1b	1	003054P00	CAP
2	1	003050P01	PISTON
3	1	P0087-004	WIPER
4	1	P0085-S1	ORING, Square
5	2	P0086-009	POLYSEAL
6	1	P0086-005	POLYSEAL
7	1	003053P00	SHAFT
8	1	P0001-12-010	BOLT, 3/4 UNC x 2.5
9	1	P0045-012	WASHER, Lock 3/4
10	2	P0033-04-006	SCREW, Socket Head Cap, 1/4 UNC x 3/8

* Install polyseals back to back as shown.

** Install with large part of lip toward pressure.

LINER CAN CYLINDER ASSEMBLY, 38" STROKE, 011720A00
LINER CAN



ITEM	QTY	PART NO.	DESCRIPTION
0	1	011720A00	CYLINDER ASSEMBLY, Liner Can, 38" Stroke
1	1	022832A	BARREL (Includes items 1a - 1b)
1a	1	011721A00	BARREL
1b	1	003054P00	CAP
2	1	003050P01	PISTON
3	1	P0087-004	WIPER
4	1	P0085-S1	ORING, Square
5*	2	P0086-009	POLYSEAL
6**	1	P0086-005	POLYSEAL
7	1	011723P00	SHAFT
8	2	P0033-04-006	SCREW, Socket Head Cap, 1/4 UNC x .375
9	1	P0045-012	WASHER, Lock 3/4
10	1	P0001-12-010	BOLT, 3/4 UNC x 2.5

* Install polyseals back to back as shown.

** Install with large part of lip toward pressure.

NOTES



Miscellaneous / Conveyors / IJS

Belt Conveyors

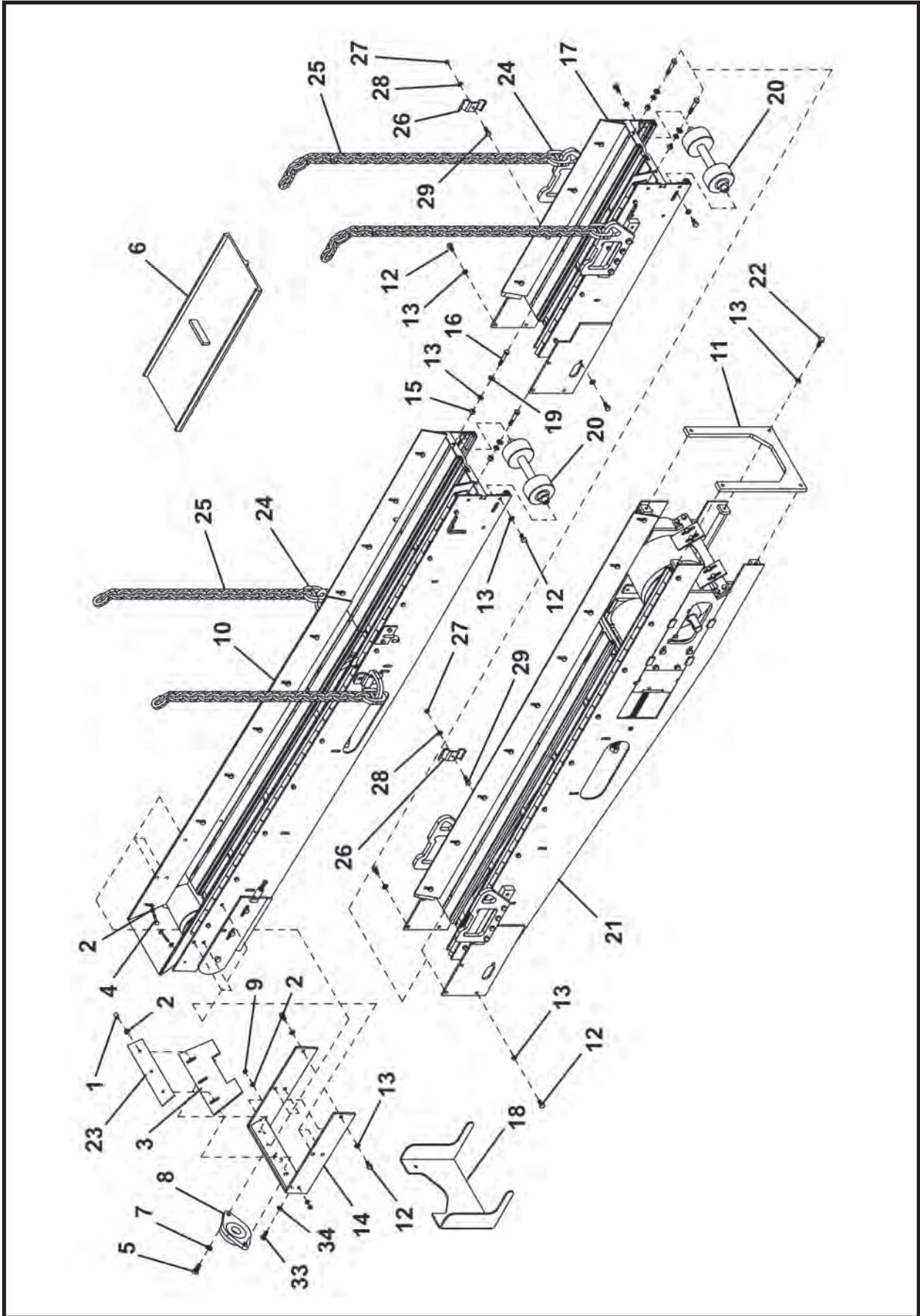
2415 Belt Conveyor, F27450F00	2
2418 Belt Conveyor, F27455F	2
Feed Frame Assembly, 027313A00	4
Feed Frame Spoils Guide Assembly - Left Front, 027137A00	5
Feed Frame Spoils Guide Assembly - Right Front, 027221A00	6
Front Roller Assembly, 027307A00	7
Feed Frame Spoils Guide Assembly - Left Rear, 027265A00	8
Feed Frame Spoils Guide Assembly - Right Rear, 027266A00	9
Extension Frame Assembly (2415), 027314A00	10
Short Spoils Guide Assembly - Front (2415), 027134A00	11
Short Spoils Guide Assembly - Rear (2415), 027267A00	12
Extension Frame Assembly (2418), 027456A	13
Spoils Guide Assembly - Left (2418), 027461A	14
Spoils Guide Assembly - Right (2418), 027462A	15
Idler Roller Assembly, 027311A00	16
Drive Frame Assembly, 027425A00	17
Drive Frame Spoils Guide Assembly - Left, 027131A00	18
Drive Frame Spoils Guide Assembly - Right, 027219A00	19
Drive Motor & Roller Assembly, 027420A00	20

Screw Conveyor

140 Screw Conveyor, F24500F00	22
160 Screw Conveyor, F09885F00	24

Intermediate Jacking Station	26
High Pressure Starter Hose 30', F09802F01	27
Low Pressure Starter Hose 30', F09803F01	28
IJS Tunnel Line 10' 6", F09800F00	29
Tee Connector, F09804F00	30
IJS Valve (With Cable), F04908F01	32
Starter Connection, F09805F00	34
IJS Coupler Assembly, 005133A02	35
IJS Segment Assembly	36
IJS Cylinder, F03531F02	37
IJS Hydraulic Schematic	38

BELT CONVEYORS
2415 & 2418 BELT CONVEYORS

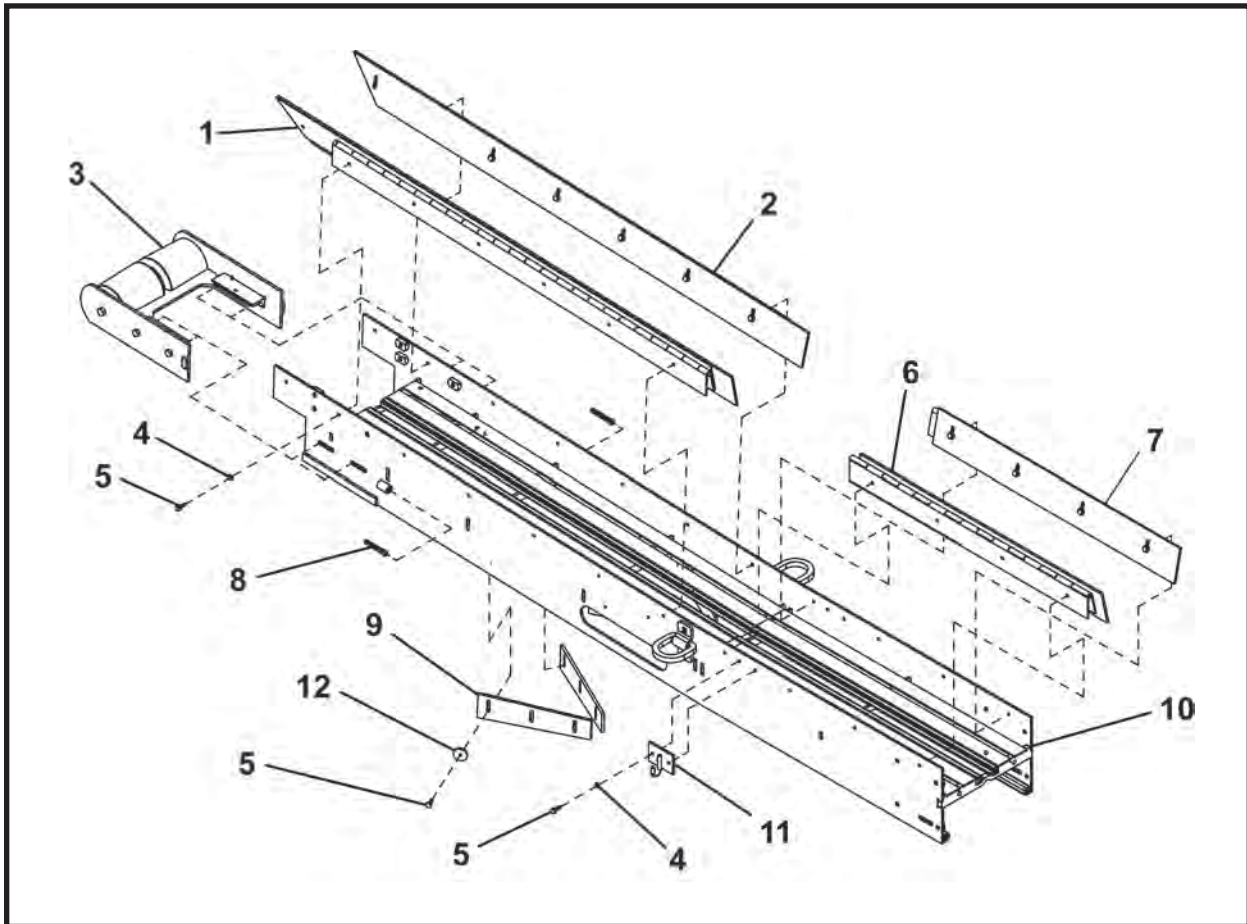


BELT CONVEYORS
2415 & 2418 BELT CONVEYORS

ITEM	QTY	PART NO.	PART NO.	DESCRIPTION
0	1	F27450F00	F27455F	CONVEYOR, Belt
1	3	P0020-14-204	P0020-14-204	SCREW, Slotted Truss Head 1/4 UNC x .75
2	7	P0040-004	P0040-004	WASHER, Flat 1/4
3	1	027339P00	027339P00	SCRAPER, External Belt
4	2	P0020-14-207	P0020-14-207	SCREW, Slotted Truss Head 1/4 UNC x 1.5
5	2	P0001-07-004	P0001-07-004	BOLT, Hex 7/16 UNC x 1
6a	1	P0067-042	-	BELTING, 24" x 29' 8" (belt with extension frame)
6b	1	P0067-010	-	BELTING, 24" x 24' 8" (belt without extension frame)
6c	1	-	P0067-011	BELTING, 24" x 34' 8"
7	2	P0045-007	P0045-007	WASHER, Lock 7/16
8	1	P0065-017	P0065-017	BEARING, Conveyor End Pivot
9	2	P0003-04-000	P0003-04-000	NUT, 1/4 UNC
10	1	027313A00	027313A00	FEED FRAME ASSEMBLY
11	1	027336P00	027336P00	SUPPORT, Drive Frame Free End
12	26	P0001-06-003	P0001-06-003	BOLT, 3/8 UNC x .75
13	34	P0040-006	P0040-006	WASHER, Hardened Flat 3/8
14	1	027150A	027150A	MOUNT, Nose Bearing
15	4	P0003-06-000	P0003-06-000	NUT, 3/8 UNC
16	4	P0001-06-008	P0001-06-008	BOLT, 3/8 UNC x 2
17	1	027314A00	027456A	EXTENSION FRAME ASSEMBLY
18	1	027155A	027155A	GUARD, Dirt
19	4	P0040-006	P0040-006	WASHER, Hardened Flat 3/8
20	2	027311A00	027311A00	IDLER ROLLER ASSEMBLY
21	1	027425A	027425A	DRIVE FRAME ASSEMBLY
22	4	P0001-06-004	P0001-06-004	BOLT, 3/8 UNC x 1
23	1	027411P	027411P	PLATE, Feed Belt Retainer
24	4	P0098-010	P0098-010	LINK, 3/8 Hammerlock Link
25	4	P0094-003-060	P0094-003-060	CHAIN, 3/8 x 60
26	2	002269P01	002269P01	CLAMP, Line
27	2	P0004-05-000	P0004-05-000	NUT, 5/16 UNF
28	2	P0045-005	P0045-005	WASHER, Lock 5/16
29	2	P0001-05-003	P0001-05-003	BOLT, 5/16 UNC x .75
30*	2	A10320A-132	A10320A-132	HOSE ASSEMBLY 1/2 x 132
31*	1	P0100-004A	P0100-004A	COUPLER, Quick 1/2 Female
32*	1	P0100-004B	P0100-004B	COUPLER, Quick 1/2 Male
33	2	P0001-08-004	P0001-08-004	BOLT, 1/2 UNC x 1
34	2	P0040-008	P0040-008	WASHER, Hardened Flat 1/2

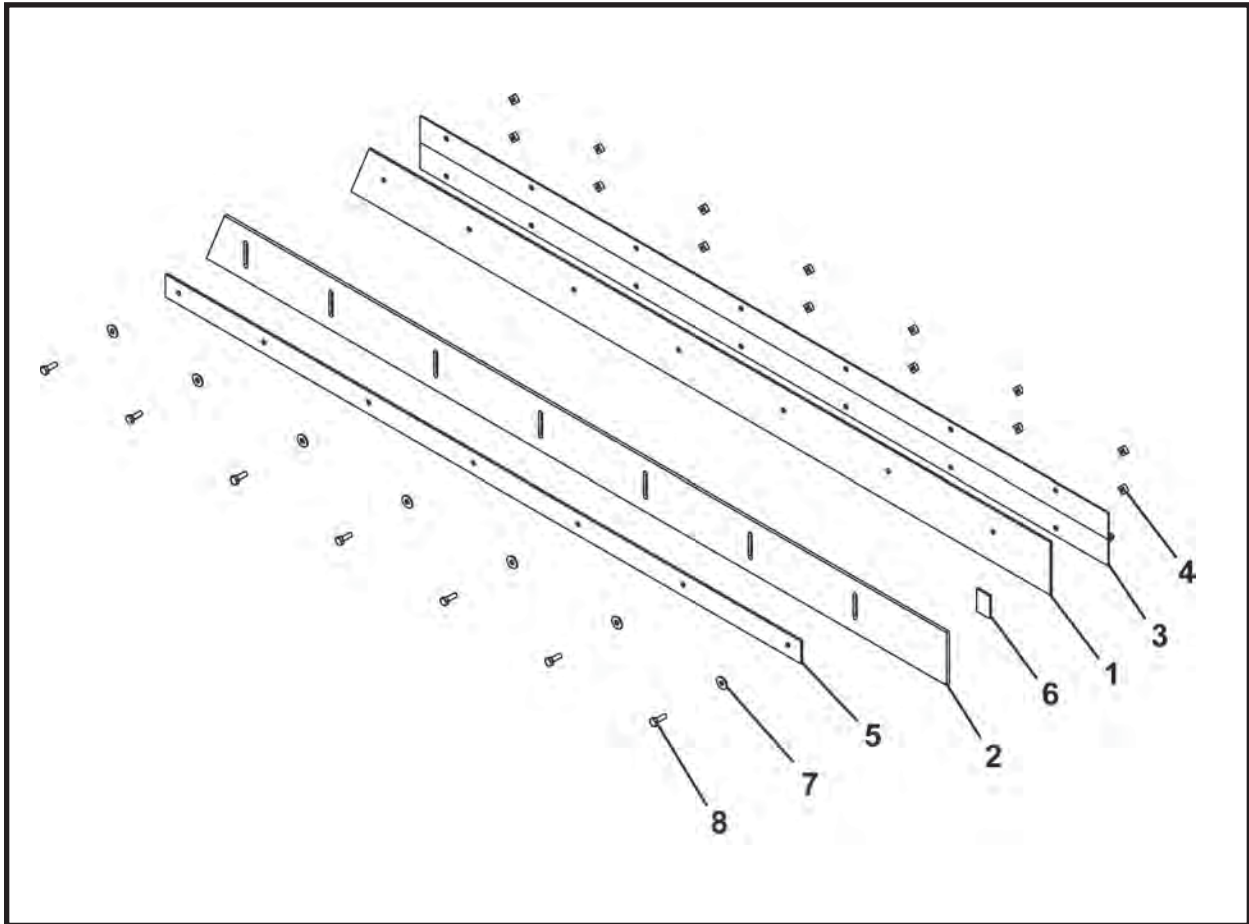
* Not Shown

FEED FRAME ASSEMBLY, 027313A00
2415 & 2418 CONVEYORS



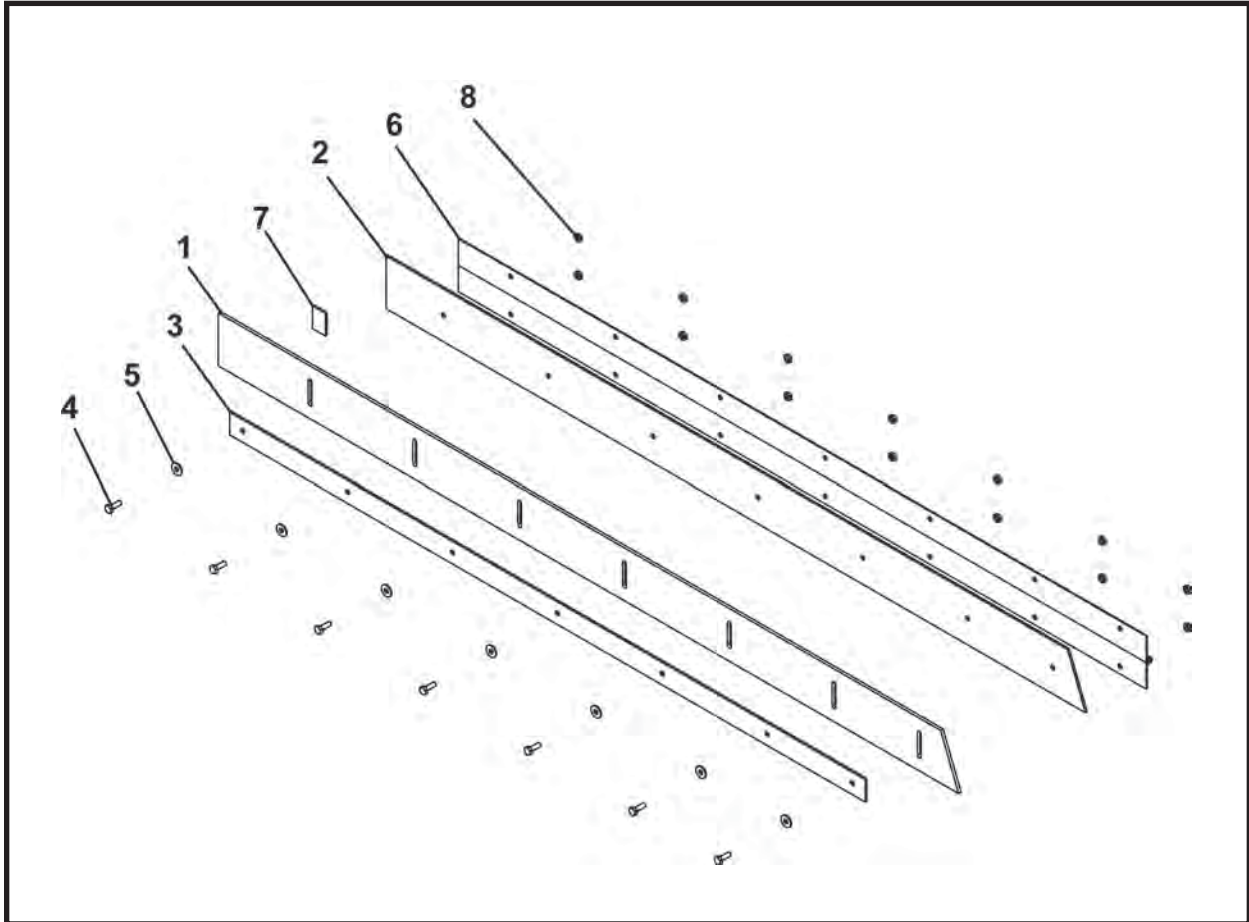
ITEM	QTY	PART NO.	DESCRIPTION
0	1	027313A00	ASSEMBLY, Feed Frame
1	1	027137A00	ASSEMBLY, Feed Frame Spoils Guide - Left Front
2	1	027221A00	ASSEMBLY, Feed Frame Spoils Guide - Right Front
3	1	027307A00	ASSEMBLY, Front Roller
4	24	P0045-004	WASHER, Lock 1/4
5	30	P0001-04-003	BOLT, Hex 1/4 UNC x 3/4
6	1	027265A00	ASSEMBLY, Feed Frame Spoils Guide - Left Rear
7	1	027266A00	ASSEMBLY, Feed Frame Spoils Guide - Right Rear
8	2	P0034-06-012	SCREW, Square Head Set 3/8-16 UNC x 3
9	2	027346P00	BELTING, Inner Belt Scraper
10	1	027302A00	WELDMENT, Feed Frame (Includes items 10a-10c)
10a	2	001496P00	NUT, Adjustment
10b	14	P0007-06-000	NUT, Jam 3/8 UNC
10c	2	P0079-003	D-RING, 1/2
11	1	005436A00	PLATE, Hook
12	8	002624P00	WASHER, Dirt Paddle

FEED FRAME SPOILS GUIDE ASSEMBLY - LEFT FRONT, 027137A00
2415 & 2418 CONVEYORS



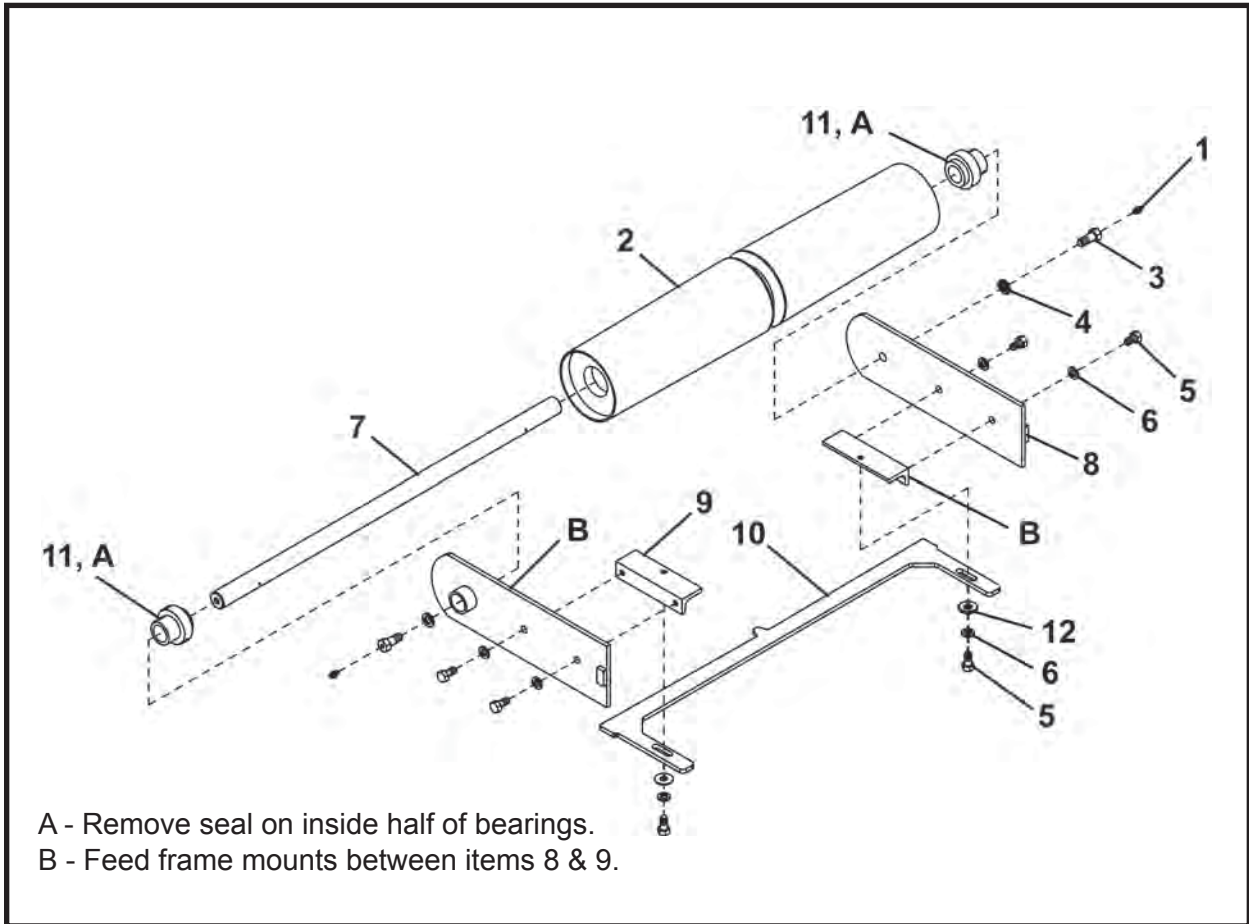
ITEM	QTY	PART NO.	DESCRIPTION
0	1	027137A00	ASSEMBLY, Feed Frame Spoils Guide - Left Front
1	1	027139P00	SUPPORT BAR, Feed Frame Spoils
2	1	027140P00	STRIP, Wear, Feed Frame Spoils
3	1	027138P00	HINGE, Feed Frame Spoils
4	14	P0011-004B	NUT, Weld 1/4 UNC
5	1	027248P00	BRACKET, Feed Frame Wear Strip
6	1	027216P00	TAB, Feed Frame Support Bar
7	7	P0040-004	WASHER, Hardened Flat 1/4
8	7	P0001-04-003	BOLT, 1/4 UNC x .75

FEED FRAME SPOILS GUIDE ASSEMBLY - RIGHT FRONT, 027221A00
2415 & 2418 CONVEYORS



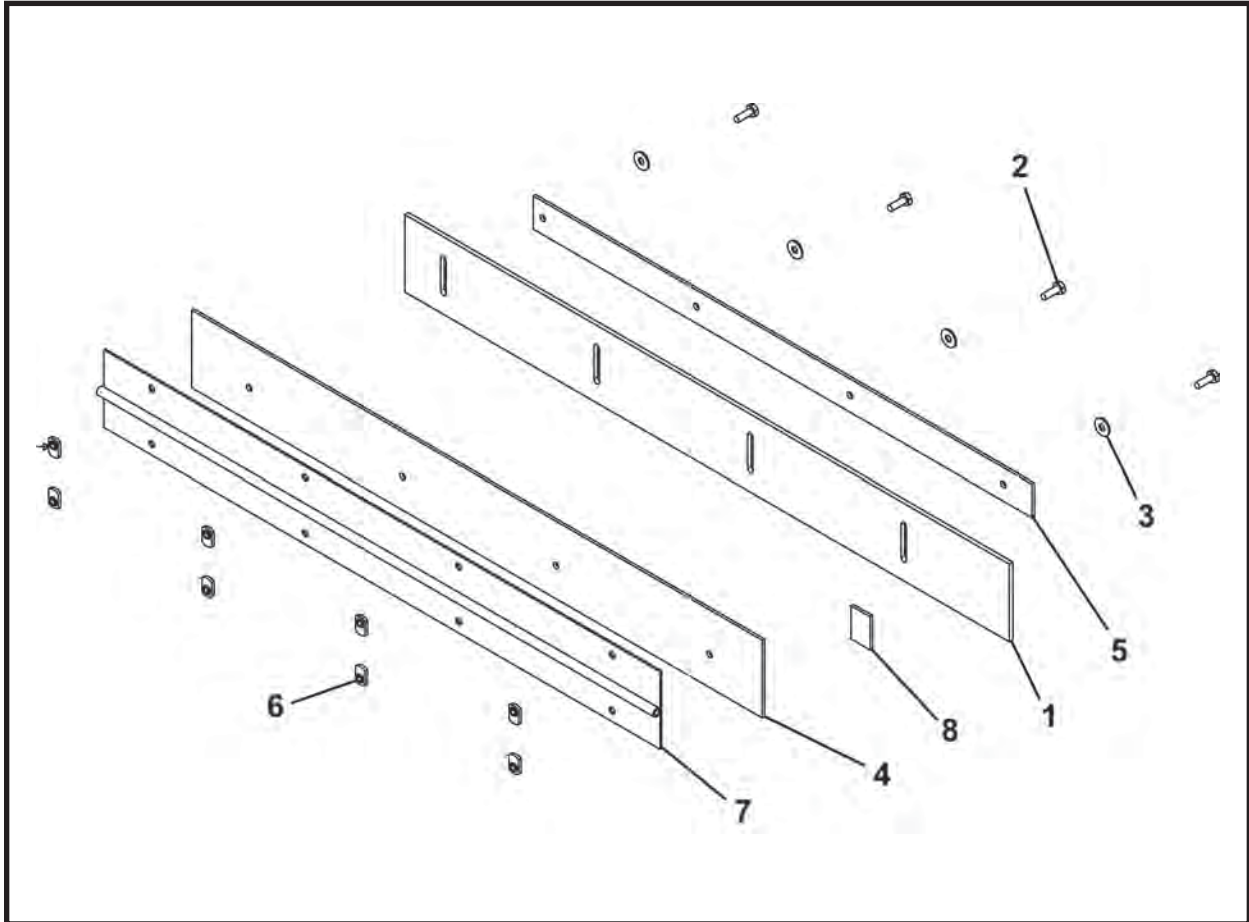
ITEM	QTY	PART NO.	DESCRIPTION
0	1	027221A00	ASSEMBLY, Feed Frame Spoils Guide - Right Front
1	1	027140P00	STRIP, Wear, Feed Frame Spoils
2	1	027139P00	SUPPORT BAR, Feed Frame Spoils - Right
3	1	027248P00	BRACKET, Feed Frame Wear Strip
4	7	P0001-04-003	BOLT, 1/4 UNC x .75
5	7	P0040-004	WASHER, Lock 1/4
6	1	027138P00	HINGE, Feed Frame Spoils
7	1	027216P00	TAB, Feed Frame Support Bar
8	14	P0011-004B	NUT, Weld 1/4 UNC

FRONT ROLLER ASSEMBLY, 027307A00
2415 & 2418 CONVEYORS



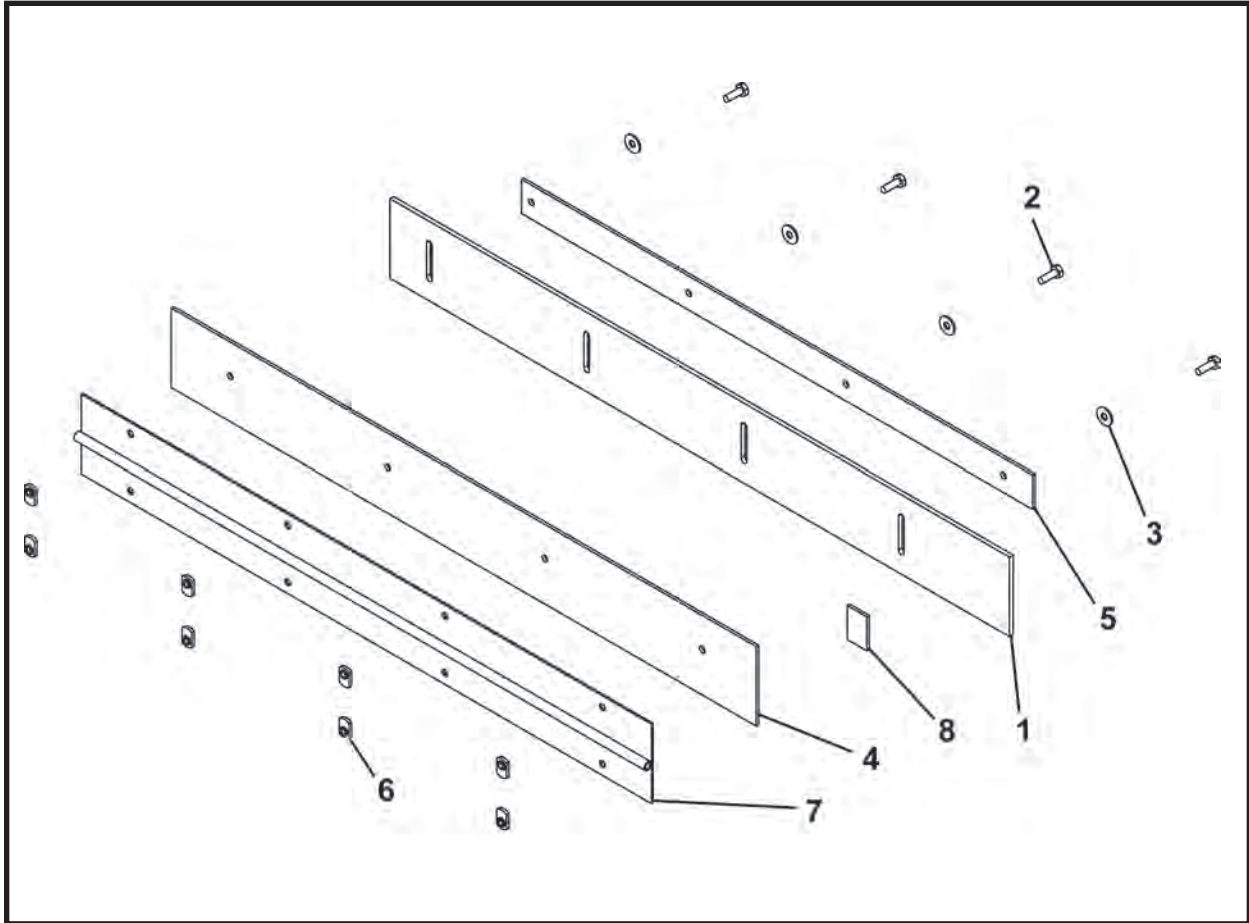
ITEM	QTY	PART NO.	DESCRIPTION
0	1	027307A00	ASSEMBLY, Front Roller
1	2	P0063-001	FITTING, Grease Str.
2	1	027347A00	WELDMENT, Front Roller
3	2	002386P01	BOLT, Grease
4	2	P0045-007	WASHER, Lock 7/16
5	6	P0001-06-003	BOLT, Hex 3/8 UNC x .75
6	6	P0045-006	WASHER, Lock 3/8
7	1	027343P00	SHAFT, Front Roller
8	2	027109A00	WELDMENT, Front Roller Mounting Bracket
9	2	027130P00	MOUNT, Front Roller Scraper
10	1	027340P00	SCRAPER, Front Roller
11	2	P0065-006	BEARING
12	2	P0040-006	WASHER, Hardened Flat 3/8

FEED FRAME SPOILS GUIDE ASSEMBLY - LEFT REAR, 027265A00
2415 & 2418 CONVEYORS



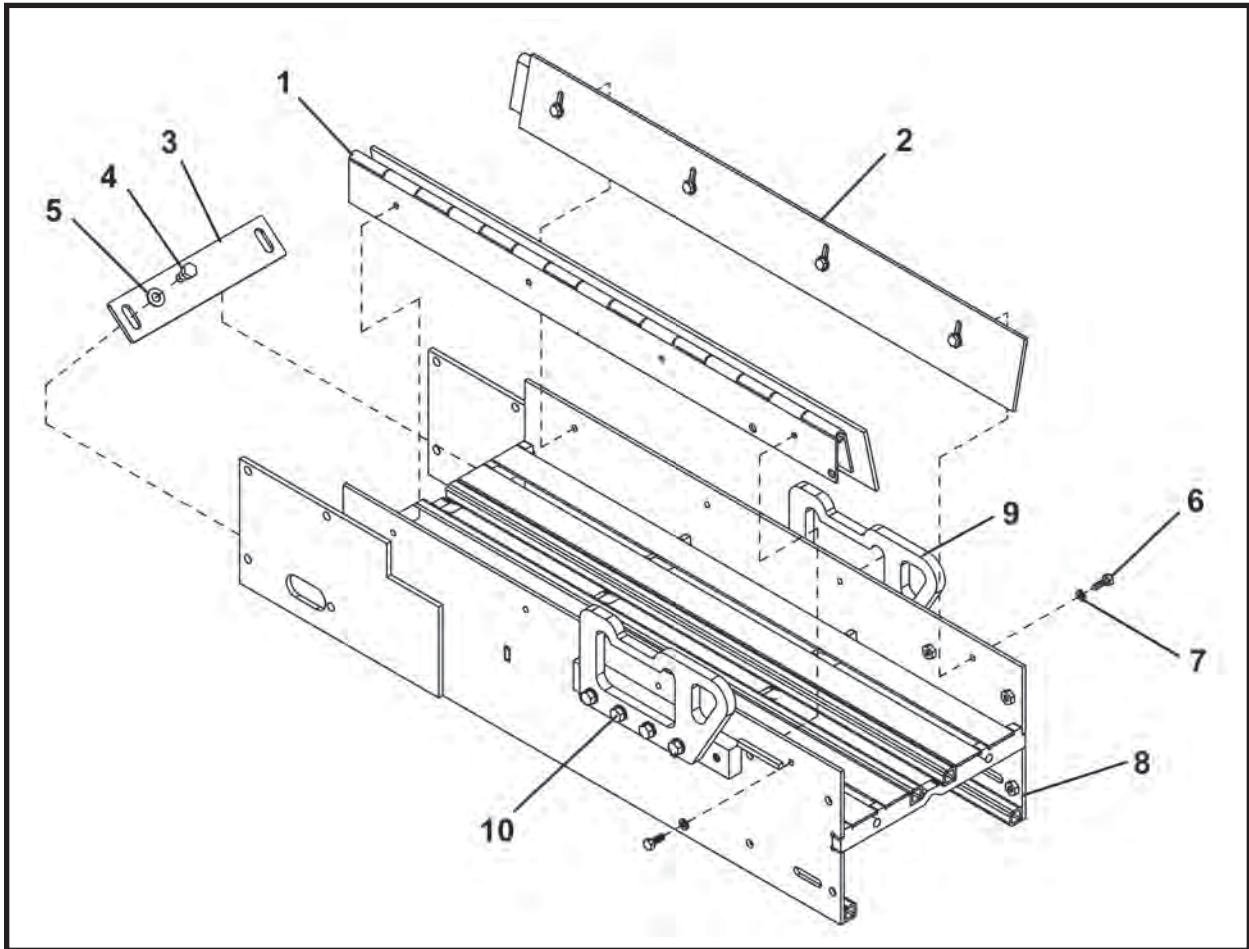
ITEM	QTY	PART NO.	DESCRIPTION
0	1	027265A00	ASSEMBLY, Feed Frame Spoils Guide - Left Rear
1	1	027217P00	SUPPORT BAR, Feed Frame Spoils - Left
2	1	027135P00	HINGE, Short Spoils Guide
3	8	P0011-004B	NUT, Weld 1/4 UNC
4	1	027136P00	STRIP, Short Spoils Guide Wear
5	4	P0040-004	WASHER, Hardened Flat 1/4
6	4	P0001-04-003	BOLT, 1/4 UNC x 3/4
7	1	027249P00	BRACKET, Short Spoils Wear Strip
8	1	027216P00	TAB, Feed Frame Support Bar

FEED FRAME SPOILS GUIDE ASSEMBLY - RIGHT REAR, 027266A00
2415 & 2418 CONVEYORS



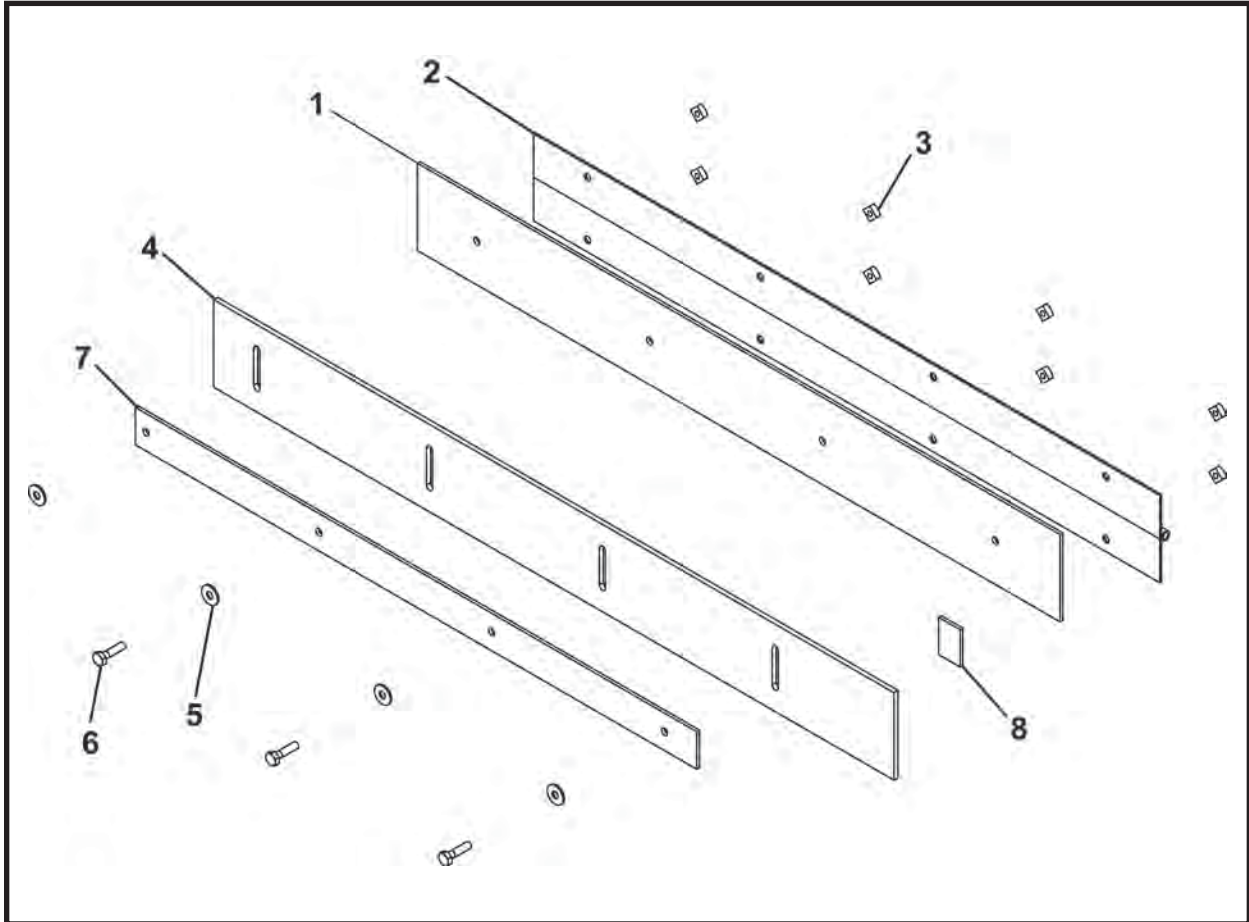
ITEM	QTY	PART NO.	DESCRIPTION
0	1	027266A00	ASSEMBLY, Feed Frame Spoils Guide - Right Rear
1	1	027136P00	STRIP, Short Spoils Guide Wear
2	4	P0001-04-003	BOLT, 1/4 UNC x .75
3	4	P0040-004	WASHER, Hardened Flat 1/4
4	1	027217P00	SUPPORT BAR, Feed Frame Spoils - Right
5	1	027249P00	BRACKET, Short Spoils Wear Strip
6	8	P0011-004B	NUT, Weld 1/4 UNC
7	1	027135P00	HINGE, Short Spoils Guide
8	1	027216P00	TAB, Feed Frame Support Bar

EXTENSION FRAME ASSEMBLY, 027314A00
2415 CONVEYOR



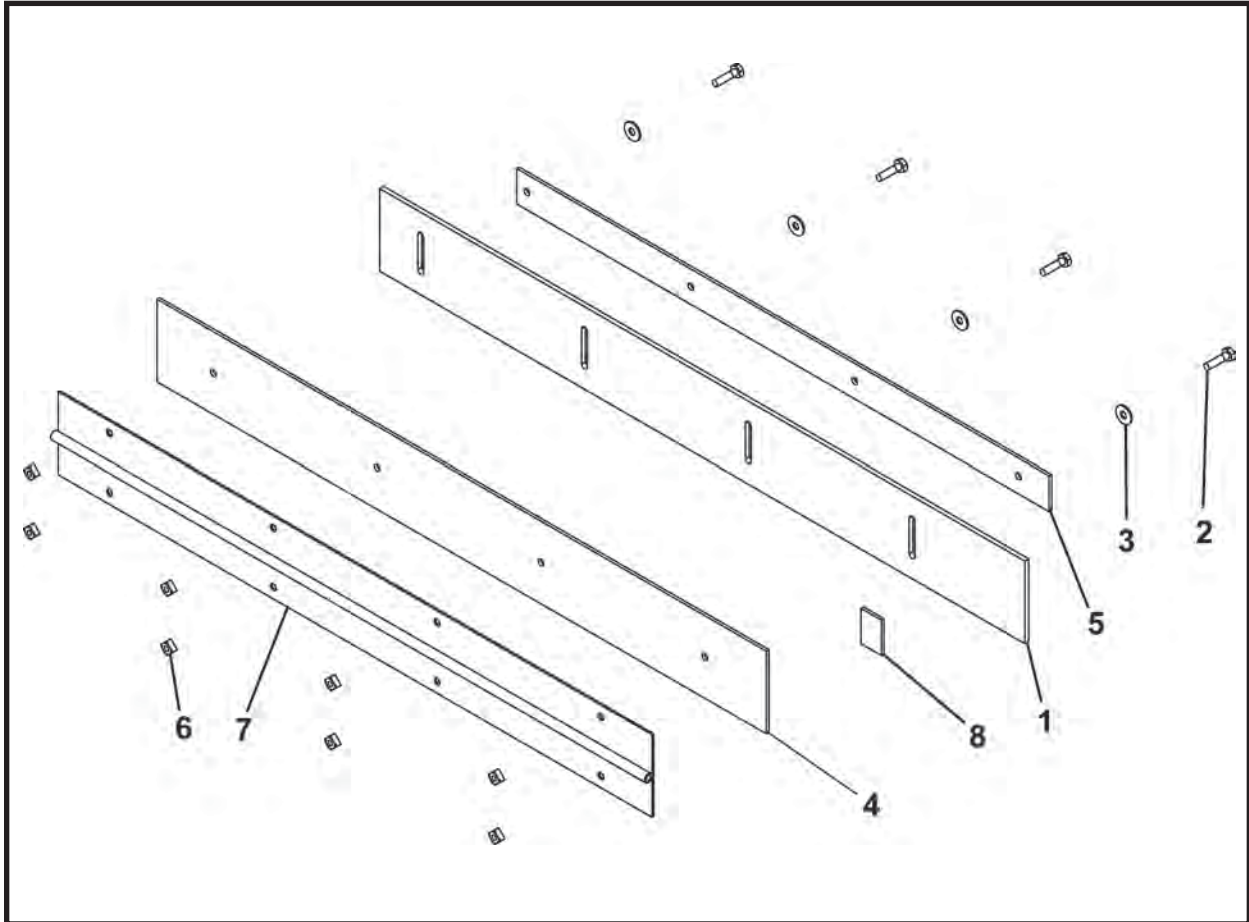
ITEM	QTY	PART NO.	DESCRIPTION
0	1	027314A00	ASSEMBLY, Extension Frame
1	1	027134A00	ASSEMBLY, Short Spoils Guide - Left
2	1	027267A00	ASSEMBLY, Short Spoils Guide - Right
3	1	027345P00	PLATE, Idler Roller Scraper
4	2	P0001-06-002	BOLT, 3/8 UNC x .5
5	2	P0040-006	WASHER, Lock 3/8
6	8	P0001-04-003	BOLT, 1/4 UNC x .75
7	8	P0045-004	WASHER, Lock 1/4
8	1	027303A00	WELDMENT, Extension Frame (Includes items 8a-8b)
8a	2	P0011-006A	NUT, Strut Square 3/8
8b	8	P0007-06-000	NUT, Jam 3/8 UNC
9	2	025344P	LIFT EYE
10	8	P0001-06-005	BOLT, 3/8 UNC x 1.25

SHORT SPOILS GUIDE ASSEMBLY - LEFT, 027134A00
2415 CONVEYOR - EXTENSION



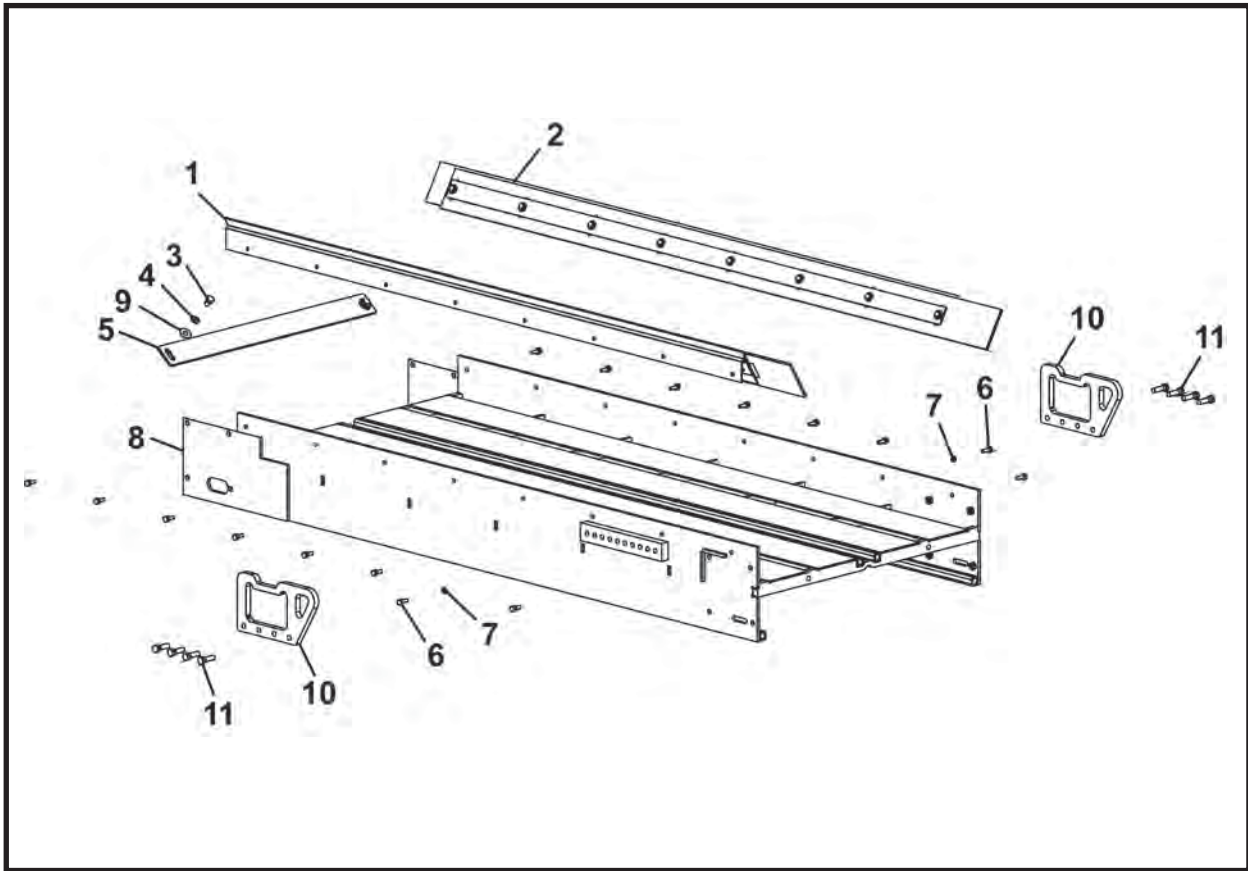
ITEM	QTY	PART NO.	DESCRIPTION
0	1	027134A00	ASSEMBLY, Short Spoils Guide - Left
1	1	027217P00	SUPPORT BAR, Feed Frame Spoils - Left
2	1	027135P00	HINGE, Short Spoils Guide
3	8	P0011-004B	NUT, Weld 1/4 UNC
4	1	027136P00	STRIP, Short Spoils Guide Wear
5	4	P0045-004	WASHER, Lock 1/4
6	4	P0001-04-003	BOLT, Hex 1/4 UNC x .75
7	1	027249P00	BRACKET, Short Spoils Wear Strip
8	1	027216P00	TAB, Feed Frame Support Bar

SHORT SPOILS GUIDE ASSEMBLY - RIGHT, 027267A00
2415 CONVEYOR - EXTENSION



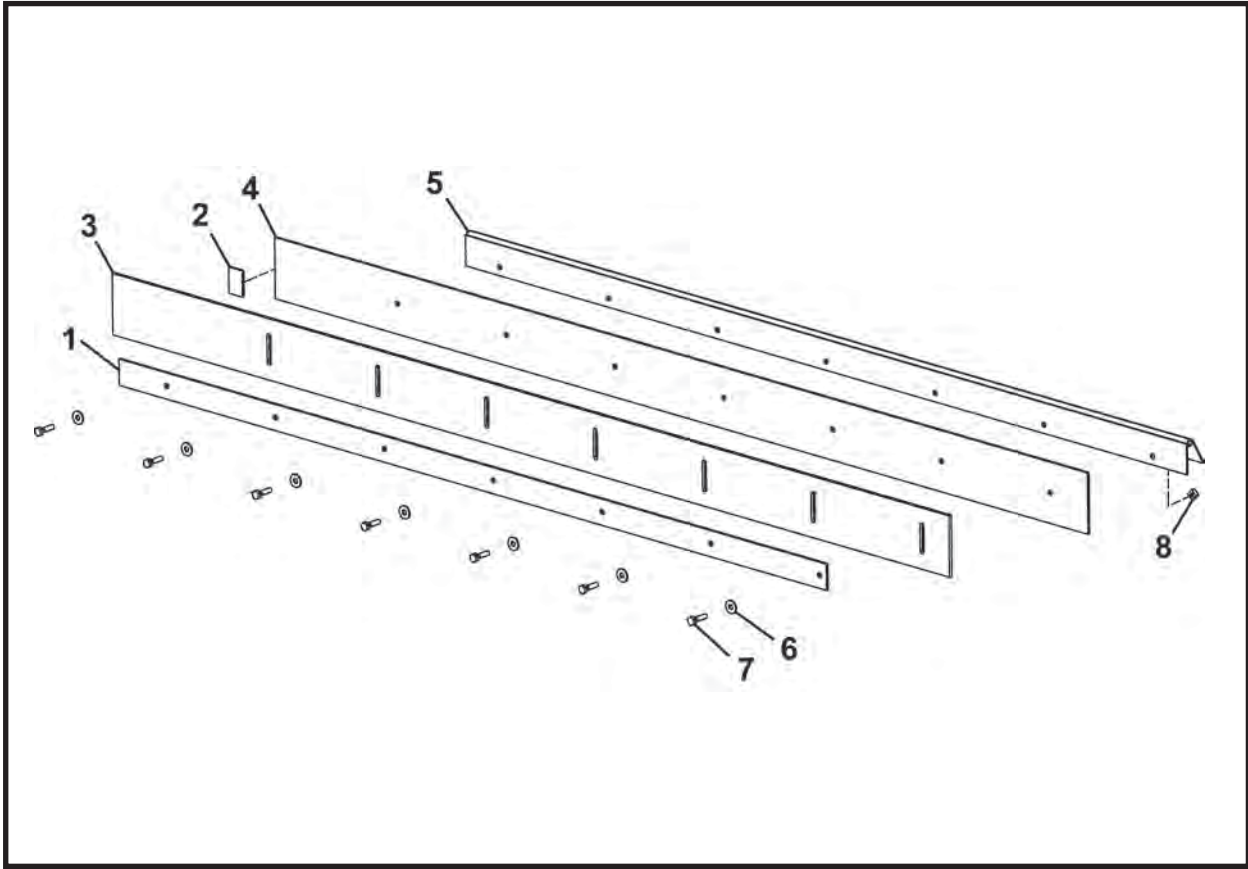
ITEM	QTY	PART NO.	DESCRIPTION
0	1	027267A00	ASSEMBLY, Short Spoils Guide - Right
1	1	027136P00	STRIP, Short Spoils Guide Wear
2	4	P0001-04-003	BOLT, Hex 1/4-20 UNC x 3/4
3	4	P0045-004	WASHER, Lock 1/4
4	1	027217P00	SUPPORT BAR, Feed Frame Spoils - Right
5	1	027249P00	BRACKET, Short Spoils Wear Strip
6	8	P0011-004B	NUT, Weld 1/4-20 UNC
7	1	027135P00	HINGE, Short Spoils Guide
8	1	027216P00	TAB, Feed Frame Support Bar

EXTENSION FRAME ASSEMBLY, 027456A
2418 CONVEYOR - EXTENSION



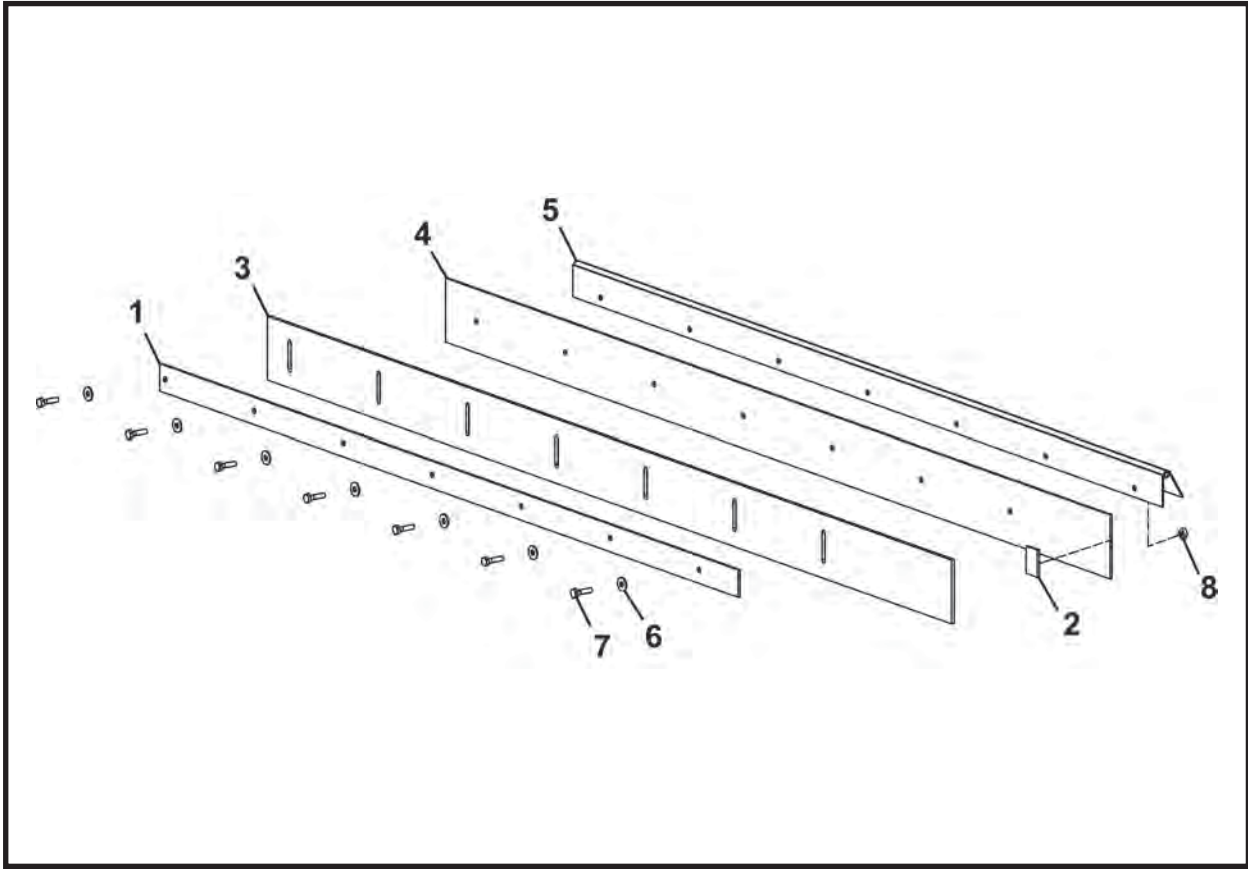
ITEM	QTY	PART NO.	DESCRIPTION
0	1	027456A	ASSEMBLY, Extension Frame
1	1	027461A	ASSEMBLY, Spoils Guide - Left
2	1	027462A	ASSEMBLY, Spoils Guide - Right
3	2	P0001-06-002	BOLT, 3/8 UNC x .5
4	2	P0045-006	WASHER, Lock 3/8
5	1	027345P00	PLATE, Idler Roller Scraper
6	16	P0001-04-003	BOLT, 1/4 UNC x .75
7	16	P0045-004	WASHER, Lock 1/4
8	1	027457A	WELDMENT, Extension Frame (Includes items 8a-8b)
8a	2	P0011-006A	NUT, Strut Square 3/8
8b	8	P0007-06-000	NUT, Jam 3/8 UNC
9	2	P0040-006	WASHER, Hardened Flat 3/8
10	2	025344P	LIFT EYE
11	8	P0001-06-005	BOLT, 3/8 UNC x 1.25

SPOILS GUIDE ASSEMBLY - LEFT, 027461A
2418 CONVEYOR - EXTENSION



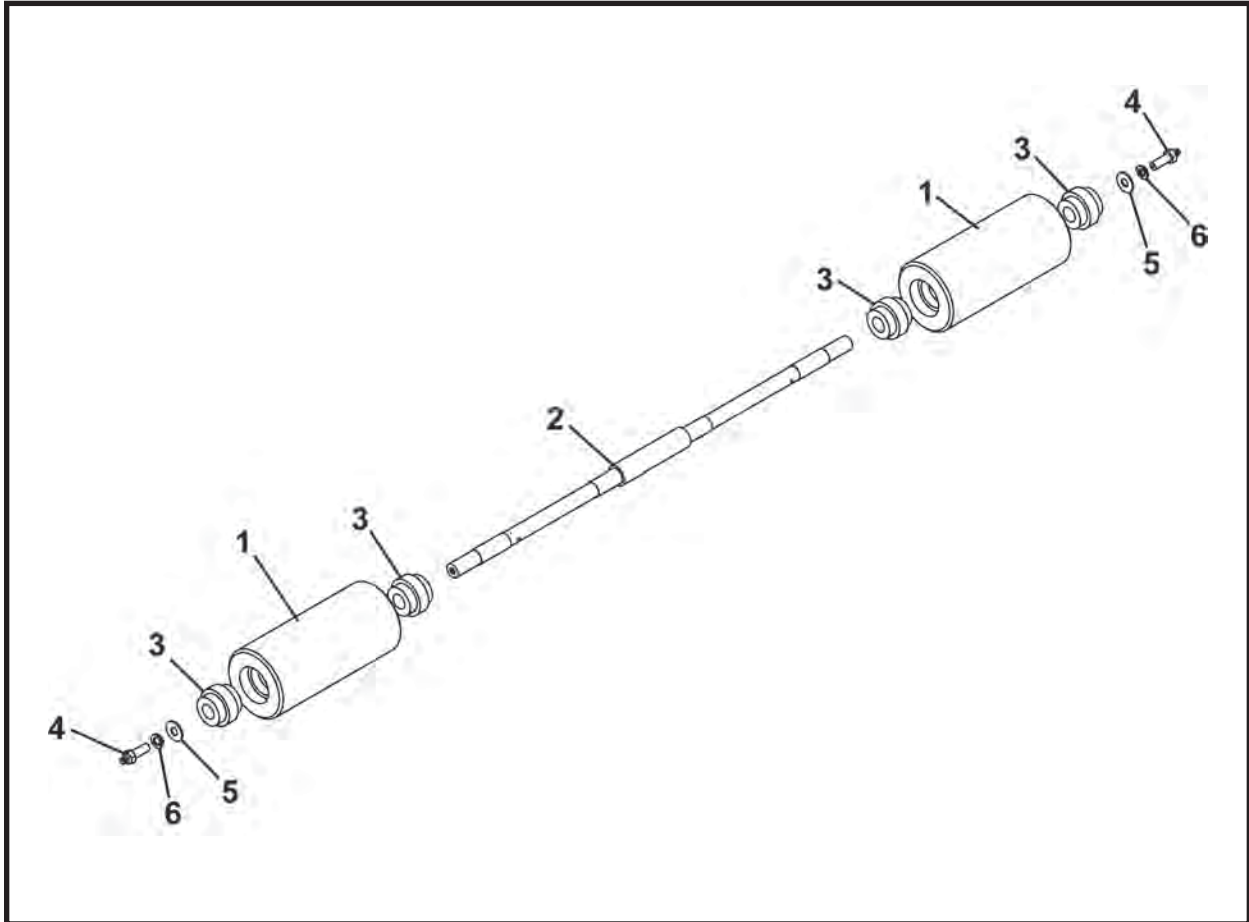
ITEM	QTY	PART NO.	DESCRIPTION
0	1	027461A	ASSEMBLY, Spoils Guide - Left
1	1	027468P	BRACKET, Wear Strip
2	1	027216P00	TAB, Feed Frame Support Bar
3	1	027467P	GUIDE, Wear Strip
4	1	027463P	SUPPORT BAR
5	1	027464P	HINGE, Spoils Guide
6	8	P0045-004	WASHER, Lock 1/4
7	8	P0001-04-003	BOLT, Hex 1/4 UNC x .75
8	16	P0011-004C	NUT, Strut Square 1/4

SPOILS GUIDE ASSEMBLY - RIGHT, 027462A
2418 CONVEYOR - EXTENSION



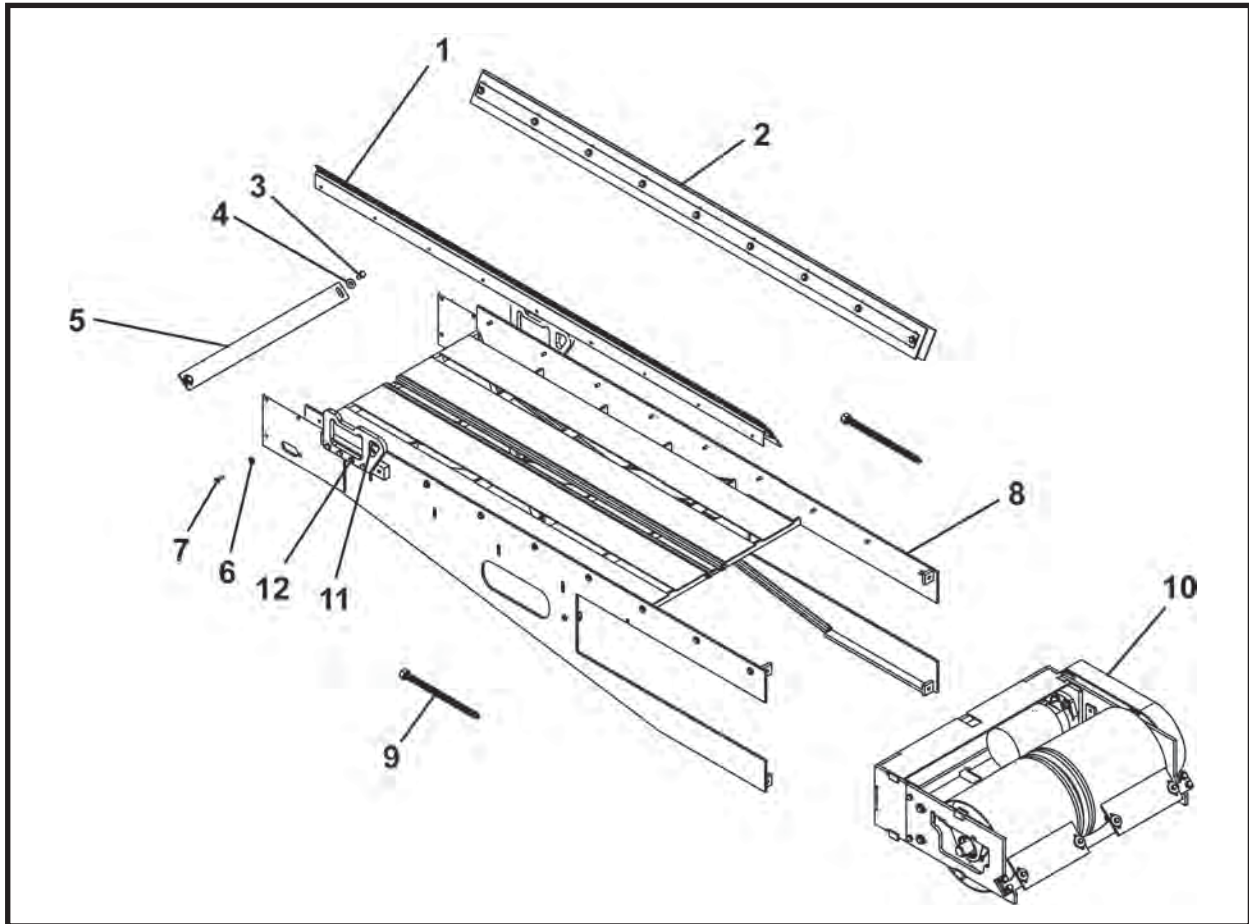
ITEM	QTY	PART NO.	DESCRIPTION
0	1	027462A	ASSEMBLY, Spoils Guide - Right
1	1	027468P	BRACKET, Wear Strip
2	1	027216P00	TAB, Feed Frame Support Bar
3	1	027467P	GUIDE, Wear Strip
4	1	027463P	SUPPORT BAR
5	1	027464P	HINGE, Spoils Guide
6	8	P0045-004	WASHER, Lock 1/4
7	8	P0001-04-003	BOLT, Hex 1/4 UNC x .75
8	16	P0011-004C	NUT, Strut Square 1/4

IDLER ROLLER ASSEMBLY, 027311A00
2415 - 2418 CONVEYORS



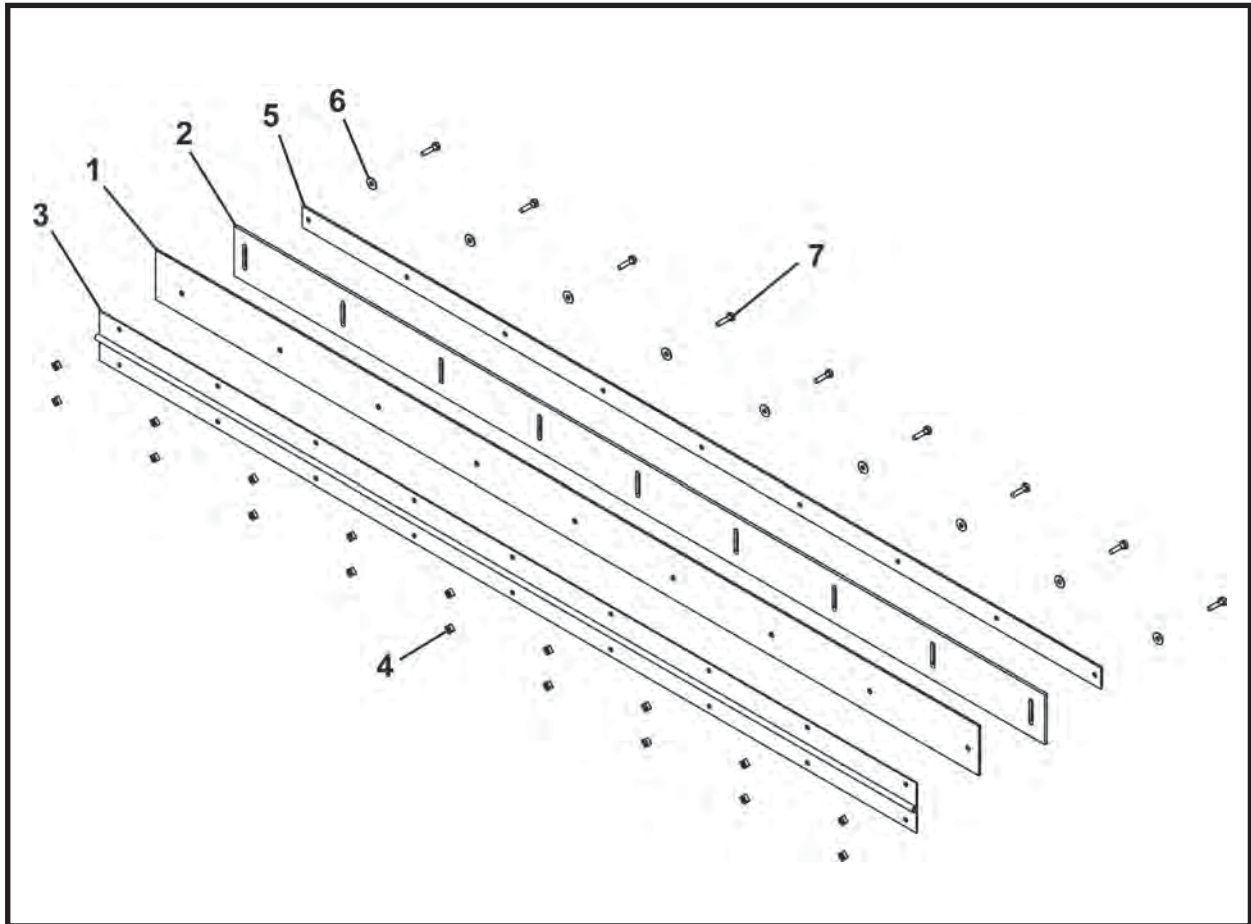
ITEM	QTY	PART NO.	DESCRIPTION
0	1	027311A00	ASSEMBLY, Idler Roller
1	2	007645P00	ROLLER, Conveyor Idler
2	1	007646P00	SHAFT, Conveyor Idler
3	4	P0065-007	BEARING
4	2	001341A00	BOLT, 3/8 UNC x 1-1/4 With Grease Fitting (Includes item 4a)
4a	2	P0063-001	FITTING, Grease
5	2	P0040-006	WASHER, Flat 3/8
6	2	P0045-006	WASHER, Lock 3/8

DRIVE FRAME ASSEMBLY, 027425A
2415 & 2418 CONVEYORS



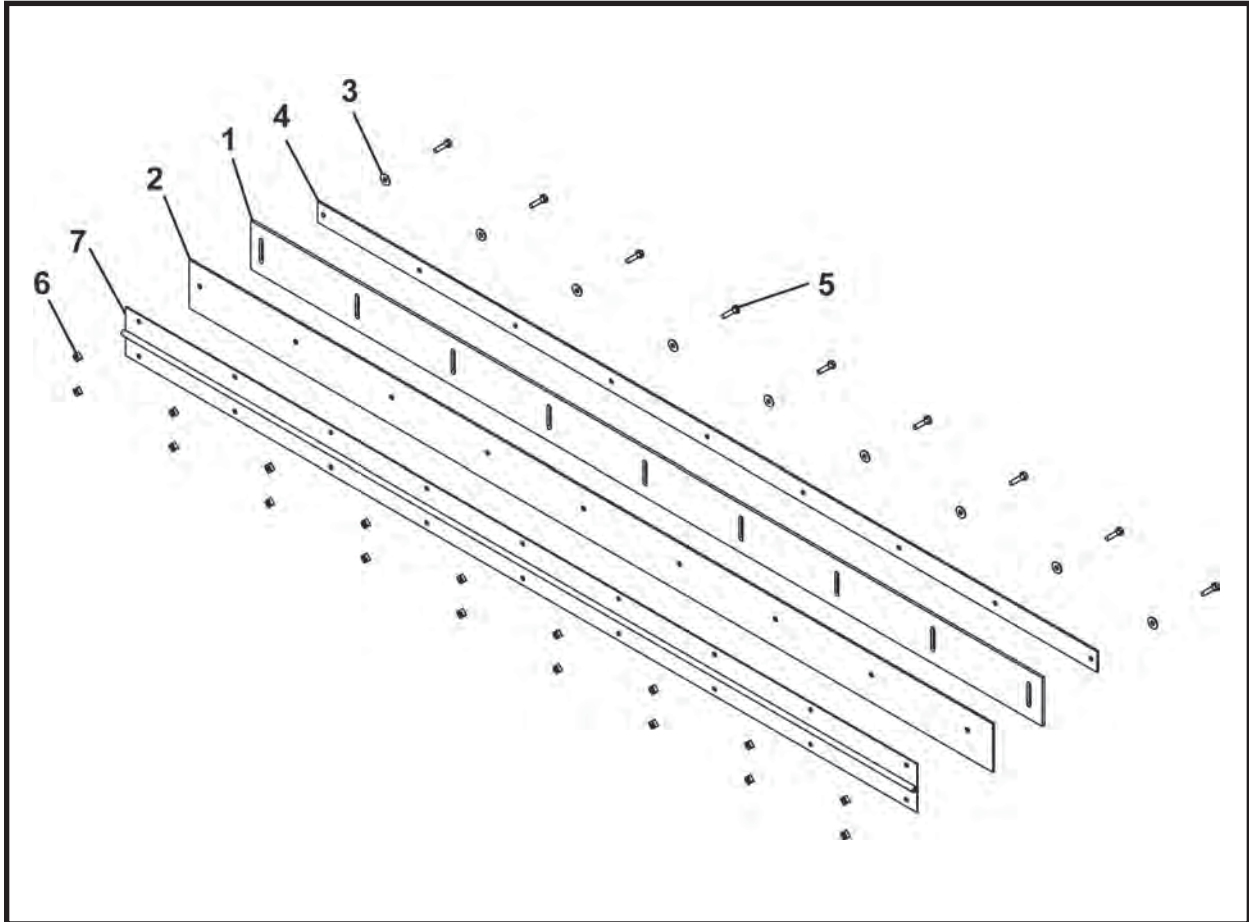
ITEM	QTY	PART NO.	DESCRIPTION
0	1	027425A	DRIVE FRAME ASSEMBLY
1	1	027131A00	ASSEMBLY, Drive Frame Spoils Guide - Left
2	1	027219A00	ASSEMBLY, Drive Frame Spoils Guide - Right
3	2	P0001-06-003	BOLT, 3/8 UNC x .75
4	2	P0045-006	WASHER, Lock 3/8
5	1	027345P00	PLATE, Idler Roller Scraper
6	18	P0045-004	WASHER, Lock 1/4
7	18	P0001-04-003	BOLT, 1/4 UNC x .75
8	1	027451A	WELDMENT, Drive Frame (Includes items 8a-8c)
8a	6	P0011-006A	NUT, Strut Square 3/8
8c	2	P0063-001	FITTING, Grease 1/4
9	2	002824A01	WELDMENT, Adjusting Screw
10	1	027420A	ASSEMBLY, Drive Motor Frame
11	2	P0040-006	WASHER, Hardened Flat 3/8
12	2	025344P	LIFT EYE
13	8	P0001-06-005	BOLT, 3/8 UNC x 1.25

DRIVE FRAME SPOILS GUIDE ASSEMBLY - LEFT, 027131A00
2415 & 2418 CONVEYORS



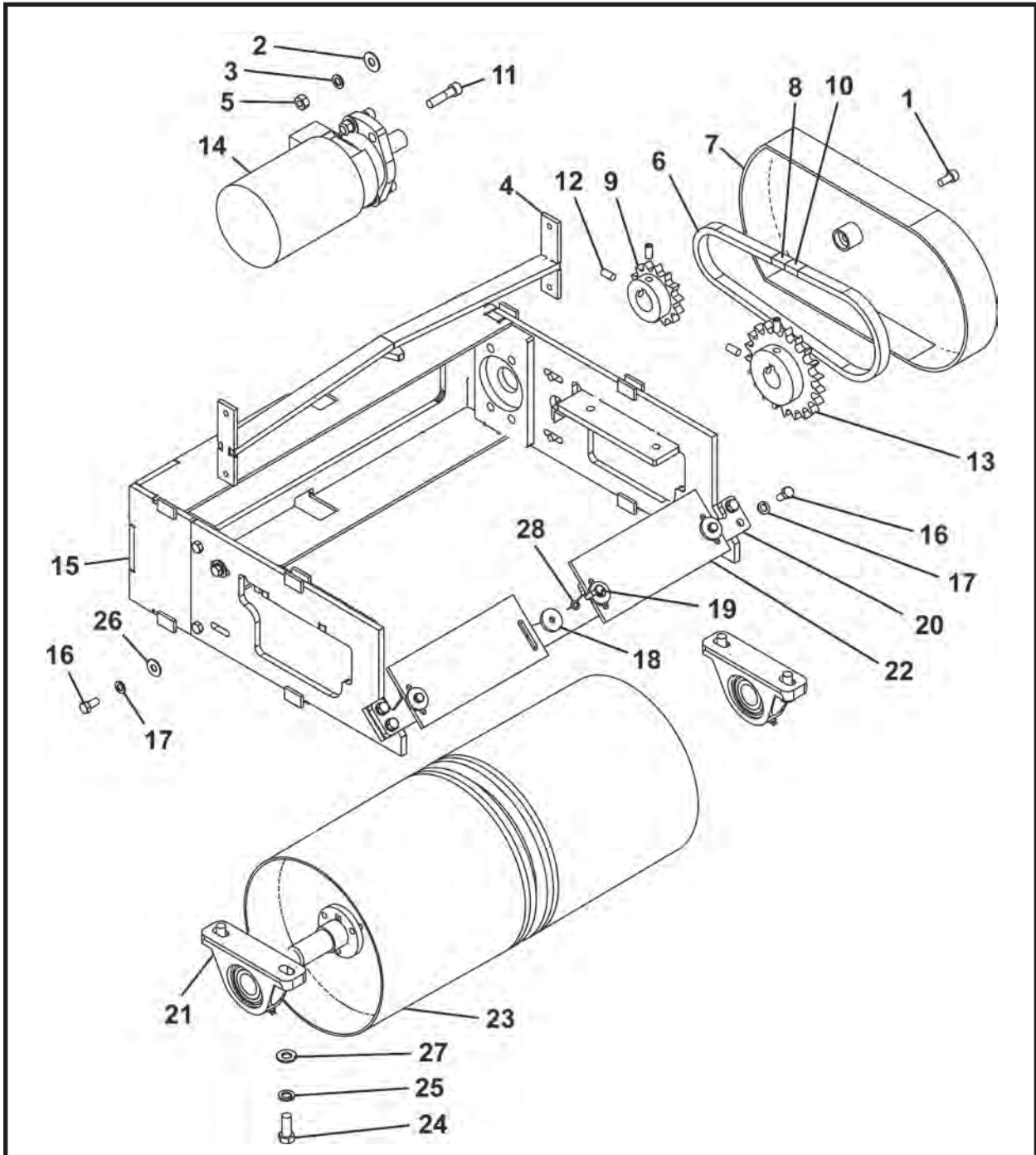
ITEM	QTY	PART NO.	DESCRIPTION
0	1	027131A00	DRIVE FRAME SPOILS GUIDE - Left
1	1	027218P00	SUPPORT BAR, Drive Frame Spoils
2	1	027133P00	STRIP, Feed Frame Spoils Wear
3	1	027132P00	HINGE, Drive Frame Spoils Guide
4	18	P0011-004B	NUT, Weld 1/4 UNC
5	1	027247P00	BRACKET, Drive Frame Wear Strip
6	9	P0040-004	WASHER, Hardened Flat 1/4
7	9	P0001-04-003	BOLT, 1/4 UNC x .75

DRIVE FRAME SPOILS GUIDE ASSEMBLY - RIGHT, 027219A00
2415 & 2418 CONVEYORS



ITEM	QTY	PART NO.	DESCRIPTION
0	1	027219A00	DRIVE FRAME SPOILS GUIDE ASSEMBLY - RIGHT
1	1	027133P00	STRIP, Drive Frame Spoils Wear
2	1	027218P00	SUPPORT BAR, Drive Frame Spoils
3	9	P0040-004	BOLT, 1/4 UNC x .75
4	1	027247P00	BRACKET, Drive Frame Wear Strip
5	9	P0001-04-003	WASHER, Lock 1/4
6	18	P0011-004B	NUT, Weld 1/4 UNC
7	1	027132P00	HINGE, Drive Frame Spoils Guide

DRIVE MOTOR & ROLLER ASSEMBLY, 027420A
2415 & 2418 CONVEYORS



ITEM	QTY	PART NO.	DESCRIPTION
0	1	027420A	DRIVE MOTOR & ROLLER ASSEMBLY
1	1	P0031-06-003	SCREW, Socket Head Cap 3/8 UNC x .75
2	4	P0040-007	WASHER, Flat 7/16
3	4	P0045-007	WASHER, Lock 7/16
4	1	027306A00	SCRAPER, Internal Drive Roller
5	4	P0003-07-000	NUT, 7/16 UNC
6*	36 LI	P0078-002	CHAIN, Roller #60 x 35
7	1	027470A	COVER, Conveyor Chain
8	1	P0078-008	LINK, Connect #60
9	1	027374P	SPROCKET, Drive 14 Teeth

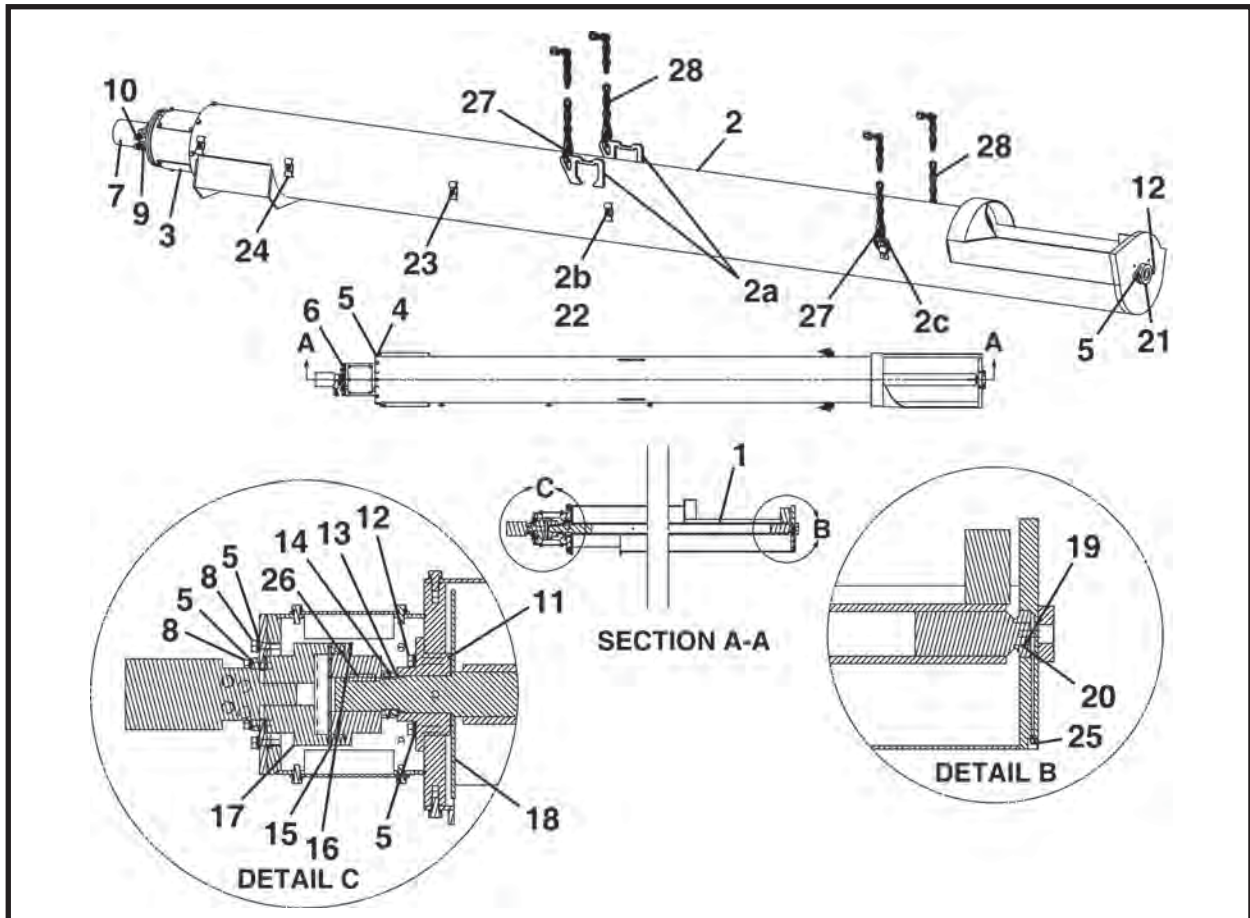
DRIVE MOTOR & ROLLER ASSEMBLY, 027420A
2415 & 2418 CONVEYORS

ITEM	QTY	PART NO.	DESCRIPTION
10	1	P0078-005	LINK, Repair #60
11	4	P0001-07-007	SCREW, Socket Head Cap 7/16 UNC x 1.75
12	4	P0033-06-012	SCREW, Socket Head Set 3/8 UNC x .5
13	1	027369P	SPROCKET, Drive 21 Teeth
14	1	P0304-157	MOTOR
15	1	027415A	WELDMENT, Drive Motor Frame (Includes item 15a)
15a	2	P0001-06-003	BOLT, 3/8 UNC x .75
16	10	P0001-06-003	BOLT, 3/8 UNC x .75
17	8	P0045-006	WASHER, Lock 3/8
18	4	002624P00	WASHER, Dirt Paddle
19	4	P0001-04-005	BOLT, 1/4 UNC x 1.25
20	1	027333P00	MOUNT, External Scraper
21	2	P0065-016	BEARING
22	2	027335P00	SCRAPER, External Belt
23	1	027465A	ROLLER, Drive
24	4	P0001-08-005	BOLT, 1/2 UNC x 1.25
25	4	P0045-008	WASHER, Lock 1/2
26	4	P0040-006	WASHER, Flat 3/8
27	4	P0040-008	WASHER, Hardened Flat 1/2
28	4	P0045-004	WASHER, Lock 1/4

* May need to remove one link for proper fit.

LI - Linear Inch

140 SCREW CONVEYOR, F24500F00



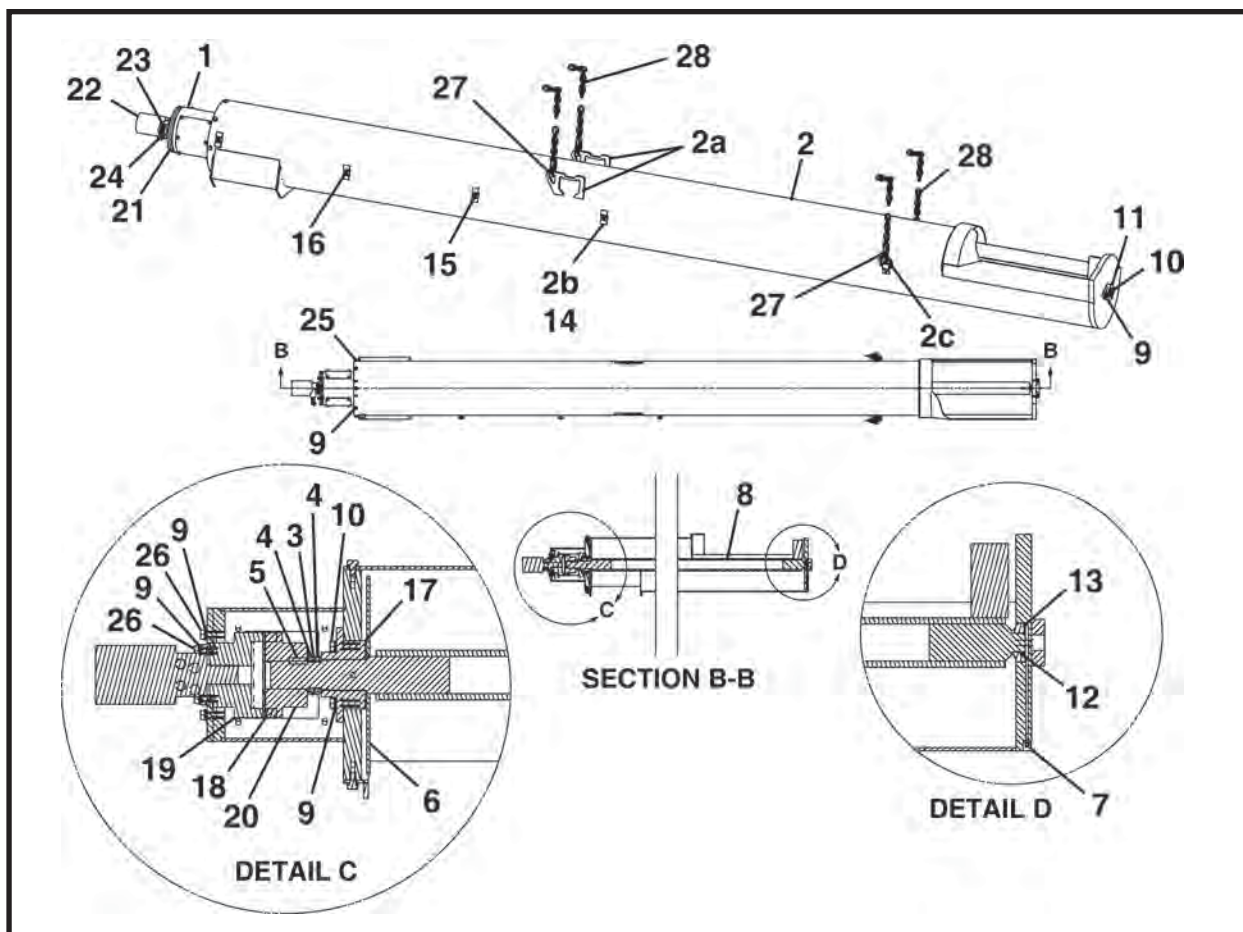
ITEM	QTY	PART NO.	DESCRIPTION
0	1	F24500F00	CONVEYOR, Screw, 140
1	1	024501A00	WELDMENT, 14" Screw
2	1	024503A00	WELDMENT, 14" Pipe (Includes items 2a-2c)
2a	2	023524P00	BRACKET, Conveyor
2b	4	P0001-05-003	BOLT, 5/16 UNC x .75
2c	2	P0079-003	D-RING 1/2
3	1	024502A00	WELDMENT, Motor Adaptor
4	8	P0001-08-004	BOLT, 1/2 UNC x 1
5	24	P0045-008	WASHER, Lock 1/2
6	1	009893P00	PLATE, Mounting
7	1	P0304-145	MOTOR, Hydraulic
8	8	P0001-08-006	BOLT, 1/2 UNC x 1.5
9	2	P0300-167	FITTING, 10MB-08FP
10	2	P0300-173	FITTING, 08MP-08PX45
11	1	P0065-107	BEARING
12	6	P0001-08-008	BOLT, Hex 1/2-13 x 2
13	2	P0065-108	NUT, Lock
14	1	P0065-109	WASHER, Lock
15	1	P0305-134C	INSERT, Coupler
16	1	P0305-134A	COUPLER, Keyway
17	1	P0305-134B	COUPLER, Spline
18	1	024559P	WASHER, Conveyor Flighting
19	1	P0065-004	BEARING

140 SCREW CONVEYOR, F24500F00

ITEM	QTY	PART NO.	DESCRIPTION
20	1	P0085-028	O-RING
21	1	P0065-017	BEARING, Pivot
22	4	P0004-05-000	NUT, 5/16
23	4	P0045-005	WASHER, Lock 5/16
24	4	002269P01	CLAMP, Line
25	1	P0063-001	FITTING, Grease 1/4
26	1	P0047-007	KEY
27	4	P0098-010	LINK, 3/8
28	4	P0094-003-030	CHAIN, 3/8 x 30
29*	2	A10320A0-200	HOSE ASSEMBLY, 1/2 x 200
30*	1	P0100-004A	COUPLER, Quick 1/2 Female
31*	1	P0100-004B	COUPLER, Quick 1/2 Male

* Not Shown

160 SCREW CONVEYOR, F09885F00

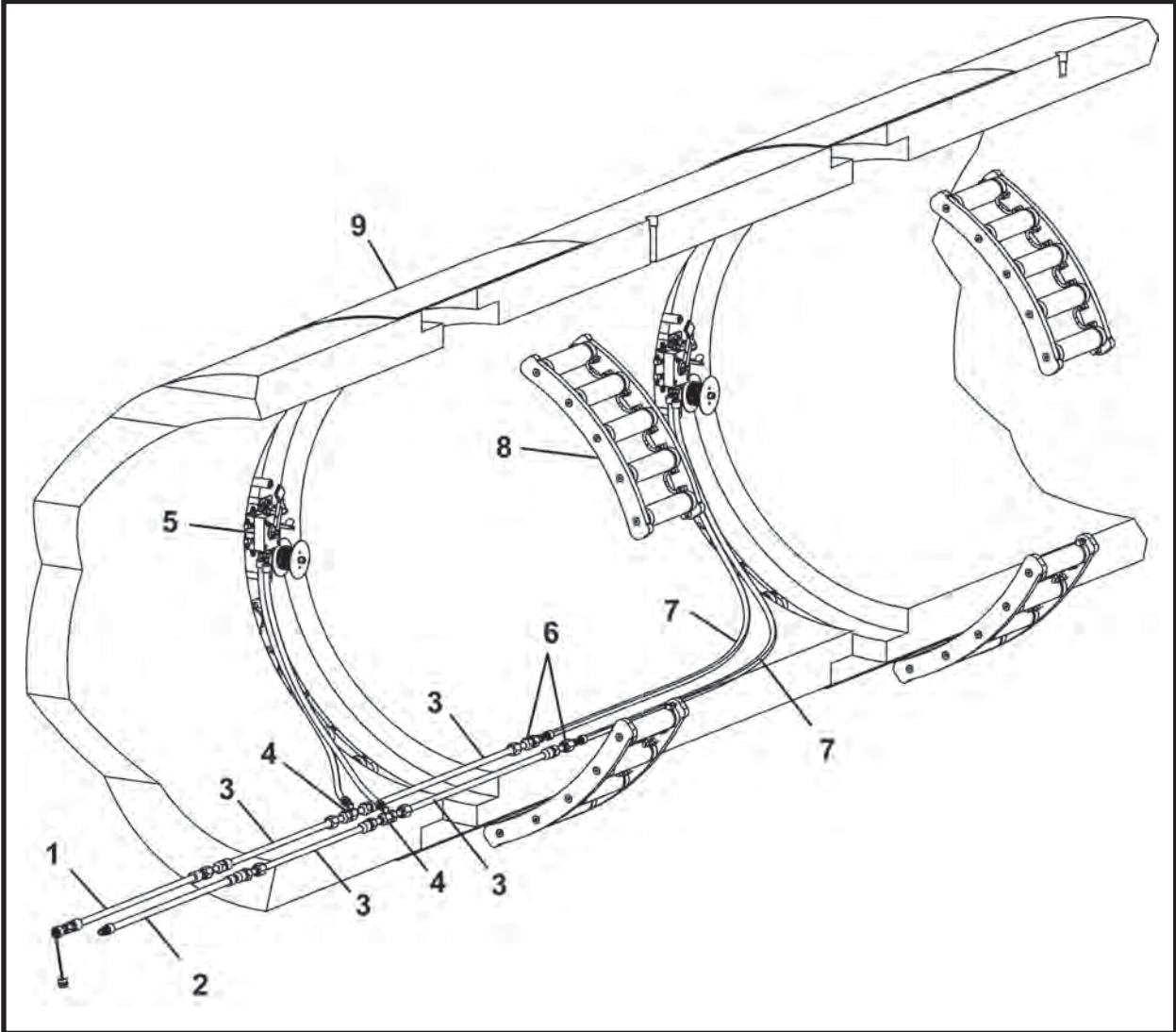


ITEM	QTY	PART NO.	DESCRIPTION
0	1	F09885F00	CONVEYOR, Screw, 160
1	1	009883A00	WELDMENT, Motor Adaptor
2	1	009881A00	WELDMENT, 16" Pipe (Includes items 2a-2c)
2a	2	023524P00	BRACKET, Conveyor
2b	4	P0001-05-003	BOLT, Hex 5/16 UNC x .75
2c	2	P0079-003	D-RING 1/2
3	1	P0065-109	WASHER, Lock
4	2	P0065-108	NUT, Lock
5	1	P0047-007	KEY
6	1	009874P	WASHER, Conveyor Flighting
7	1	P0063-001	FITTING, Grease 1/4
8	1	009882A00	WELDMENT, 16" Screw
9	22	P0045-008	WASHER, Lock 1/2
10	6	P0001-08-008	BOLT, Hex 1/2-13 x 2
11	1	P0065-017	BEARING, Pivot End
12	1	P0085-028	O-RING
13	1	P0065-004	BEARING
14	4	002269P01	CLAMP, Line
15	4	P0045-005	WASHER, Lock 5/16
16	4	P0004-05-000	NUT, 5/16
17	1	P0065-107	BEARING
18	1	P0305-134C	INSERT, Coupler
19	1	P0305-134B	COUPLER, Spline

160 SCREW CONVEYOR, F09885F00

ITEM	QTY	PART NO.	DESCRIPTION
20	1	P0305-134A	COUPLER, Keyway
21	1	009893P00	PLATE, Mounting
22	1	P0304-145	MOTOR, Hydraulic
23	2	P0300-167	FITTING, 10MB-08FP
24	2	P0300-173	SWIVEL, 1/2 Male, 45 Degree
25	8	P0001-08-004	BOLT, 1/2 UNC x 1
26	8	P0001-08-006	BOLT, 1/2 UNC x 1.5
27	4	P0098-010	LINK, 3/8
28	4	P0094-003-030	CHAIN, 3/8 x 30
29	2	A10320A0-200	HOSE ASSEMBLY, 1/2 x 200
30	1	P0100-004A	COUPLER, Quick 1/2 Female
31	1	P0100-004B	COUPLER, Quick 1/2 Male

INTERMEDIATE JACKING STATION



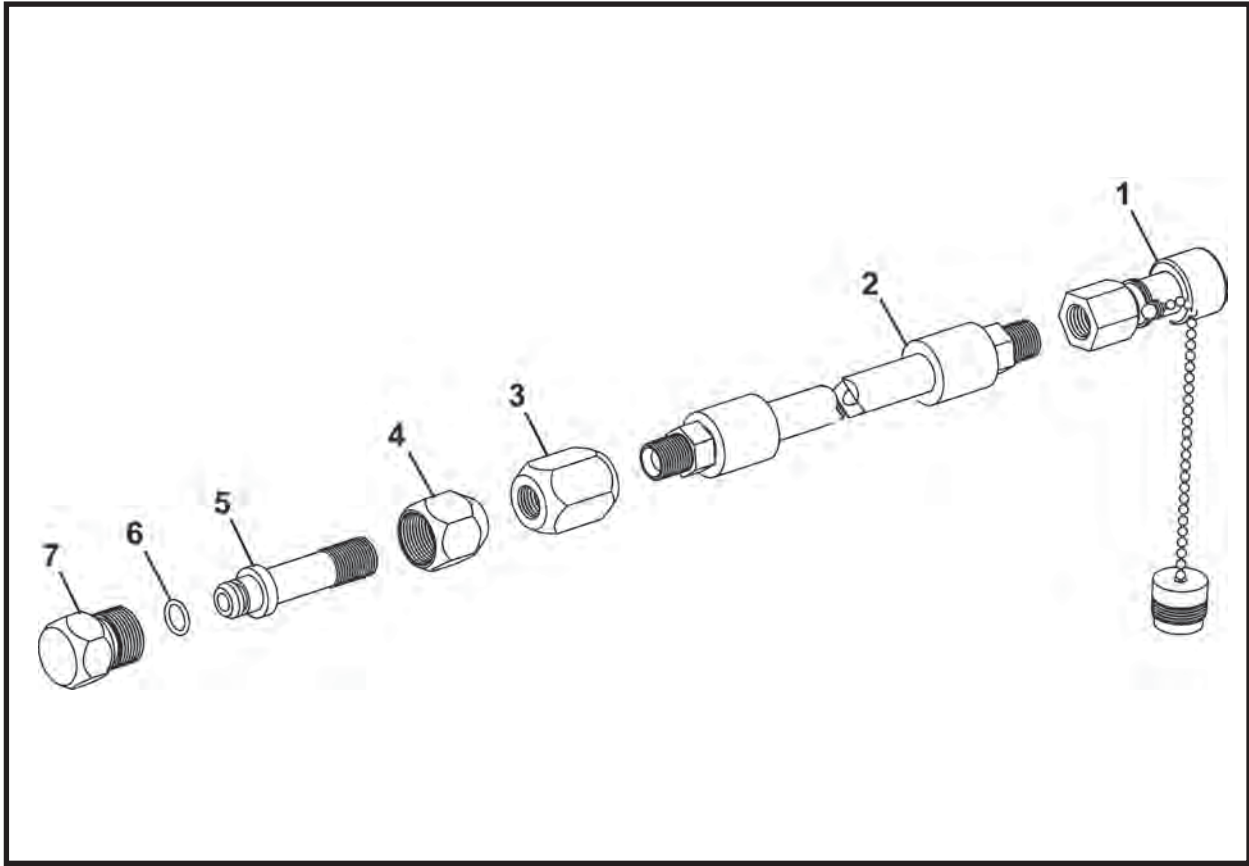
ITEM	QTY	PART NO.	DESCRIPTION
1*	1	F09802F01	STARTER HOSE, High Pressure 30'
2*	1	F09803F01	STARTER HOSE, Low Pressure 30'
3*	AR	F09800F00	TUNNEL LINE
4*	AR	F09804F00	TEE CONNECT
5*	AR	F04908F01	VALVE, IJS (With Cable)
6*	1	F09805F00	STARTER CONNECTION
7	2	A10311-xxx	HOSE ASSEMBLY, 3/8 JIC
8.1*	6	007302A00	IJS SEGMENT ASSEMBLY - 600
8.2*	7	007303A00	IJS SEGMENT ASSEMBLY - 660
8.3*	8	007304A00	IJS SEGMENT ASSEMBLY - 720
9**	AR	-	IJS HOUSING

AR - As Required (Per Job)

* Refer to this section for parts information.

** Contact your Akkerman Sales Representative for information regarding IJS housings.

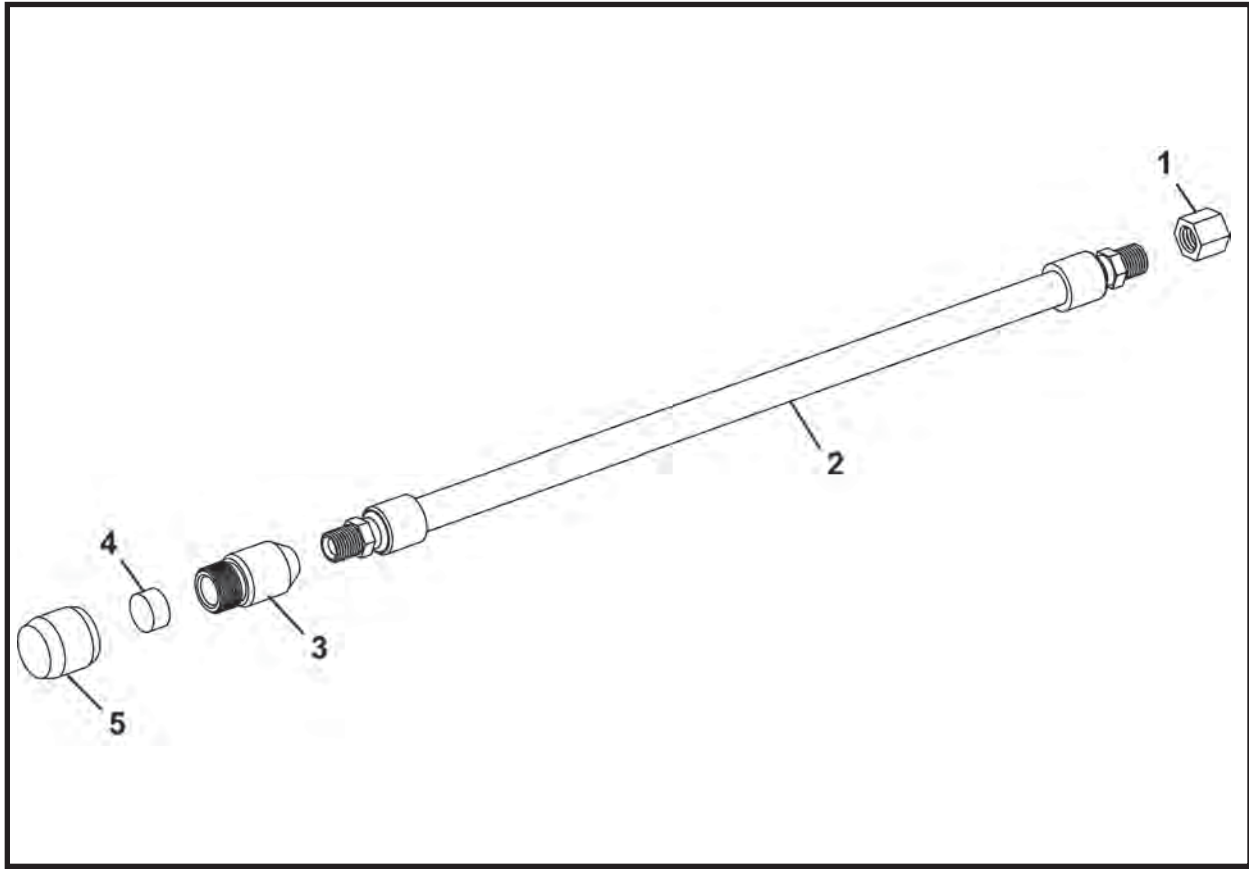
STARTER HOSE, HIGH PRESSURE 30', F09802F01



ITEM	QTY	PART NO.	DESCRIPTION
0	1	F09802F01	HOSE, High Pressure Starter 30'
1	1	P0100-001B	COUPLER, Male
2	1	A10420A-360	HOSE ASSEMBLY, 1/2 x 360
3*	1	009812P01	COUPLER, Hi-Pressure 1/2 NPT
4*	1	005135P00	COUPLER, 1/2
5*	1	005134P00	COUPLER, Male 1/2
6*	1	P0085-113	ORING
7*	1	009808P00	CAP, Female

* Included in IJS Coupler Assembly, 005133A02. Refer to this section for parts information.

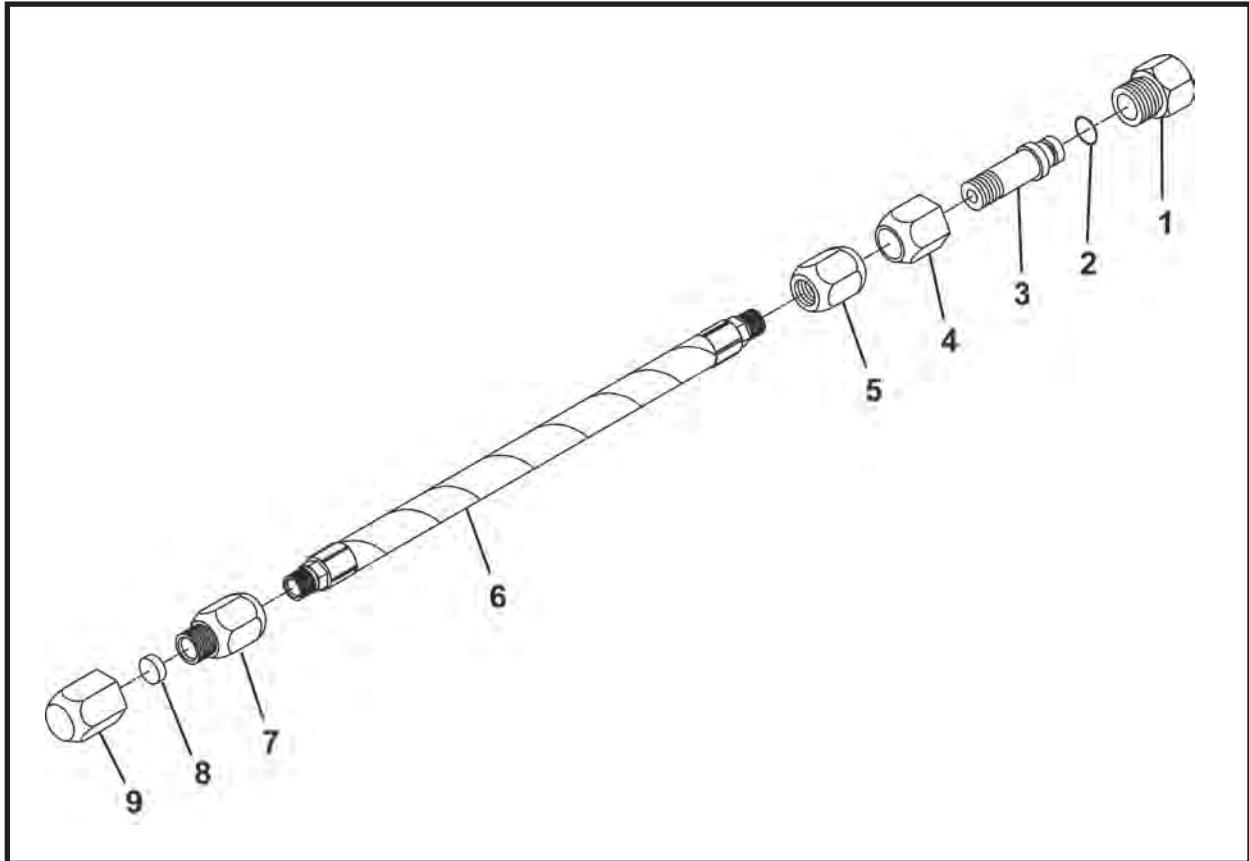
STARTER (RETURN) HOSE, LOW PRESSURE 30', F09803F01



ITEM	QTY	PART NO.	DESCRIPTION
0	1	F09803F01	HOSE, Low Pressure Starter (Return) 30'
1	1	P0417-003	CAP, Hex Pipe 1/2
2	1	A10320A-360	HOSE ASSEMBLY, 1/2 x 360
3*	1	009809P00	COUPLER, Female 1/2
4*	1	007085P00	PLUG, Coupler 1 OD
5*	1	009811P01	CAP, Male

* Included in IJS Coupler Assembly, 005133A02. Refer to this section for parts information.

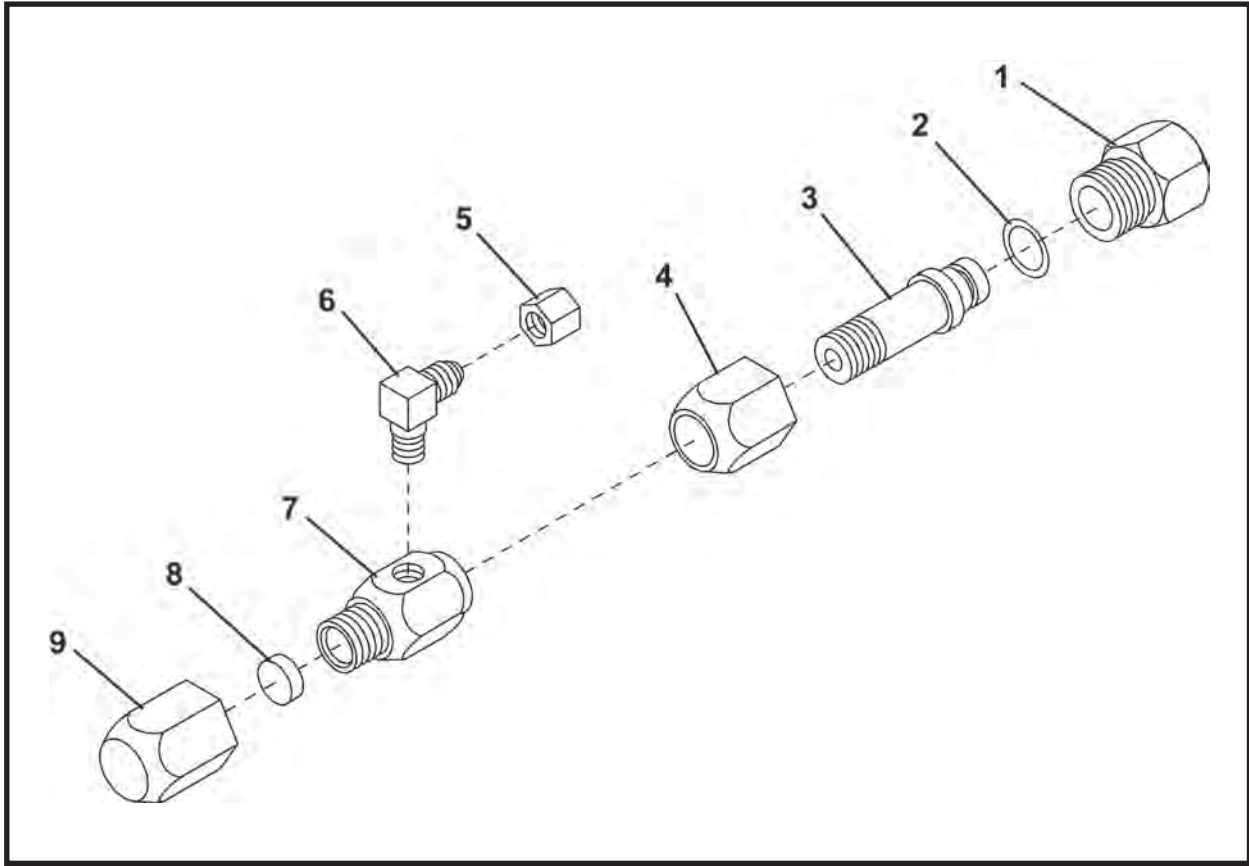
IJS TUNNEL LINE 10' 6", F09800F00



ITEM	QTY	PART NO.	DESCRIPTION
0	1	F09800F00	IJS TUNNEL LINE 10' 6"
1*	1	009808P00	CAP, Female
2*	1	P0085-113	ORING
3*	1	005134P00	COUPLER, Male
4*	1	005135P00	COUPLER
5*	1	009812P01	COUPLER, High Pressure
6	1	009806P00	PIPE
7*	1	009809P00	COUPLER, Female
8*	1	007085P00	PLUG, Coupler
9*	1	009811P01	CAP, Male

* Included in IJS Coupler Assembly, 005133A02. Refer to this section for parts information.

TEE CONNECTOR, F09804F00



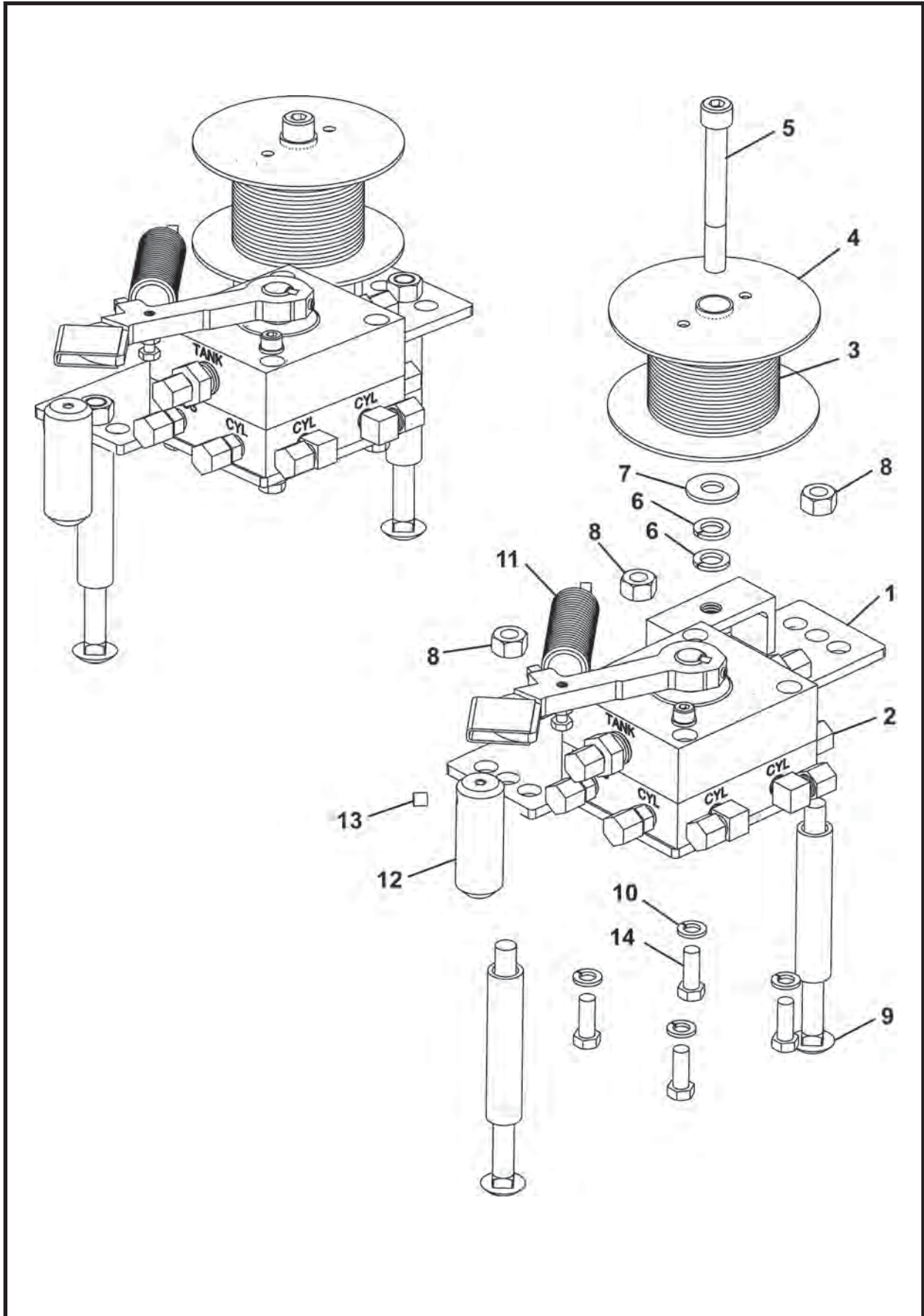
ITEM	QTY	PART NO.	DESCRIPTION
0	1	F09804F00	TEE CONNECTOR
1*	1	009808P00	CAP, Female
2*	1	P0085-113	ORING
3*	1	005134P00	COUPLER, Male
4*	1	005135P00	COUPLER, 1/2
5	1	P0300-126	CAP, 06FJ
6	1	P0300-125	FITTING, 06MJ-04MP90
7	1	009810P00	COUPLER, Female
8*	1	007085P00	PLUG, Coupler Cap
9*	1	009811P01	CAP, Male

NOTE: Two connectors required per jack station.

* Included in IJS Coupler Assembly, 005133A02. Refer to this section for parts information.

NOTES

IJS VALVE (With Cable), F04908F01

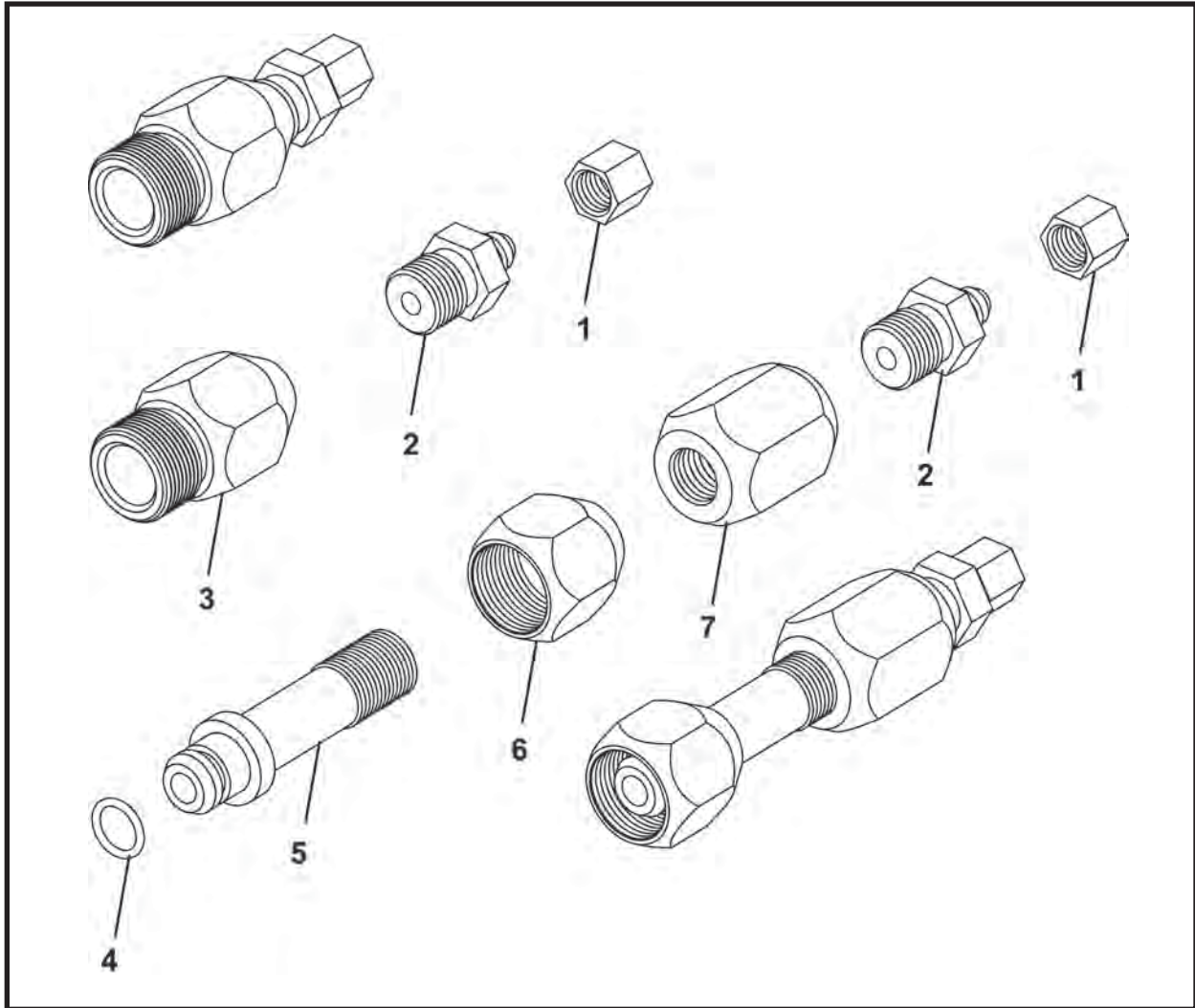


IJS VALVE (With Cable), F04908F01

ITEM	QTY	PART NO.	DESCRIPTION
0	1	F04908F01	IJS VALVE (With Cable)
1	1	005764A00	PLATE ASSEMBLY
2	1	004725A00	VALVE
3	7200 LI	P0075-001	CABLE
4	1	002373A00	SPOOL ASSEMBLY
5	1	P0031-08-016	SCREW, Socket Head Cap 1/2 UNC x 4
6	2	P0043-008	WASHER, Spring 1/2
7	1	P0040-008	WASHER, Hardened Flat 1/2
8	3	P0003-08-000	NUT, 1/2 UNC
9	2	P0026-011	BOLT, Carriage 1/2 x 6.5
10	4	P0045-006	WASHER, Lock 3/8
11	1	P0070-031	SPRING
12	1	001335P00	WEIGHT, Valve
13	1	P0033-05-004	SCREW, Socket Set 5/16 x .25
14	4	P0001-06-004	BOLT, 3/8 UNC x 1

LI - Linear Inch

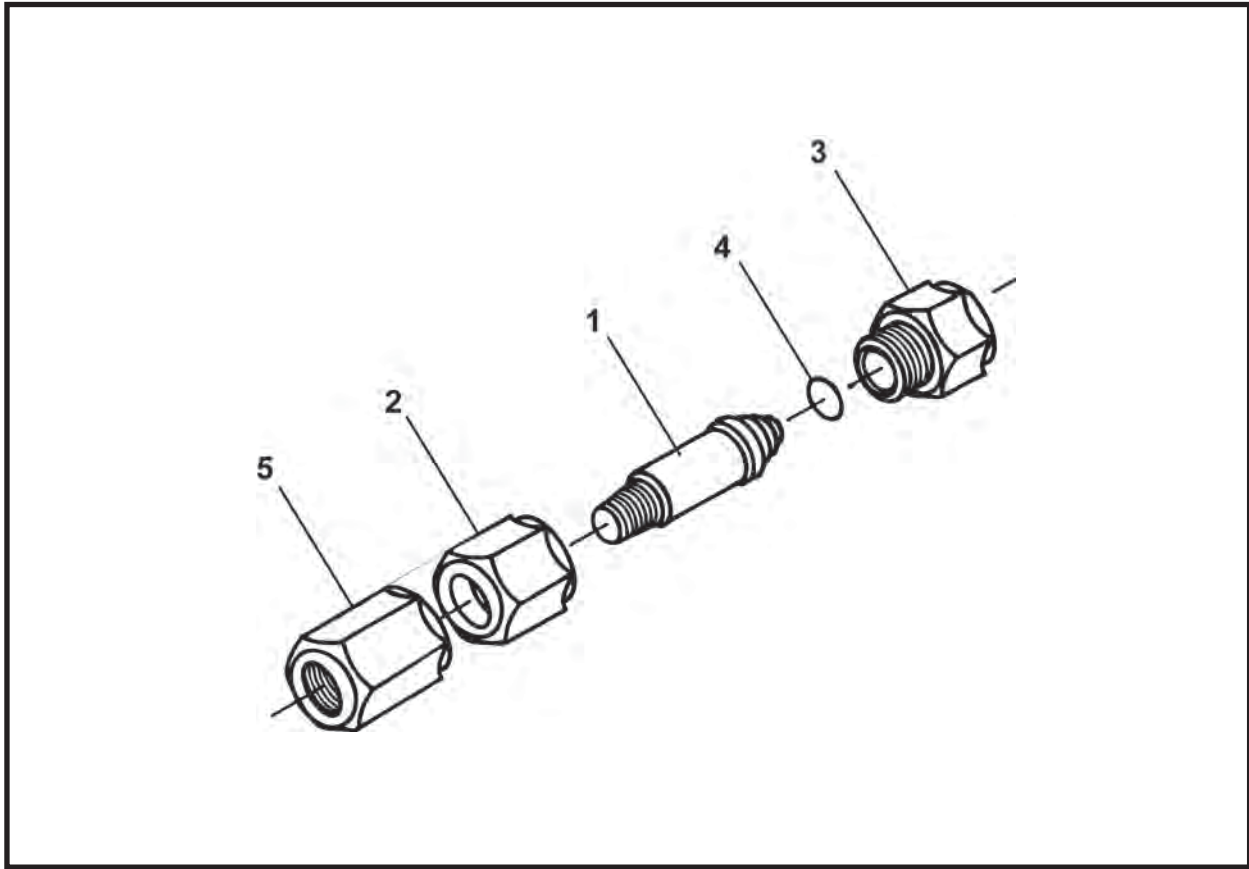
IJS STARTER CONNECTION, F09805F00



ITEM	QTY	PART NO.	DESCRIPTION
0	1	F09805F00	STARTER CONNECTION
1	2	P0300-126	CAP, 06FJ
2	2	P0300-120	FITTING, 06MJ-08MP
3*	1	009809P00	COUPLER, Female
4*	1	P0085-113	ORING
5*	1	005134P00	COUPLER, Male
6*	1	005135P00	COUPLER
7*	1	009812P01	COUPLER, High Pressure

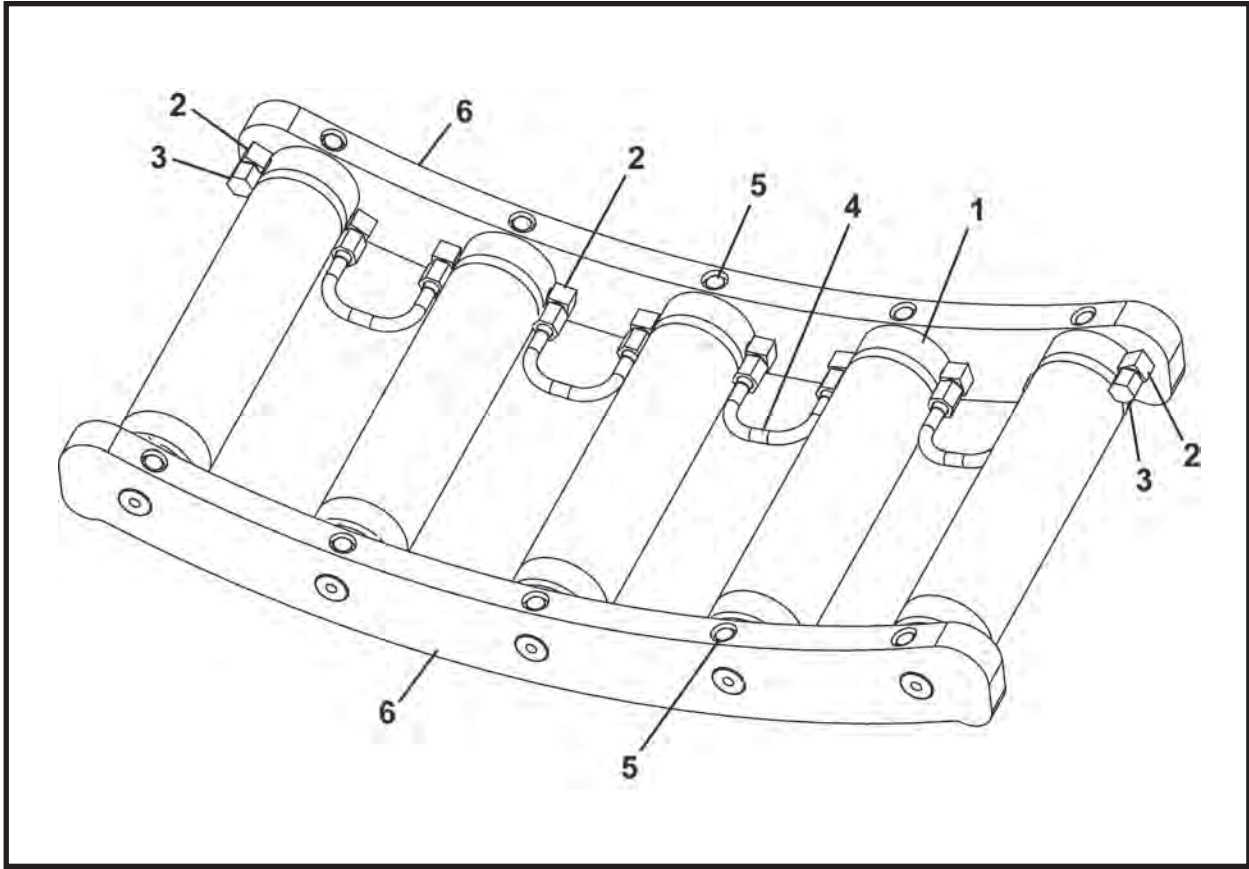
* Included in IJS Coupler Assembly, 005133A02. Refer to this section for parts information.

IJS COUPLER ASSEMBLY, 005133A02



ITEM	QTY	PART NO.	DESCRIPTION
0	1	005133A02	IJS COUPLER ASSEMBLY
1	1	005134P00	COUPLER, Male
2	1	005135P00	COUPLER
3	1	009809P00	COUPLER, Female
4	1	P0085-113	ORING
5	1	009812P01	COUPLER, High Pressure
6	1	009808P00	CAP, Female
7	1	007085P00	PLUG, Coupler
8	1	009811P01	CAP, Male

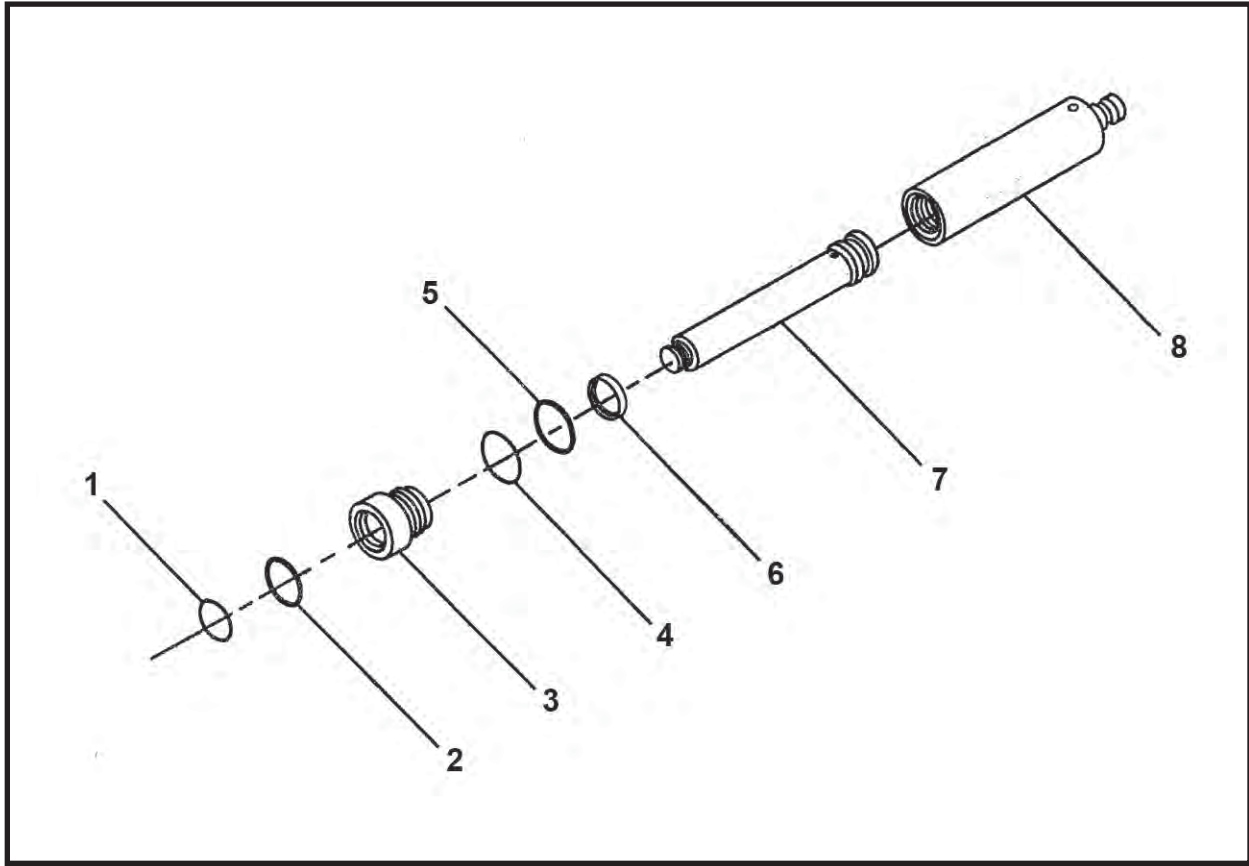
IJS SEGMENT ASSEMBLY



ITEM	QTY	PART NO.	DESCRIPTION
0.1	1	007302A00	IJS SEGMENT ASSEMBLY - 600
0.2	1	007303A00	IJS SEGMENT ASSEMBLY - 660
0.3	1	007304A00	IJS SEGMENT ASSEMBLY - 720
1*	5	F03531F02	CYLINDER, IJS
2	10	P0300-125	FITTING, 04MP-06MJ
3	2	P0300-126	CAP
4	4	001907A00	TUBE
5	10	P0001-05-003	BOLT, 5/16 UNC x .75
6.1	2	F03834F00	END IRONS, Plate - 600
6.2	2	F05487F00	END IRONS, Plate - 660
6.3	2	F07296F00	END IRONS, Plate - 720

* Refer to this section for parts information.

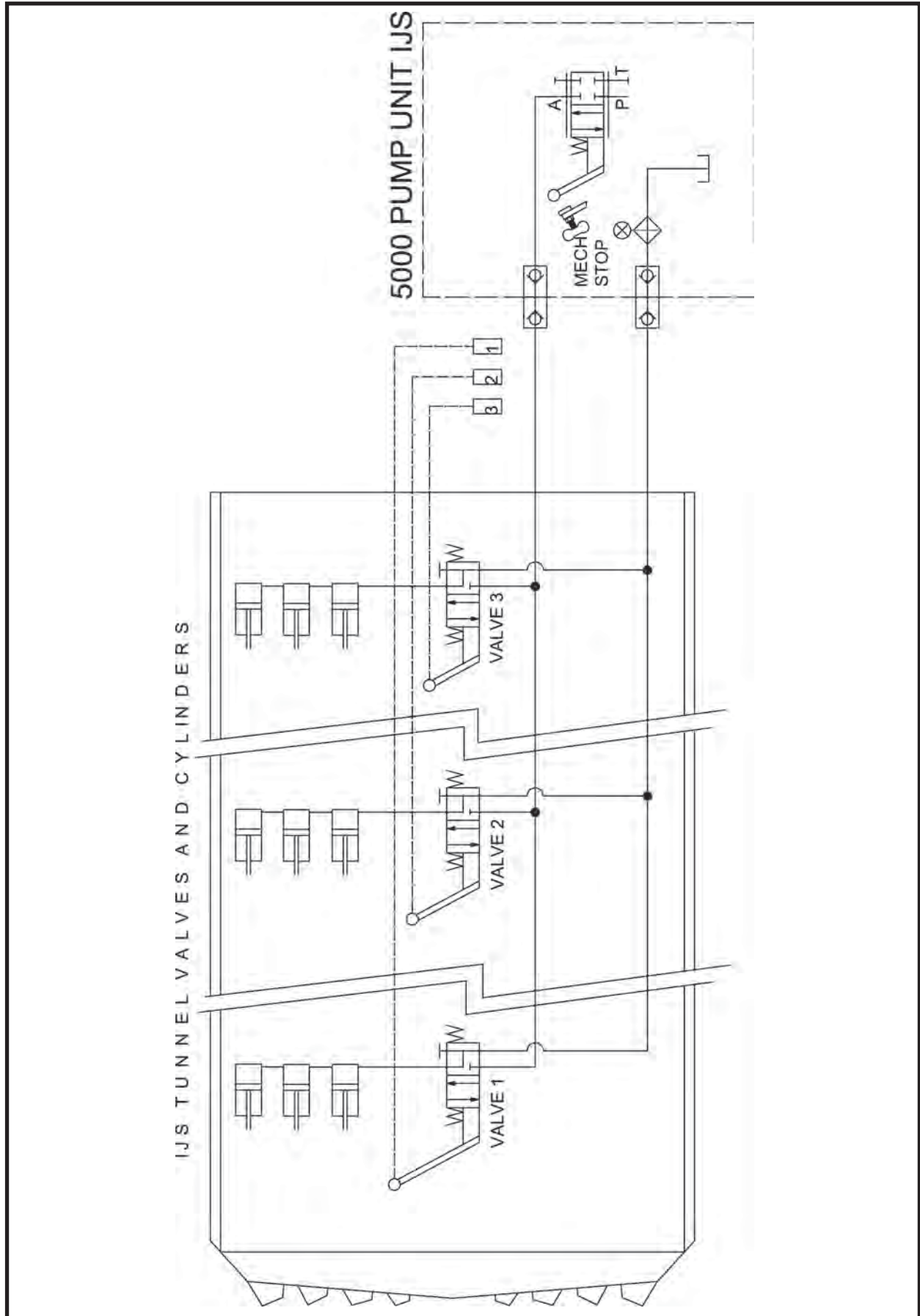
IJS CYLINDER, F03531F02



ITEM	QTY	PART NO.	DESCRIPTION
0	1	F03531F02	CYLINDER, IJS
1*	1	P0087-001	WIPER
2*	1	P0086-003	POLYSEAL
3	1	003095P02	CAP, End
4*	1	P0084-139	RING, Back-Up
5*	1	P0085-139	ORING
6*	1	P0088-002	RING, Wear
7	1	003348P02	SHAFT
8	1	003364A01	BARREL
9	REF	007344A00	KIT, Seal

* Included in item 9, 007344A00 Seal Kit.

INTERMEDIATE JACKING STATION HYDRAULIC SCHEMATIC





Alphabetical Index

A

Advance assembly,	
Heavy duty drum	3-18
Standard duty drum	3-18
Advance for motor assembly,	
Heavy duty, drum	3-24
Standard duty, drum	3-24

B

Bar assembly, quad	3-46
Bearing assembly, drum roller	3-14
Bell end ring assembly	3-41
Belt conveyor decals	2-4
Belt conveyors	11-2
Bulkhead seal & door assembly	3-8, 3-9

C

Cable assembly	3-30
Challenge kit, gas	5-6
Clamp assembly, hose	6-74
Closed face assembly,	
New style 600 - 780	3-60
Old style 600 - 720	3-47
Old style 780	3-54
Closed face control assembly,	
Old style 600	6-8
Old style 660 - 780	6-10
Closed face cylinder assembly	
New style 600 - 660	10-16
New style 720 - 780	10-17
Old style 600	10-12
Old style 660	10-13
Old style 720 - 780	10-14
Closed face mounting & weldment assembly,	
Old style 600 - 720	3-48
Closed face rotary hub hydraulic assembly	
New style 600 - 660	6-76
New style 720 - 780	6-78
Closed face weldment assembly,	
Old style 600 - 720	3-50

C (continued)

Connection, ijs starter	11-34
Connector, tee	11-30
Contents	iii
Control assembly, closed face	
Old style 600	6-8
Old style 660 - 780	6-10
Control hydraulics, speed	
600 **	6-30
660 - 720 - 780 **	6-32
Control linkage, hydraulic	
600 **	6-66
660 **	6-68
720 **	6-70
780 **	6-72
Controls, operator	4-1, 4-2, 4-3
Control valve assembly 600 - 780 **	6-64
Control valve, conveyor drive 600 - 780 *	7-6
Control valve, inner drum motor	7-2
Control valve, tbm	7-4
Conveyor control valve 600 - 780 *	7-8
Conveyor drive control valve 600 - 780 *	7-6
Conveyor drive frame assembly	11-17
Conveyor drive frame guide assembly - left ..	11-18
Conveyor drive motor	8-4, 8-6
Conveyor drive motor & roller assembly	11-20
Conveyor drive motor, screw	8-5
Conveyor drive valve 600 - 780 **	7-7
Conveyor extension frame assembly 2418 ...	11-13
Conveyor feed frame assembly	11-4
Conveyor feed frame spoils guide assembly -	
Left front	11-5
Left rear	11-8
Right front	11-6
Right rear	11-9
Conveyor front roller assembly	11-7
Conveyor idler roller assembly	11-16
Conveyor lift assembly	3-28, 3-31
Conveyor lift cylinder 600	10-4, 10-5
Conveyor lift hydraulic motor	8-3

* 600 - SN F19325F00-15 & Before; 660 - SN F04410F00-7 & Before; 720 - SN F20800F00-18 & Before; 780 SN F25000F-3 & Before

** 600 - SN F19325F00-16 & After; 660 - SN F04410F00-8 & After; 720 - SN F20800F00-19 & After; 780 SN F25000F-4 & After

Alphabetical Index

C (continued)

Conveyor lift hydraulics 600 -780 **	6-34
Conveyors	11-1
Conveyor safety valve hydraulics 600 - 780 **	6-49
Conveyors, belt	11-2
Conveyor, screw 140	11-22
Conveyor, screw 160	11-24
Conveyor short spoils guide assembly -	
Left	11-11
Right	11-12
Conveyor spoils guide assembly -	
Left	11-14
Right	11-15
Conveyor valve hydraulics 600 - 780 **	6-48
Coupler assembly, 1-1/4	6-7
Coupler assembly, ijs	11-35
Cylinder assembly, advance	10-2
Cylinder assembly, closed face	
New style 600 - 660	10-16
New style 720 - 780	10-17
Old style 600	10-12
Old style 660	10-13
Old style 720 - 780	10-14
Cylinder assembly,	
Dirt wing	10-6
Liner can 30" stroke	10-20
Liner can 38" stroke	10-21
Cylinder, conveyor lift 600	10-4, 10-5
Cylinder, ijs	10-19, 11-37
Cylinder & link assembly, steering	3-36, 3-38
Cylinders	10-1
Cylinder, steering	
600 - 660 **	10-9
600 - 660 *	10-8
720 - 780 **	10-11
720 -780 *	10-10

D

Decals	2-1
Belt conveyor	2-4
Head box	2-7
Laser light stand	2-6
Screw conveyor	2-5
Tunnel boring machine	2-3
Detector assembly, gas,	
Gasmax ii	5-4
Zellweger	5-5
Detector schematic, gas	
Gasmax ii	5-7
Zellweger	5-8
Dirt head assembly	3-42
Dirt paddle assembly	3-16

D (continued)

Dirt scoop assembly	3-15
Dirt wing assembly, hydraulic	
Cw	3-33
Ccw	3-34
Dirt wing cylinder assembly	10-6
Dirt wing drum assembly	3-32
Dirt wing hydraulics 600 - 780 **	6-28
Door assembly, bulkhead seal &	3-8, 3-9
Door pilot hardware kit, obstruction	3-57
Drive assembly, front drum &	3-4
Drum advance assembly,	
heavy duty	3-18
standard duty	3-18
Drum advance for motor assembly,	
Heavy duty	3-24
Standard duty	3-24
Drum advance hydraulics 600 **	6-52
Drum advance hydraulics 660 **	6-54
Drum advance hydraulics 720 **	6-56
Drum advance hydraulics 780 **	6-58
Drum assembly, dirt wing	3-32
Drum assembly, inner	3-5
Drum assembly, mid	3-26
Drum & drive assembly, front	3-4
Drum motor assembly option	
720, Inner	3-22
780, Inner	3-23
Drum roller assembly	3-12, 3-13
Drum roller bearing assembly	3-14
Drum weldment, inner	3-6

E

Electrical	5-1
Electrical box assembly	5-9
Electrical box schematic	5-10
Electrical system assembly	5-2
Extension frame assembly	
2415	11-10
2418	11-13
Extension light assembly	5-11

F

Filter assembly **	6-46
Filter assembly *	6-6
Filter assembly hydraulics **	6-44
Final assembly	3-3
Floor assembly	3-40
Flow control valve 600 - 780 **	7-11
Flow control valve 600 - 780 *	7-10
Flow divider hydraulics **	6-42
Flow divider pump	9-2

* 600 - SN F19325F00-15 & Before; 660 - SN F04410F00-7 & Before; 720 - SN F20800F00-18 & Before; 780 SN F25000F-3 & Before

** 600 - SN F19325F00-16 & After; 660 - SN F04410F00-8 & After; 720 - SN F20800F00-19 & After; 780 SN F25000F-4 & After

F (continued)

Front drum & drive assembly 3-4
 Front face assembly,
 Old style 600 - 720 3-51
 New style 600 - 780 3-62
 Front face weldment assembly,
 Old style 780 3-56

G

Gas challenge kit 5-6
 Gas detector assembly,
 Gasmix ii 5-4
 Zellweger 5-5
 Gas detector schematic,
 Gasmix ii 5-7
 Zellweger 5-8
 Gasmix ii gas detector assembly, 5-4
 Gear ring assembly 3-10
 General information 1-1

H

Hardware kit, obstruction door pilot,
 Old style 780 3-57
 Horn -strobe assembly 5-3
 Hose clamp assembly 600 - 780 ** 6-74
 Hose, starter, high pressure 30' 11-27
 Hose, starter (return), low pressure 30' 11-28
 Hub assembly, rotary, 780 old style 3-58
 Hydraulic assembly, closed face rotary hub
 600 - 660 New style 6-76
 720 - 780 New style 6-78
 Hydraulic assembly & schematic 600 ** 6-13
 Dual feed 6-15
 Single feed 6-14
 Hydraulic assembly & schematic 660 ** 6-17
 Dual feed 6-19
 Single feed 6-18
 Hydraulic assembly & schematic 720 ** 6-21
 Dual feed 6-23
 Single feed 6-22
 Hydraulic assembly & schematic 780 ** 6-25
 Dual feed 6-27
 Single feed 6-26
 Hydraulic control linkage
 600 ** 6-66
 660 ** 6-68
 720 ** 6-70
 780 ** 6-72
 Hydraulic dirt wing assembly
 Cw 3-33
 Ccw 3-34

H (continued)

Hydraulic motor, conveyor lift 8-3
 Hydraulics 6-1
 Hydraulic schematic 600 - 780 * 6-4
 Hydraulic schematic, ijs 11-38
 Hydraulics, conveyor lift 600 -780 ** 6-34
 Hydraulics, conveyor safety valve 600 - 780 ** 6-49
 Hydraulics, conveyor valve 600 - 780 ** 6-48
 Hydraulics, dirt wing 600 - 780 ** 6-28
 Hydraulics, drum advance
 600 ** 6-52
 660 ** 6-54
 720 ** 6-56
 780 ** 6-58
 Hydraulics, filter assembly ** 6-44
 Hydraulics, flow divider ** 6-42
 Hydraulics, manifold 600 - 780 ** 6-50
 Hydraulics, motor valve
 600 - 660 ** 6-36
 720 ** 6-38
 780 ** 6-40
 Hydraulics, speed control
 600 ** 6-30
 660 - 720 - 780 ** 6-32
 Hydraulics, steering
 600 - 660 - 720 ** 6-60
 780 ** 6-62
 Hydraulic tunnel lines, tbm 6-80
 Hydraulic winch 6-82

I

Idler roller assembly 3-21
 Ijs 11-1
 Ijs coupler assembly 11-35
 Ijs cylinder 10-19, 11-37
 Ijs schematic 6-81
 Ijs segment assembly 11-36
 Ijs starter connection 11-34
 Ijs tunnel line 10' 6" 11-29
 Ijs valve 11-32
 Information, general 1-1
 Inner drum assembly 3-5
 Inner drum motor assembly option 780 3-23
 Inner drum motor control valve 7-2
 Inner drum weldment 3-6
 Intermediate jacking station 11-26
 Intermediate jacking station hyd schematic.. 6-81, 11-38
 Introduction i

K

Kit, gas challenge 5-6
 Kit, obstruction door pilot, 780 old style hardware ... 3-57

* 600 - SN F19325F00-15 & Before; 660 - SN F04410F00-7 & Before; 720 - SN F20800F00-18 & Before; 780 SN F25000F-3 & Before

** 600 - SN F19325F00-16 & After; 660 - SN F04410F00-8 & After; 720 - SN F20800F00-19 & After; 780 SN F25000F-4 & After

Alphabetical Index

L

Laser light stand 3-65
 Light assembly, extension 5-11
 Light stand, laser 3-65
 Liner can cylinder assembly,
 30" Stroke 10-20
 38" Stroke 10-21
 Link assembly, steering cylinder & 3-36, 3-38

M

Manifold hydraulics 600 - 780 ** 6-50
 Mid drum assembly 3-26
 Miscellaneous 11-1
 Motor assembly 3-20
 Motor assembly, drum advance
 Heavy duty 3-24
 Standard duty 3-24
 Motor assembly option
 720 3-22
 780 3-23
 Motor, conveyor drive 8-4, 8-6
 Motor, conveyor lift hydraulic 8-3
 Motors 8-1
 Motor, screw conveyor drive 8-5
 Motor, tbn drive 8-2
 Motor valve hydraulics 600 - 660 ** 6-36
 Motor valve hydraulics 720 ** 6-38
 Motor valve hydraulics 780 ** 6-40

O

Obstruction door pilot hardware kit 3-57
 Operator controls 4-1, 4-2, 4-3

P

Paddle assembly, dirt 3-16
 Paddle assembly, rubber 600 - 780 new style .. 3-64
 Pump, flow divider 9-2
 Pumps 9-1

Q

Quad bar assembly 3-46

R

Ring assembly, bell end 3-415
 Ring assembly, gear 3-10
 Roller assembly, drum 3-12, 3-13
 Roller assembly, idler 3-21
 Roller assembly, thrust 3-19, 3-25
 Roller bearing assembly, drum 3-14

R (continued)

Rotary hub assembly
 New style 600 - 780 3-63
 Old style 600 - 720 3-52
 Old style 780 3-58
 Rubber paddle assembly, 600 - 780 new style .. 3-64

S

Safety valve 600 - 780 ** 7-9
 Sand head assembly 3-43
 Sand shelf assembly 3-44
 Schematic, electrical box 5-10
 Schematic, gas detector
 Gasmex ii 5-7
 Zellweger 5-8
 Schematic, hydraulic 600 - 780 * 6-4
 Schematic, hydraulic assembly & 600 ** 6-13
 dual feed 6-15
 single feed 6-14
 Schematic, hydraulic assembly & 660 ** 6-17
 dual feed 6-19
 single feed 6-18
 Schematic, hydraulic assembly & 720 ** 6-21
 dual feed 6-23
 single feed 6-22
 Schematic, hydraulic assembly & 780 ** 6-25
 dual feed 6-27
 single feed 6-26
 Schematic, ijs 6-81
 Schematic, ijs hydraulic 11-38
 Scoop assembly, dirt 3-15
 Screw conveyor
 140 11-22
 160 11-24
 Screw conveyor decals 2-5
 Screw conveyor drive motor 8-5
 Seat assembly 3-27
 Segment assembly, ijs 11-36
 Shelf assembly, sand 3-44, 3-45
 Speed control hydraulics
 600 ** 6-30
 660 - 720 - 780 ** 6-32
 Stand, laser light 3-65
 Starter connection, ijs 11-34
 Starter hose,
 High pressure 30' 11-27
 Low pressure 30' 11-28
 Steering cylinder
 600 - 660 ** 10-9
 600 - 660 * 10-8
 720 - 780 ** 10-11
 720 - 780 * 10-10

* 600 - SN F19325F00-15 & Before; 660 - SN F04410F00-7 & Before; 720 - SN F20800F00-18 & Before; 780 SN F25000F-3 & Before

** 600 - SN F19325F00-16 & After; 660 - SN F04410F00-8 & After; 720 - SN F20800F00-19 & After; 780 SN F25000F-4 & After

Alphabetical Index

S (continued)

Steering cylinder & link assembly 3-36, 3-38
 Steering hydraulics
 600 - 660 - 720 ** 6-60
 780 ** 6-62
 Steering valve 7-3
 Strobe - horn assembly 5-3
 Structuralis 3-1

T

Tbm control valve 7-4
 Tbm drive motor 8-2
 Tbm hydraulic tunnel lines 6-80
 Tee connector 11-30
 Terminology 1-1
 Conveyor - belt 1-5
 Conveyor - screw 1-6
 Cutter head attachments 1-4
 Laser light stand 1-7
 Tbm control valve 1-3
 Tunnel boring machine 1-2
 Thrust roller assembly 3-19, 3-25
 Tunnel boring machine decals 2-2
 Tunnel line 10' 6", ijs 11-29
 Tunnel lines, tbm hydraulic 6-80

V

Valve assembly, control 600 - 780 ** 6-64
 Valve, conveyor control 600 - 780 * 7-8
 Valve, conveyor drive 600 - 780 ** 7-7
 Valve, conveyor drive control 600 - 780 * 7-6
 Valve, flow control 600 - 780 ** 7-11
 Valve, flow control 600 - 780 * 7-10
 Valve hydraulics, conveyor 600 - 780 ** 6-48
 Valve hydraulics, conveyor safety 600 - 780 ** .. 6-49
 Valve hydraulics, motor
 600 - 660 ** 6-36
 720 ** 6-38
 780 ** 6-40
 Valve, ijs 11-32
 Valve, inner drum motor control 7-2
 Valves 7-1
 Valve, safety 600 - 780 ** 7-9
 Valve, steering 7-3
 Valve, tbm control 7-4

W

Winch, hydraulic 6-82
 Wing (ccw) assembly, hydraulic dirt
 Cw 3-33
 Ccw 3-34
 Wing drum assembly, dirt 3-32
 Wing hydraulics, dirt 600 - 780 ** 6-28

* 600 - SN F19325F00-15 & Before; 660 - SN F04410F00-7 & Before; 720 - SN F20800F00-18 & Before; 780 SN F25000F-3 & Before

** 600 - SN F19325F00-16 & After; 660 - SN F04410F00-8 & After; 720 - SN F20800F00-19 & After; 780 SN F25000F-4 & After

NOTES



Numerical Index

PART NO.	PAGE NO.	PART NO.	PAGE NO.	PART NO.	PAGE NO.
001151P00	3-10	002261A01	3-24	002799P00	6-66
001229A01	3-21	002262A	6-13	002799P00	6-68
001231A01	3-20	002262A	6-17	002799P00	6-71
001231A01	3-21	002262A	6-21	002799P00	6-73
001243P01	10-2	002262A	6-25	002824A01	11-17
001245P00	10-2	002262A	6-74	002856P00	3-36
001245P00	10-4	002269P01	6-74	002856P00	3-38
001245P00	10-5	002269P01	11-3	002856P00	10-8
001245P00	10-6	002269P01	11-23	002856P00	10-9
001296A02	3-18	002269P01	11-24	002856P00	10-10
001296A02	3-19	002270P	6-74	002856P00	10-11
001296A02	3-24	002271P	6-74	002995P04	3-20
001296A02	3-25	002279P01	3-3	003050P01	10-20
001303P01	10-4	002289A00	3-5	003050P01	10-21
001303P01	10-5	002289A00	3-15	003051A00	10-20
001320P00	3-20	002373A00	11-33	003053P00	10-20
001328A00	3-18	002386P01	11-7	003054P00	10-20
001328A00	3-24	002617A01	6-5	003054P00	10-21
001335P00	11-33	002617A01	10-20	003095P02	10-19
001341A00	11-16	002624P00	3-16	003095P02	11-37
001496P00	11-4	002624P00	3-64	003255A00	3-5
001887P00	3-18	002624P00	11-4	003255A00	3-15
001887P00	3-24	002624P00	11-21	003348P02	10-19
001906A00	3-18	002683A00	10-4	003348P02	11-37
001906A00	3-24	002684P00	10-4	003364A01	10-19
001907A00	11-36	002684P00	10-5	003364A01	11-37
001922P01	3-21	002691A00	3-31	003602A02	10-8
002082A01	3-12	002691A00	10-4	003605P00	3-37
002225P	3-4	002796P00	6-66	003640P00	3-37
002243P00	3-18	002796P00	6-68	003640P00	3-39
002243P00	3-24	002796P00	6-71	003660A01	3-28
002261A01	3-18	002796P00	6-73	003661P00	3-28

Numerical Index

PART NO.	PAGE NO.	PART NO.	PAGE NO.	PART NO.	PAGE NO.
003729A02	3-5	004769A02	3-43	005135P00	11-27
003729A02	3-6	004769A02	3-44	005135P00	11-29
003748P01	3-6	004789A00	3-43	005135P00	11-30
003752P03	3-6	004838A00	3-3	005135P00	11-34
003860P01	6-67	004838A00	3-43	005135P00	11-35
003860P01	6-69	004892A00	3-3	005344A	4-3
003860P01	6-71	004892A00	3-43	005344A	6-66
003860P01	6-73	004899P00	6-7	005344A	6-69
003860P01	7-2	004899P00	6-51	005344A	6-70
003924P00	3-6	004901P00	6-7	005344A	6-72
003965A00	3-30	004901P01	6-51	005344A	7-7
003999A01	3-42	004902A00	6-37	005346P	7-7
004063P00	6-67	004902A00	6-39	005348P00	6-7
004063P00	6-69	004902A00	6-41	005348P00	6-45
004063P00	6-71	004943P00	3-44	005348P00	6-51
004063P00	6-73	004944P00	3-44	005349A01	6-5
004124P01	3-42	004944P00	3-44	005349A01	6-7
004124P01	3-46	004945P00	3-44	005350P03	6-7
004124P01	3-49	004946P00	3-44	005350P03	6-51
004417P01	3-6	004947P00	3-44	005373P00	3-45
004420P01	3-6	004947P00	3-44	005374P00	3-45
004431P01	3-44	004947P00	3-45	005377P00	3-45
004440A02	3-43	004948P00	3-44	005378P00	3-45
004440A02	3-44	004948P00	3-45	005382P00	3-44
004446A01	3-3	005111P01	3-44	005383P00	3-44
004446A01	3-26	005112P00	3-44	005436A00	11-4
004450A01	3-4	005113P00	3-44	005439P00	3-45
004451A01	3-5	005114P00	3-44	005440P00	3-44
004451A01	3-6	005115P00	3-44	005440P00	3-45
004457A01	3-42	005116P00	3-44	005441P00	3-44
004464A00	3-43	005117A00	3-44	005442P00	3-45
004500A04	6-5	005118A00	3-44	005443P00	3-44
004500A04	6-6	005118A00	3-45	005443P00	3-45
004644A01	3-43	005133A02	11-28	005444P00	3-44
004666A00	3-6	005133A02	11-29	005539A01	3-46
004671P00	3-48	005133A02	11-30	005764A00	11-33
004671P00	3-54	005133A02	11-34	005783P00	3-37
004671P00	3-48	005133A02	11-35	005851P01	3-37
004725A00	11-33	005134P00	11-27	005851P01	3-39
004742A00	3-42	005134P00	11-29	005852P01	3-37
004750P01	3-42	005134P00	11-30	005852P01	3-39
004750P02	3-42	005134P00	11-34	005853P01	3-37
004750P03	3-42	005134P00	11-35	005868P00	3-36

Numerical Index

PART NO.	PAGE NO.	PART NO.	PAGE NO.	PART NO.	PAGE NO.
005868P00	3-39	006674P	6-67	007085P00	11-35
005868P00	10-8	006678P	6-69	007086P00	6-7
005868P00	10-10	006678P	6-71	007086P00	6-51
005912P00	3-36	006678P	6-73	007087P00	6-7
005912P00	3-38	006679P	6-71	007087P00	6-51
006025A00	3-65	006679P	6-73	007127P00	3-44
006034A00	3-65	006696A	6-67	007128P00	3-44
006039A00	3-65	006697A	6-67	007129P00	3-44
006040A00	3-65	006698P	6-67	007130P00	3-44
006044A00	3-65	006698P	6-69	007131P00	3-44
006047A00	3-65	006698P	6-71	007132P00	3-44
006051P00	3-65	006698P	6-73	007158P00	3-39
006068A01	3-65	006720A	3-6	007239P00	3-33
006288A00	3-37	006720A	3-8	007239P00	3-34
006301P00	3-37	006726P00	3-9	007240P00	3-34
006302P01	3-37	006728P00	3-8	007302A00	11-26
006303A00	3-37	006825P01	3-18	007302A00	11-36
006304A00	3-3	006825P01	3-24	007303A00	11-26
006304A00	3-36	007002P02	6-7	007303A00	11-36
006338A00	6-67	007002P02	6-51	007304A00	11-26
006338A00	6-68	007042P02	3-6	007304A00	11-36
006338A00	6-71	007053P01	3-9	007332P00	3-20
006338A00	6-73	007054P02	3-6	007344A00	10-19
006342P00	6-66	007056A02	3-5	007344A00	11-37
006342P00	6-68	007056A02	3-6	007407P00	10-8
006342P00	6-71	007065P00	3-45	007407P00	10-10
006342P00	6-73	007066P00	3-45	007412P00	3-36
006343P00	6-67	007067P01	3-45	007412P00	3-39
006343P00	6-69	007068P00	3-45	007412P00	10-8
006343P00	6-71	007069P00	3-45	007412P00	10-10
006343P00	6-73	007070P00	3-45	007579A00	4-2
006450A	3-37	007071P00	3-45	007579A00	4-3
006510A00	3-5	007072P00	3-45	007579A00	6-5
006510A00	3-15	007073A01	3-45	007579A00	6-37
006639P	6-67	007074A00	3-42	007579A00	6-39
006639P	6-69	007075A01	3-43	007579A00	6-41
006639P	6-71	007075A01	3-45	007579A00	7-2
006639P	6-73	007080A00	3-43	007580P01	7-2
006645P	6-66	007082A00	3-3	007581P00	7-2
006673P	6-67	007082A00	3-43	007582P00	7-2
006673P	6-69	007085P00	11-28	007583P00	7-2
006673P	6-70	007085P00	11-29	007584P01	7-2
006673P	6-72	007085P00	11-30	007585P01	7-2

Numerical Index

PART NO.	PAGE NO.	PART NO.	PAGE NO.	PART NO.	PAGE NO.
007586P01	7-2	009350A00	3-3	009808P00	11-35
007645P00	11-16	009350A00	3-43	009809P00	11-28
007646P00	11-16	009351A00	3-43	009809P00	11-29
007908P00	3-37	009352A01	3-43	009809P00	11-34
007908P00	3-39	009352A01	3-45	009809P00	11-35
007910A00	3-37	009363P01	3-10	009810P00	11-30
007910A00	3-39	009365P00	3-45	009811P01	11-28
007965A01	6-6	009366P00	3-45	009811P01	11-29
007966P01	6-6	009367P00	3-45	009811P01	11-30
007966P01	6-46	009368P00	3-45	009811P01	11-35
007966P01	6-47	009369P00	3-45	009812P01	11-27
007968A00	6-5	009370P00	3-45	009812P01	11-29
007968A00	6-37	009371P00	3-45	009812P01	11-34
007968A00	6-39	009372P00	3-45	009812P01	11-35
007968A00	6-41	009373P00	3-45	009841A00	3-5
008033P00	3-37	009374P00	3-45	009841A00	3-10
008033P00	3-39	009375P00	3-45	009842P00	3-10
008034P01	3-37	009376P00	3-45	009843P01	3-10
008034P01	3-39	009377P00	3-45	009874P	11-24
008035A00	3-37	009378P00	3-45	009881A00	11-24
008035A00	3-39	009379P00	3-45	009882A00	11-24
008036P00	3-37	009380P00	3-45	009883A00	11-24
008036P00	3-39	009381P00	3-45	009893P00	11-22
008146P00	6-5	009382P00	3-45	009893P00	11-25
008146P00	6-51	009383P00	3-45	009918A00	10-12
008149A00	6-5	009588A00	3-4	009918A00	10-13
008149A00	6-37	009588A00	3-4	009918A00	10-14
008149A00	6-39	009588A00	3-22	009918A00	10-16
008149A00	6-41	009588A00	3-23	009918A00	10-17
008190A00	6-6	009662A00	3-5	009981A00	3-8
008190A00	6-46	009662A00	3-10	009981A00	3-9
008190A00	6-47	009663P00	3-10	009984P00	3-9
008289A00	3-20	009664P02	3-10	009985P00	3-9
008385P00	6-5	009691A01	3-5	009986P00	3-8
008386P00	6-5	009691A01	3-10	009986P00	3-9
008945P01	10-12	009692P00	3-10	009987P00	3-8
008945P01	10-13	009693P02	3-10	009987P00	3-9
008945P01	10-14	009695A00	3-4	009992A01	3-26
008945P01	10-16	009695A00	3-4	009992A01	3-27
008945P01	10-17	009806P00	11-29	009993P00	3-27
009183P01	3-10	009808P00	11-27	009994P00	3-27
009247A00	3-42	009808P00	11-29	009995P00	3-27
009346P00	3-10	009808P00	11-30	010129P00	6-5

Numerical Index

PART NO.	PAGE NO.	PART NO.	PAGE NO.	PART NO.	PAGE NO.
010129P00	6-42	011713P00	10-9	014215P00	3-61
010199A01	3-3	011713P00	10-10	014215P00	3-49
010199A01	6-5	011713P00	10-11	014426P00	3-8
010276P00	6-67	011720A00	6-5	014481P00	10-12
010276P00	6-69	011720A00	10-21	014481P00	10-13
010276P00	6-71	011721A00	10-21	014481P00	10-14
010276P00	6-73	011723P00	10-21	014481P00	10-16
010385A01	3-36	011805P00	3-14	014481P00	10-17
010385A01	6-5	011807P00	3-6	014490P00	3-49
010385A01	10-8	011808P00	3-12	014600A00	3-32
010716P00	3-9	011808P00	3-13	014600A00	3-33
010737A02	3-18	011809P00	3-12	014602A00	3-33
010740P01	3-19	011809P00	3-13	014603A00	3-33
010740P01	3-25	011845A00	3-12	014603A00	3-34
010741P00	3-19	011845A00	3-13	014603A00	6-5
010741P00	3-25	011845A00	3-14	014603A00	10-6
010742P00	3-24	011846P00	3-14	014604P00	10-6
010744A02	3-24	012271P00	3-28	014605P00	10-6
010747A00	3-18	012609A01	3-26	014606A01	3-33
010747A00	3-24	012609A01	3-28	014606A01	3-34
010747A00	6-5	012755P	6-67	014610P00	3-33
010747A00	10-2	012755P	6-69	014610P00	3-34
010748A00	10-2	012755P	6-71	014617A00	3-32
010748A00	10-6	012755P	6-73	014617A00	3-34
010776P01	3-9	012765A01	3-29	014618A00	3-34
010778P01	3-9	012785A00	3-28	014619P00	3-32
010864P00	10-2	012790A00	3-29	014650A00	3-32
010864P00	10-6	012795A00	3-29	014651A00	3-32
010865P00	10-2	012795A00	3-30	014652A00	3-32
011701A00	10-10	012795A00	3-29	014653A00	3-32
011703A00	10-10	012798A01	3-29	014654A00	3-32
011703A00	10-11	013700A00	3-4	014655A00	3-32
011704P00	10-8	013713A00	3-4	015022P00	3-56
011704P00	10-9	013787P	3-4	015027P00	3-48
011704P00	10-10	013788P	3-4	015027P00	3-54
011704P00	10-11	013790P	3-4	015027P00	3-48
011709A00	10-8	013791P	3-4	015050A	3-61
011709A00	10-9	013814A00	3-4	015050A	10-16
011709A00	10-10	013814A00	3-20	015051A	10-16
011709A00	10-11	013814A00	3-22	015053A	10-16
011711A00	10-8	013814A00	3-23	015057P	3-61
011711A00	10-9	014215P00	3-49	015057P	3-61
011713P00	10-8	014215P00	3-54	015080A	3-61

Numerical Index

PART NO.	PAGE NO.	PART NO.	PAGE NO.	PART NO.	PAGE NO.
015080A	10-17	018658A00	6-5	019307A00	10-12
015081A	10-17	018658A00	10-13	019308A00	10-12
015083A	10-17	018659A00	10-13	019313A00	3-47
016400A	3-3	018660A00	10-13	019313A00	3-48
016400A	5-2	018661A00	3-47	019315A00	3-47
016401A	5-2	018661A00	3-48	019315A00	6-8
016401A	5-5	018665A00	3-48	019318A01	3-3
016402A	5-2	018665A00	3-51	019318A01	3-36
016402A	5-9	018671A00	3-48	019322A00	3-4
016403P	5-5	018671A00	3-54	019323A01	3-3
016404A	5-2	018671A00	3-61	019323A01	3-32
016404A	5-3	018671A00	3-48	019324A01	3-32
016405P	5-3	018700A00	3-48	019326A00	3-3
016406P	5-9	018700A00	3-52	019326A00	3-4
016407P	5-4	018700A00	3-54	019328A00	3-4
016409A	5-2	018700A00	3-58	019328A00	3-5
016410A	5-2	018700A00	6-5	019334A01	3-3
016412P	5-9	018700A00	3-48	019334A01	3-26
016415A	5-2	018703P00	3-54	019370A	3-41
016415A	5-11	018716P00	3-49	019371A02	3-26
016416A	5-2	018717P01	3-49	019372A00	3-3
016416A	5-11	018717P01	3-54	019372A00	3-40
016419A	5-2	018717P01	3-61	019378A00	3-27
016420A	5-2	018717P01	3-49	019382P00	3-27
016420A	5-4	018718P00	3-49	019384A	3-37
016422A	5-6	018718P00	3-61	019386A00	3-3
016735A	3-61	018733P00	3-51	019386A00	3-41
016735A	3-64	018736P00	3-54	019387P00	3-41
016736P	3-64	018736P00	6-10	019396P	3-41
016737P	3-64	018736P00	6-11	019464P00	3-49
018650A00	3-3	019300A01	3-3	020300A	3-31
018650A00	3-47	019300A01	3-47	020300A	10-5
018651A00	3-47	019301A01	3-47	020302A	3-36
018651A00	3-48	019301A01	3-48	020302A	10-9
018652A00	3-48	019302A00	3-48	020303A	3-36
018652A00	3-50	019302A00	3-50	020303A	3-38
018653A00	3-50	019303A00	3-50	020303A	10-11
018654A00	3-50	019303A00	3-51	020305A	10-5
018654A00	3-51	019304A00	3-50	020306A	10-9
018655A00	3-50	019305A00	3-50	020307A	10-11
018656A00	3-48	019306A00	3-48	020309A	10-11
018656A00	3-61	019306A00	6-5	020309P	10-9
018658A00	3-48	019306A00	10-12	020802A00	3-3

Numerical Index

PART NO.	PAGE NO.	PART NO.	PAGE NO.	PART NO.	PAGE NO.
020802A00	3-4	020915A00	3-3	025018A	3-32
020803A00	3-4	020915A00	3-47	025020A	3-3
020804A00	3-4	020916A00	3-47	025020A	3-4
020804A00	3-5	020916A00	3-48	025021A	3-3
020805A01	3-3	020917A00	3-48	025021A	3-41
020805A01	3-26	020917A00	3-50	025022P	3-41
020806A02	3-26	020918A00	3-50	025025A	3-4
020808A00	3-3	020919A00	3-50	025027A	3-3
020808A00	3-32	020919A00	3-51	025027A	3-32
020809A01	3-32	020920A00	3-50	025029P	3-6
020812A01	3-3	020921A00	3-47	025035A	3-4
020812A01	3-36	020921A00	3-48	025035A	3-5
020814A00	3-3	020976A	3-61	025036A	3-3
020814A00	3-41	020976A	3-62	025036A	3-38
020815A01	3-36	020978P	3-60	025040A	3-5
020815A01	3-38	020979P	3-60	025040A	3-10
020815A01	6-5	020980P	3-61	025041P	3-9
020815A01	10-10	020982A	3-61	025042P	3-9
020841A	3-5	020985A	3-61	025045A	3-5
020841A	3-16	020985A	6-79	025045A	3-6
020842P	3-16	022132A	3-5	025050A	3-6
020844A	3-5	022132A	3-13	025050A	3-9
020844A	3-16	022133P	3-6	025060A	3-26
020845P	3-16	022134P	3-6	025065A	3-3
020847A	3-5	022135P	3-6	025065A	3-26
020847A	3-16	022136P	3-6	025075A	3-3
020848P	3-16	022180A	3-13	025075A	3-46
020857P00	10-10	022185P	3-6	025076A	3-46
020857P00	10-11	022186P	3-6	025077A	3-46
020880A	3-6	022190A	3-6	025124A	3-39
020880A	3-9	022831A	10-20	025173P	3-9
020881P00	3-41	022832A	10-21	025199A	3-3
020888A	3-37	023514P00	3-49	025199A	3-40
020891P	3-41	023515P00	3-49	025222P	3-4
020893P	3-41	023524P00	11-22	025223P	3-4
020906A00	3-54	023524P00	11-24	025231P	3-6
020906A00	3-55	023534P00	5-3	025238P	3-6
020906A00	6-5	023792P00	3-41	025239P	3-6
020906A00	10-14	024501A00	11-22	025241P	3-6
020906A00	3-48	024502A00	11-22	025291P	3-39
020907A00	10-14	024503A00	11-22	025315A00	3-26
020908A00	10-14	024559P	11-22	025315A00	3-31
020909A00	3-56	025005P	3-6	025316A01	3-31

Numerical Index

PART NO.	PAGE NO.	PART NO.	PAGE NO.	PART NO.	PAGE NO.
025317A00	3-31	026690A00	3-3	027031A	3-41
025318A01	3-31	026690A00	3-54	027033P	3-41
025319A00	3-31	026691A	3-54	027096P	3-41
025344P	11-10	026695A	3-54	027109A00	11-7
025344P	11-13	026695A	3-56	027113P00	3-29
025344P	11-17	026891A	3-61	027130P00	11-7
025354P01	3-18	026891A	3-62	027131A00	11-17
025354P01	3-24	026892P	3-60	027131A00	11-18
025355P00	3-18	026893P	3-60	027132P00	11-18
025355P00	3-24	026894P	3-61	027132P00	11-19
025356P00	3-18	026905A	3-54	027133P00	11-18
025356P00	3-24	026906P	3-54	027133P00	11-19
025383P00	3-31	026907P	3-49	027134A00	11-10
025386P00	3-31	026907P	3-54	027134A00	11-11
025389P00	3-31	026909P	3-49	027135P00	11-8
025391P00	3-31	026909P	3-54	027135P00	11-9
025398P00	3-31	026911A	3-55	027135P00	11-11
025646P	3-55	026912A	3-47	027135P00	11-12
025676A	3-61	026912A	3-55	027136P00	11-8
025676A	3-62	026912A	6-10	027136P00	11-9
025678P	3-60	026923A	3-46	027136P00	11-11
025679P	3-60	026924A	3-46	027136P00	11-12
025680P	3-61	026930A	3-3	027137A00	11-4
026115A	3-3	026930A	3-46	027137A00	11-5
026115A	3-46	026935A	3-46	027138P00	11-5
026116A	3-46	026936A	3-46	027138P00	11-6
026117A	3-46	026940A	3-3	027139P00	11-5
026137P	3-49	026940A	3-46	027139P00	11-6
026137P	3-54	027010A	3-3	027140P00	11-5
026137P	3-49	027010A	3-4	027140P00	11-6
026139A	3-56	027015A	3-3	027150A	11-3
026140A	3-4	027015A	3-40	027155A	11-3
026140A	3-18	027017A	3-6	027216P00	11-5
026144A	3-56	027017A	3-9	027216P00	11-6
026144A	3-57	027018P	3-4	027216P00	11-8
026145A	3-4	027019P	3-4	027216P00	11-9
026145A	3-24	027025A	3-32	027216P00	11-11
026150A	3-46	027026A	3-4	027216P00	11-12
026315A	3-62	027026A	3-5	027216P00	11-14
026426A	3-3	027027A	3-26	027216P00	11-15
026426A	3-40	027030A	3-3	027217P00	11-8
026435A	3-5	027030A	3-32	027217P00	11-9
026435A	3-12	027031A	3-3	027217P00	11-11

Numerical Index

PART NO.	PAGE NO.	PART NO.	PAGE NO.	PART NO.	PAGE NO.
027217P00	11-12	027369P	11-21	027564P	3-63
027218P00	11-18	027374P	11-20	029843P	6-42
027218P00	11-19	027411P	11-3	029900A	6-13
027219A00	11-17	027411P	11-3	029900A	6-28
027219A00	11-19	027415A	11-21	029901A	6-13
027221A00	11-4	027420A	11-17	029901A	6-31
027221A00	11-6	027420A	11-20	029902A	4-3
027247P00	11-18	027425A	11-3	029902A	6-13
027247P00	11-19	027425A	11-17	029902A	6-53
027248P00	11-5	027451A	11-17	029903A	6-13
027248P00	11-6	027456A	11-3	029903A	6-61
027249P00	11-8	027456A	11-13	029904A	6-13
027249P00	11-9	027457A	11-13	029904A	6-34
027249P00	11-11	027461A	11-13	029905A	6-13
027249P00	11-12	027461A	11-14	029905A	6-37
027265A00	11-4	027462A	11-13	029906A	6-13
027265A00	11-8	027462A	11-15	029906A	6-42
027266A00	11-4	027463P	11-14	029907A	6-13
027266A00	11-9	027463P	11-15	029907A	6-45
027267A00	11-10	027464P	11-14	029908A	6-13
027267A00	11-12	027464P	11-15	029908A	6-48
027302A00	11-4	027465A	11-21	029909A	6-46
027303A00	11-10	027467P	11-14	029909A	6-47
027306A00	11-20	027467P	11-15	029910A	6-45
027307A00	11-4	027468P	11-14	029910A	6-46
027307A00	11-7	027468P	11-15	029911P	6-51
027311A00	11-3	027470A	11-20	029912P	6-51
027311A00	11-16	027509A	3-61	029913P	6-28
027313A00	11-3	027551A	3-61	029914P	6-28
027313A00	11-4	027551A	3-62	029917P	6-37
027314A00	11-3	027552A	3-61	029917P	6-39
027314A00	11-10	027555P	3-60	029917P	6-41
027333P00	11-21	027556P	3-60	029919P	7-9
027335P00	11-21	027558P	3-61	029920A	6-49
027336P00	11-3	027559P	3-62	029920A	7-9
027339P00	11-3	027560P	3-61	029921P	6-45
027340P00	11-7	027561A	3-61	029921P	6-61
027343P00	11-7	027561A	6-77	029921P	6-63
027345P00	11-10	027562A	3-52	029922A	6-13
027345P00	11-13	027562A	3-58	029922A	6-49
027345P00	11-17	027562A	3-61	029924A	6-21
027346P00	11-4	027562A	3-63	029924A	6-25
027347A00	11-7	027563P	3-63	029924A	6-64

Numerical Index

PART NO.	PAGE NO.	PART NO.	PAGE NO.	PART NO.	PAGE NO.
029925A	6-13	029955A	3-3	029980A	6-34
029925A	6-51	029955A	6-25	029981A	6-25
029927P	6-61	029956A	6-17	029981A	6-41
029927P	6-63	029956A	6-48	029982A	6-25
029929P	6-37	029957A	6-17	029982A	6-42
029929P	6-37	029957A	6-49	029983A	6-25
029929P	6-39	029958A	6-17	029983A	6-45
029929P	6-41	029958A	6-51	029984A	6-25
029930P	6-45	029959P	6-45	029984A	6-48
029932P	6-45	029960A	6-13	029985A	6-25
029933P	6-45	029960A	6-64	029985A	6-49
029935P	6-51	029964P	6-45	029986A	6-25
029936P	6-51	029965A	6-21	029986A	6-51
029937P	6-51	029965A	6-28	029987A	3-4
029938P	6-42	029966A	6-21	029987A	3-20
029939A	6-17	029966A	6-33	029987A	3-23
029939A	6-28	029967A	6-21	029987A	6-25
029940A	6-17	029967A	6-57	029988P	6-45
029940A	6-33	029968A	6-21	029989P	6-45
029941A	6-17	029968A	6-61	029990P	6-45
029941A	6-55	029969A	6-21	029994A	3-4
029942A	6-17	029969A	6-34	029994A	3-20
029942A	6-61	029970A	6-21	029994A	3-22
029943A	6-17	029970A	6-39	029994A	6-21
029943A	6-34	029971A	6-21	029995A	6-46
029944A	6-17	029971A	6-42	029995A	6-47
029944A	6-37	029972A	6-21	030017A	6-71
029945A	6-17	029972A	6-45	030017A	6-73
029945A	6-42	029973A	6-21	030018P	6-69
029946A	6-17	029973A	6-48	030018P	6-71
029946A	6-45	029974A	6-21	030018P	6-73
029949P	6-53	029974A	6-49	030020A	6-13
029949P	6-55	029975A	6-21	030020A	6-66
029949P	6-57	029975A	6-51	030021A	6-17
029949P	6-59	029976A	6-25	030021A	6-68
029949P	6-61	029976A	6-28	030022A	6-21
029949P	6-63	029977A	6-25	030022A	6-25
029952A	3-3	029977A	6-33	030022A	6-70
029952A	6-13	029978A	6-25	030023A	6-72
029953A	3-3	029978A	6-59	030032A	6-71
029953A	6-17	029979A	6-25	030033A	6-71
029954A	3-3	029979A	6-63	030035A	6-69
029954A	6-21	029980A	6-25	030036A	6-69

Numerical Index

PART NO.	PAGE NO.	PART NO.	PAGE NO.	PART NO.	PAGE NO.
030038A	6-73	1250-470	2-3	A09951A-074	6-33
030039A	6-73	1250-471	2-3	A09951A-080	6-33
030054A	6-17	1250-474	2-3	A09953A-041	3-23
030054A	6-64	1250-475	2-3	A09953A-054	3-23
030092P	6-31	1250-478	2-3	A09953A-054	6-37
030092P	6-33	1250-532a	2-3	A09953A-054	6-41
030304A	3-3	1250-544	2-3	A09953A-061	6-39
030304A	3-42	1250-544	2-4	A09953A-063	6-37
030315A	3-42	1250-544	2-5	A09953A-066	6-37
030317P	3-42	1250-544	2-6	A09954A-030	6-41
030318P	3-42	1250-544	2-7	A09954A-053	6-39
030321A	3-3	1250-560	2-3	A09954A-065	6-37
030321A	3-42	1250-562	2-3	A09954A-069	6-37
030322P	3-42	1250-572	2-3	A09954A-078	6-37
030323P	3-42	1250-573	2-3	A09955A-078	6-39
030324A	3-3	1250-577	2-4	A09955A-079	6-41
030324A	3-42	1250-577	2-5	A10019A-026	6-49
030325P	3-42	1250-579	2-3	A10019A-027	6-49
030326P	3-42	1250-581	2-3	A10019A-029	6-49
030327A	3-3	1250-650	2-3	A10019A-030	6-49
030327A	3-42	1250-749	2-6	A10019A-034	6-49
030442A	6-46	1250-750	2-4	A10019A-035	6-49
030497A	6-33	1250-751	2-5	A10019A-041	6-49
030498A	6-33	1250-837	2-3	A10019A-042	6-49
030499A	6-33	1250-859	2-3	A10063A-030	6-31
030515A	6-31	1251-200	2-3	A10063A-030	6-33
030517A	6-31	1251-245	2-6	A10063A-036	6-33
030555P	7-9	1251-245	2-7	A10074A-008	6-37
030574P	6-45	1251-246	2-4	A10074A-008	6-39
030650A	6-68	1251-246	2-5	A10074A-008	6-41
07240P00	3-33	1251-272	2-3	A10079A-013	6-61
1250-004	2-3	1251-295	2-3	A10079A-014	6-61
1250-004	2-4	1251-312	2-3	A10079A-015	6-61
1250-004	2-5	1251-313	2-3	A10079A-016	6-61
1250-006	2-3	1251-320	2-3	A10079A-017	6-61
1250-007	2-3	1251-326	2-3	A10079A-020	6-61
1250-030	2-3	40000-16	2-3	A10079A-021	6-61
1250-031	2-3	A09903A-116	6-51	A10079A-023	6-61
1250-098	2-3	A09903A-120	6-51	A10079A-023	6-63
1250-098	2-4	A09903A-133	6-51	A10079A-024	6-61
1250-098	2-5	A09951A-026	3-23	A10079A-024	6-63
1250-098	2-6	A09951A-068	6-31	A10079A-027	6-37
1250-098	2-7	A09951A-071	6-33	A10079A-027	6-39

Numerical Index

PART NO.	PAGE NO.	PART NO.	PAGE NO.	PART NO.	PAGE NO.
A10079A-027.....	6-41	A10094A-090.....	6-80	A10313A-027.....	6-57
A10079A-027.....	6-61	A10308A-060.....	6-51	A10313A-027.....	6-59
A10079A-031.....	6-28	A10308A-064.....	6-51	A10313A-029.....	6-31
A10079A-031.....	6-63	A10308A-068.....	6-51	A10313A-030.....	3-22
A10079A-034.....	6-37	A10308A-075.....	6-51	A10313A-030.....	6-57
A10079A-035.....	3-22	A10308A-128.....	6-31	A10313A-030.....	6-59
A10079A-035.....	6-53	A10308A-148.....	6-33	A10313A-031.....	6-53
A10079A-035.....	6-61	A10308A-150.....	6-33	A10313A-031.....	6-55
A10079A-036.....	6-53	A10308A-150.....	6-33	A10313A-033.....	6-55
A10079A-037.....	6-61	A10311A-008.....	6-77	A10313A-035.....	6-55
A10079A-038.....	6-63	A10311A-014.....	6-77	A10313A-035.....	6-57
A10079A-039.....	6-61	A10311A-014.....	6-79	A10313A-035.....	6-59
A10079A-040.....	6-28	A10311A-025.....	6-77	A10313A-036.....	3-23
A10079A-041.....	6-61	A10311A-028.....	6-79	A10313A-036.....	6-55
A10079A-042.....	6-61	A10311A-037.....	6-79	A10313A-036.....	6-57
A10079A-045.....	6-37	A10311A-040.....	6-77	A10313A-036.....	6-59
A10079A-045.....	6-41	A10311A-040.....	6-79	A10313A-038.....	6-53
A10079A-056.....	6-39	A10311A-090.....	6-77	A10313A-038.....	6-55
A10079A-058.....	6-63	A10311A-090.....	6-79	A10313A-038.....	6-57
A10079A-067.....	6-61	A10311-xxx.....	11-26	A10313A-038.....	6-59
A10079A-069.....	6-63	A10313A-013.....	6-37	A10313A-040.....	6-33
A10079A-070.....	6-61	A10313A-013.....	6-55	A10313A-041.....	6-57
A10079A-075.....	6-37	A10313A-017.....	6-28	A10313A-044.....	6-31
A10079A-080.....	6-37	A10313A-017.....	6-57	A10313A-046.....	6-33
A10080A-066.....	6-48	A10313A-017.....	6-59	A10313A-050.....	6-57
A10080A-070.....	6-48	A10313A-018.....	6-53	A10313A-050.....	6-59
A10080A-072.....	6-48	A10313A-019.....	6-61	A10313A-056.....	6-33
A10081A-039.....	6-31	A10313A-020.....	6-37	A10313A-058.....	6-39
A10081A-039.....	6-33	A10313A-020.....	6-63	A10313A-060.....	6-61
A10081A-043.....	6-33	A10313A-022.....	6-28	A10313A-062.....	6-33
A10081A-072.....	6-39	A10313A-022.....	6-55	A10313A-063.....	6-61
A10081A-077.....	6-37	A10313A-025.....	6-28	A10313A-066.....	6-61
A10081A-086.....	6-33	A10313A-025.....	6-39	A10313A-067.....	6-63
A10081A-090.....	6-41	A10313A-025.....	6-41	A10313A-069.....	6-61
A10081A-095.....	6-37	A10313A-025.....	6-55	A10313A-070.....	3-23
A10082A-111.....	6-28	A10313A-026.....	6-53	A10313A-070.....	6-41
A10082A-115.....	6-28	A10313A-026.....	6-55	A10313A-072.....	6-61
A10082A-120.....	6-28	A10313A-026.....	6-57	A10313A-075.....	6-61
A10082A-128.....	6-28	A10313A-026.....	6-59	A10313A-076.....	6-63
A10093A-087.....	6-51	A10313A-027.....	6-39	A10313A-106.....	6-37
A10093A-090.....	6-51	A10313A-027.....	6-41	A10313A-106.....	6-39
A10093A-123.....	6-51	A10313A-027.....	6-53	A10313A-106.....	6-41
A10094A-090.....	6-51	A10313A-027.....	6-55	A10313A-115.....	6-37

Numerical Index

PART NO.	PAGE NO.	PART NO.	PAGE NO.	PART NO.	PAGE NO.
A10313A-120.....	6-28	A10437A-053.....	6-39	F13325F.....	6-80
A10313A-126.....	6-28	A10437A-065.....	6-31	F13326F.....	6-80
A10313A-132.....	6-28	A10437A-068.....	6-33	F13597F00.....	6-80
A10313A-140.....	6-28	A10437A-069.....	6-37	F13598F00.....	6-80
A10320A-120.....	6-77	A10437A-069.....	6-41	F14750F00.....	3-40
A10320A-120.....	6-79	A10437A-070.....	6-33	F19325F00.....	3-3
A10320A-132.....	11-3	A10437A-072.....	6-42	F20800F00.....	3-3
A10320A-132.....	11-3	A10437A-078.....	6-33	F20975F.....	3-3
A10320A-200.....	11-23	A10437A-078.....	6-37	F20975F.....	3-60
A10320A-200.....	11-25	A10437A-085.....	6-37	F24500F00.....	11-22
A10320A-360.....	11-28	A10437A-100.....	6-39	F25000F.....	3-3
A10324A-066.....	6-51	A10437A-102.....	6-39	F25675F.....	3-3
A10324A-067.....	6-51	A10437A-110.....	6-41	F25675F.....	3-60
A10324A-069.....	6-51	A10437A-110.....	6-42	F26890F.....	3-3
A10324A-070.....	6-51	A10437A-117.....	6-42	F26890F.....	3-60
A10324A-074.....	6-51	A10458A-050.....	6-49	F27450F00.....	11-3
A10324A-075.....	6-51	A10458A-054.....	6-49	F27455F.....	11-3
A10324A-076.....	6-51	A10458A-063.....	6-49	F27550F.....	3-3
A10324A-077.....	6-51	A10458A-063.....	6-49	F27550F.....	3-60
A10362A-037.....	6-51	A10458A-072.....	6-45	P0001-04-002.....	5-3
A10362A-040.....	6-51	F03531F02.....	10-19	P0001-04-002.....	6-45
A10362A-040.....	6-51	F03531F02.....	11-36	P0001-04-002.....	3-29
A10362A-040.....	6-51	F03531F02.....	11-37	P0001-04-003.....	5-4
A10362A-044.....	6-51	F03834F00.....	11-36	P0001-04-003.....	7-9
A10362A-047.....	6-51	F04410F00.....	3-3	P0001-04-003.....	11-4
A10366A-135.....	6-34	F04908F01.....	11-26	P0001-04-003.....	11-5
A10366A-138.....	6-34	F04908F01.....	11-33	P0001-04-003.....	11-6
A10366A-140.....	6-34	F05487F00.....	11-36	P0001-04-003.....	11-8
A10366A-142.....	6-34	F05866F00.....	3-65	P0001-04-003.....	11-9
A10366A-146.....	6-34	F07244F00.....	3-40	P0001-04-003.....	11-10
A10366A-152.....	6-34	F07296F00.....	11-36	P0001-04-003.....	11-11
A10372A-052.....	6-51	F09800F00.....	11-26	P0001-04-003.....	11-12
A10420A-360.....	11-27	F09800F00.....	11-29	P0001-04-003.....	11-13
A10436A-039.....	6-31	F09802F01.....	11-26	P0001-04-003.....	11-14
A10436A-042.....	6-33	F09802F01.....	11-27	P0001-04-003.....	11-15
A10436A-045.....	6-33	F09803F01.....	11-26	P0001-04-003.....	11-17
A10436A-050.....	6-33	F09803F01.....	11-28	P0001-04-003.....	11-18
A10436A-071.....	3-22	F09804F00.....	11-26	P0001-04-003.....	11-19
A10436A-075.....	6-39	F09804F00.....	11-30	P0001-04-004.....	3-16
A10436A-076.....	6-41	F09805F00.....	11-26	P0001-04-004.....	3-40
A10437A-030.....	6-31	F09805F00.....	11-34	P0001-04-004.....	3-64
A10437A-034.....	6-33	F09885F00.....	11-24	P0001-04-004.....	6-45
A10437A-040.....	6-33	F10360F00.....	3-3	P0001-04-005.....	11-21

Numerical Index

PART NO.	PAGE NO.	PART NO.	PAGE NO.	PART NO.	PAGE NO.
P0001-04-007.....	6-37	P0001-06-003.....	3-49	P0001-08-003.....	3-65
P0001-04-007.....	6-39	P0001-06-003.....	6-42	P0001-08-004.....	3-32
P0001-04-007.....	6-41	P0001-06-003.....	6-67	P0001-08-004.....	3-42
P0001-04-007.....	6-67	P0001-06-003.....	6-69	P0001-08-004.....	11-3
P0001-04-007.....	6-69	P0001-06-003.....	6-71	P0001-08-004.....	11-3
P0001-04-007.....	6-71	P0001-06-003.....	6-73	P0001-08-004.....	11-22
P0001-04-007.....	6-73	P0001-06-003.....	11-3	P0001-08-004.....	11-25
P0001-04-014.....	6-67	P0001-06-003.....	11-7	P0001-08-005.....	3-18
P0001-04-014.....	6-69	P0001-06-003.....	11-17	P0001-08-005.....	3-24
P0001-04-014.....	6-71	P0001-06-003.....	11-21	P0001-08-005.....	3-32
P0001-04-014.....	6-73	P0001-06-003.....	3-49	P0001-08-005.....	3-37
P0001-05-003.....	3-42	P0001-06-003.....	3-55	P0001-08-005.....	3-39
P0001-05-003.....	3-43	P0001-06-004.....	3-8	P0001-08-005.....	3-65
P0001-05-003.....	3-49	P0001-06-004.....	3-9	P0001-08-005.....	11-21
P0001-05-003.....	6-74	P0001-06-004.....	3-12	P0001-08-006.....	3-20
P0001-05-003.....	11-3	P0001-06-004.....	3-13	P0001-08-006.....	3-49
P0001-05-003.....	11-22	P0001-06-004.....	3-31	P0001-08-006.....	3-49
P0001-05-003.....	11-24	P0001-06-004.....	3-40	P0001-08-006.....	3-61
P0001-05-003.....	11-36	P0001-06-004.....	6-51	P0001-08-006.....	6-45
P0001-05-003.....	3-49	P0001-06-004.....	6-69	P0001-08-006.....	6-45
P0001-05-003.....	3-55	P0001-06-004.....	6-71	P0001-08-006.....	11-22
P0001-05-004.....	3-27	P0001-06-004.....	6-73	P0001-08-006.....	11-25
P0001-05-004.....	3-48	P0001-06-004.....	11-3	P0001-08-006.....	3-49
P0001-05-004.....	3-54	P0001-06-004.....	11-33	P0001-08-006.....	3-55
P0001-05-004.....	3-61	P0001-06-005.....	3-9	P0001-08-007.....	3-20
P0001-05-009.....	6-28	P0001-06-005.....	3-49	P0001-08-007.....	3-65
P0001-05-009.....	6-53	P0001-06-005.....	11-10	P0001-08-008.....	3-49
P0001-05-009.....	6-55	P0001-06-005.....	11-13	P0001-08-008.....	3-49
P0001-05-009.....	6-57	P0001-06-005.....	11-17	P0001-08-008.....	3-51
P0001-05-009.....	6-59	P0001-06-005.....	3-55	P0001-08-008.....	3-57
P0001-05-009.....	6-61	P0001-06-006.....	3-8	P0001-08-008.....	3-62
P0001-05-009.....	6-63	P0001-06-006.....	3-49	P0001-08-008.....	11-22
P0001-06-002.....	5-3	P0001-06-006.....	3-51	P0001-08-008.....	11-24
P0001-06-002.....	5-5	P0001-06-006.....	3-57	P0001-08-008.....	3-29
P0001-06-002.....	6-61	P0001-06-006.....	6-69	P0001-08-008.....	3-49
P0001-06-002.....	6-63	P0001-06-006.....	3-49	P0001-08-008.....	3-55
P0001-06-002.....	6-64	P0001-06-006.....	3-55	P0001-08-009.....	3-27
P0001-06-002.....	11-10	P0001-06-007.....	6-67	P0001-08-009.....	6-46
P0001-06-002.....	11-13	P0001-06-008.....	11-3	P0001-08-009.....	6-47
P0001-06-003.....	3-13	P0001-07-004.....	11-3	P0001-08-010.....	6-6
P0001-06-003.....	3-15	P0001-07-007.....	11-21	P0001-10-010.....	3-20
P0001-06-003.....	3-20	P0001-07-010.....	3-33	P0001-12-006.....	3-41
P0001-06-003.....	3-31	P0001-07-010.....	3-34	P0001-12-006.....	3-42

Numerical Index

PART NO.	PAGE NO.	PART NO.	PAGE NO.	PART NO.	PAGE NO.
P0001-12-006.....	3-43	P0003-08-000.....	3-65	P0011-004C.....	11-14
P0001-12-006.....	3-46	P0003-08-000.....	11-33	P0011-004C.....	11-15
P0001-12-006.....	3-49	P0003-08-000.....	3-29	P0011-006A.....	5-3
P0001-12-006.....	3-55	P0003-10-000.....	3-20	P0011-006A.....	5-5
P0001-12-008.....	3-44	P0003-12-000.....	3-3	P0011-006A.....	6-61
P0001-12-008.....	3-45	P0003-12-000.....	3-42	P0011-006A.....	6-63
P0001-12-009.....	3-3	P0003-12-000.....	3-44	P0011-006A.....	6-64
P0001-12-010.....	3-42	P0003-12-000.....	3-45	P0011-006A.....	11-10
P0001-12-010.....	3-44	P0003-12-000.....	3-49	P0011-006A.....	11-13
P0001-12-010.....	3-45	P0003-12-000.....	3-55	P0011-006A.....	11-17
P0001-12-010.....	3-46	P0004-05-000.....	11-3	P0013-08-000.....	3-10
P0001-12-010.....	10-20	P0004-05-000.....	11-23	P0013-08-000.....	3-33
P0001-12-010.....	10-21	P0004-05-000.....	11-24	P0013-08-000.....	3-34
P0001-12-011.....	3-44	P0004-06-000.....	6-67	P0017-08-323.....	5-3
P0001-12-011.....	3-45	P0004-06-000.....	6-69	P0017-10-324.....	5-5
P0001-12-012.....	3-46	P0004-06-000.....	6-70	P0020-14-203.....	3-20
P0001-12-014.....	3-42	P0004-06-000.....	6-72	P0020-14-204.....	11-3
P0001-12-014.....	3-49	P0004-12-000.....	3-21	P0020-14-207.....	11-3
P0001-12-014.....	3-55	P0004-14-000.....	3-18	P0023-374A-2.5.....	6-66
P0001-12-018.....	3-3	P0004-14-000.....	3-24	P0023-374A-2.5.....	6-68
P0002-08-004.....	3-20	P0004-14-000.....	3-31	P0023-374A-2.5.....	6-70
P0003-04-000.....	3-16	P0004-14-000.....	3-33	P0023-374A-2.5.....	6-72
P0003-04-000.....	3-16	P0004-14-000.....	3-34	P0023-374A-3.25.....	6-66
P0003-04-000.....	3-64	P0004-14-000.....	10-2	P0023-374A-3.25.....	6-69
P0003-04-000.....	6-67	P0004-14-000.....	10-6	P0023-374A-3.25.....	6-70
P0003-04-000.....	6-69	P0004-14-000.....	3-29	P0023-374A-3.25.....	6-72
P0003-04-000.....	6-71	P0007-06-000.....	11-4	P0023-500A-008.....	3-65
P0003-04-000.....	6-73	P0007-06-000.....	11-10	P0024-001.....	6-66
P0003-04-000.....	11-3	P0007-06-000.....	11-13	P0024-001.....	6-68
P0003-05-000.....	3-42	P0007-12-000.....	3-28	P0024-001.....	6-70
P0003-05-000.....	3-43	P0007-12-000.....	3-31	P0024-001.....	6-72
P0003-05-000.....	6-28	P0007-12-000.....	3-42	P0024-007.....	3-31
P0003-05-000.....	6-31	P0007-16-000.....	3-24	P0026-011.....	11-33
P0003-05-000.....	6-33	P0008-12-000.....	3-21	P0030-06-004.....	3-48
P0003-05-000.....	6-61	P0008-16-000.....	3-31	P0030-06-004.....	3-49
P0003-05-000.....	6-63	P0011-004B.....	11-5	P0030-06-004.....	3-61
P0003-05-000.....	6-74	P0011-004B.....	11-6	P0030-06-004.....	3-55
P0003-06-000.....	3-8	P0011-004B.....	11-8	P0031-03-375NC.....	5-9
P0003-06-000.....	11-3	P0011-004B.....	11-9	P0031-04-006.....	6-67
P0003-07-000.....	3-33	P0011-004B.....	11-11	P0031-04-006.....	6-69
P0003-07-000.....	3-34	P0011-004B.....	11-12	P0031-04-006.....	6-71
P0003-07-000.....	11-20	P0011-004B.....	11-18	P0031-04-006.....	6-73
P0003-08-000.....	3-27	P0011-004B.....	11-19	P0031-05-013.....	6-31

Numerical Index

PART NO.	PAGE NO.	PART NO.	PAGE NO.	PART NO.	PAGE NO.
P0031-05-013.....	6-33	P0040-006.....	6-63	P0045-004.....	5-3
P0031-06-003.....	11-20	P0040-006.....	11-3	P0045-004.....	5-4
P0031-07-007.....	3-24	P0040-006.....	11-7	P0045-004.....	6-37
P0031-08-014.....	7-2	P0040-006.....	11-10	P0045-004.....	6-39
P0031-08-016.....	11-33	P0040-006.....	11-13	P0045-004.....	6-41
P0031-08-022.....	3-61	P0040-006.....	11-16	P0045-004.....	6-45
P0031-08-024.....	3-49	P0040-006.....	11-17	P0045-004.....	6-67
P0031-08-024.....	3-55	P0040-006.....	11-21	P0045-004.....	6-69
P0031-10-020.....	3-61	P0040-006.....	3-55	P0045-004.....	6-71
P0031-12-010.....	3-62	P0040-007.....	11-20	P0045-004.....	6-73
P0031-12-012.....	3-62	P0040-008.....	3-27	P0045-004.....	7-9
P0031-M3-010.....	5-9	P0040-008.....	3-33	P0045-004.....	11-4
P0033-04-006.....	10-20	P0040-008.....	3-34	P0045-004.....	11-10
P0033-04-006.....	10-21	P0040-008.....	11-3	P0045-004.....	11-11
P0033-05-004.....	11-33	P0040-008.....	11-21	P0045-004.....	11-12
P0033-06-012.....	3-37	P0040-008.....	11-33	P0045-004.....	11-13
P0033-06-012.....	3-39	P0040-010.....	3-20	P0045-004.....	11-14
P0033-06-012.....	11-21	P0040-012.....	3-3	P0045-004.....	11-15
P0033-06-014.....	3-37	P0040-012.....	3-42	P0045-004.....	11-17
P0033-06-016.....	10-8	P0040-012.....	3-43	P0045-004.....	11-21
P0033-06-016.....	10-10	P0040-012.....	3-44	P0045-004.....	3-16
P0033-10-024.....	3-3	P0040-012.....	3-46	P0045-005.....	3-27
P0034-06-012.....	11-4	P0040-012.....	3-49	P0045-005.....	3-48
P0034-12-014.....	3-42	P0040-012.....	3-55	P0045-005.....	3-54
P0040-004.....	3-16	P0040-014.....	3-18	P0045-005.....	6-28
P0040-004.....	3-64	P0040-014.....	3-24	P0045-005.....	6-31
P0040-004.....	6-37	P0040-014.....	3-33	P0045-005.....	6-33
P0040-004.....	6-39	P0040-014.....	3-34	P0045-005.....	6-33
P0040-004.....	6-41	P0040-014.....	10-2	P0045-005.....	6-53
P0040-004.....	6-67	P0040-014.....	10-6	P0045-005.....	6-55
P0040-004.....	6-69	P0040-014.....	3-29	P0045-005.....	6-57
P0040-004.....	6-71	P0040-016.....	3-31	P0045-005.....	6-59
P0040-004.....	6-73	P0043-008.....	11-33	P0045-005.....	6-61
P0040-004.....	7-9	P0044-021.....	3-28	P0045-005.....	6-61
P0040-004.....	11-3	P0045-004.....	3-16	P0045-005.....	6-63
P0040-004.....	11-5	P0045-004.....	3-16	P0045-005.....	6-74
P0040-004.....	11-6	P0045-004.....	3-16	P0045-005.....	11-3
P0040-004.....	11-8	P0045-004.....	3-40	P0045-005.....	11-23
P0040-004.....	11-9	P0045-004.....	3-61	P0045-005.....	11-24
P0040-004.....	11-18	P0045-004.....	3-61	P0045-006.....	3-8
P0040-004.....	11-19	P0045-004.....	3-61	P0045-006.....	3-9
P0040-006.....	3-49	P0045-004.....	3-61	P0045-006.....	3-12
P0040-006.....	6-61	P0045-004.....	3-64	P0045-006.....	3-13

Numerical Index

PART NO.	PAGE NO.	PART NO.	PAGE NO.	PART NO.	PAGE NO.
P0045-006	3-15	P0045-008	3-51	P0048-033	10-14
P0045-006	3-20	P0045-008	3-57	P0048-033	10-16
P0045-006	3-40	P0045-008	3-61	P0048-033	10-17
P0045-006	3-40	P0045-008	3-62	P0049-042	10-2
P0045-006	3-40	P0045-008	3-65	P0049-042	10-4
P0045-006	3-40	P0045-008	6-6	P0049-042	10-5
P0045-006	3-49	P0045-008	6-45	P0049-042	10-6
P0045-006	3-49	P0045-008	11-21	P0050-001	3-42
P0045-006	3-51	P0045-008	11-22	P0050-011	3-46
P0045-006	3-51	P0045-008	11-24	P0050-011	3-51
P0045-006	3-51	P0045-008	3-29	P0050-011	3-56
P0045-006	3-57	P0045-008	3-49	P0050-011	3-62
P0045-006	5-3	P0045-008	3-55	P0050-026	3-51
P0045-006	5-5	P0045-012	3-3	P0050-026	3-56
P0045-006	6-42	P0045-012	3-42	P0050-026	3-62
P0045-006	6-51	P0045-012	3-43	P0050-030	3-51
P0045-006	6-61	P0045-012	3-44	P0050-030	3-56
P0045-006	6-63	P0045-012	3-46	P0050-030	3-62
P0045-006	6-64	P0045-012	3-49	P0051-001	3-42
P0045-006	6-67	P0045-012	10-20	P0051-004	3-46
P0045-006	6-69	P0045-012	10-21	P0051-004	3-51
P0045-006	6-71	P0045-012	3-49	P0051-004	3-56
P0045-006	6-73	P0045-012	3-55	P0051-004	3-62
P0045-006	11-7	P0045-014	3-31	P0051-011	3-51
P0045-006	11-13	P0045-014	3-29	P0051-011	3-56
P0045-006	11-16	P0046-008	3-49	P0051-011	3-62
P0045-006	11-17	P0046-008	3-61	P0051-013	3-51
P0045-006	11-21	P0046-008	7-2	P0053-026	5-2
P0045-006	11-33	P0046-008	3-49	P0053-026	5-11
P0045-006	3-49	P0046-008	3-55	P0053-026A	5-2
P0045-006	3-55	P0046-010	3-61	P0053-026A	5-11
P0045-007	3-33	P0046-012	3-62	P0054-021	5-9
P0045-007	3-34	P0047-007	11-23	P0054-068	5-9
P0045-007	11-3	P0047-007	11-24	P0054-069	5-3
P0045-007	11-7	P0048-012	6-67	P0054-087	5-2
P0045-007	11-20	P0048-012	6-69	P0054-090	5-2
P0045-008	3-18	P0048-012	6-71	P0054-167A	5-2
P0045-008	3-20	P0048-012	6-73	P0054-167A	5-11
P0045-008	3-24	P0048-012	7-2	P0054-286	5-4
P0045-008	3-32	P0048-024	3-18	P0054-286	5-5
P0045-008	3-37	P0048-024	3-24	P0054-287	5-2
P0045-008	3-39	P0048-033	10-12	P0055-126	6-77
P0045-008	3-49	P0048-033	10-13	P0055-126	6-79

Numerical Index

PART NO.	PAGE NO.	PART NO.	PAGE NO.	PART NO.	PAGE NO.
P0059-009	6-67	P0065-013	3-58	P0076-050	10-14
P0059-009	6-69	P0065-013	3-63	P0076-050	10-16
P0059-009	6-71	P0065-016	11-21	P0076-050	10-17
P0059-009	6-73	P0065-017	11-3	P0077-029	3-52
P0063-001	3-4	P0065-017	11-23	P0077-029	3-58
P0063-001	3-14	P0065-017	11-24	P0077-029	3-63
P0063-001	3-18	P0065-020	3-21	P0078-002	11-20
P0063-001	3-21	P0065-021	3-21	P0078-005	11-21
P0063-001	3-24	P0065-082	3-29	P0078-008	11-20
P0063-001	3-28	P0065-086	10-12	P0079-001	3-30
P0063-001	3-31	P0065-086	10-13	P0079-001	3-31
P0063-001	3-48	P0065-086	10-14	P0079-003	11-4
P0063-001	3-61	P0065-086	10-16	P0079-003	11-22
P0063-001	6-67	P0065-086	10-17	P0079-003	11-24
P0063-001	6-69	P0065-099	3-14	P0080-001	10-2
P0063-001	6-71	P0065-100	3-14	P0080-001	10-4
P0063-001	6-73	P0065-106	3-52	P0080-001	10-5
P0063-001	10-8	P0065-106	3-58	P0080-001	10-6
P0063-001	10-9	P0065-106	3-63	P0080-019	3-52
P0063-001	10-10	P0065-107	11-22	P0080-019	3-58
P0063-001	10-11	P0065-107	11-24	P0080-019	3-63
P0063-001	10-13	P0065-108	11-22	P0084-123	6-7
P0063-001	10-14	P0065-108	11-24	P0084-123	6-37
P0063-001	11-7	P0065-109	11-22	P0084-123	6-39
P0063-001	11-16	P0065-109	11-24	P0084-123	6-41
P0063-001	11-17	P0065-134	3-18	P0084-123	6-45
P0063-001	11-23	P0065-134	3-24	P0084-123	6-51
P0063-001	11-24	P0066-003	3-28	P0084-139	10-19
P0063-003	3-18	P0066-036	3-20	P0084-139	11-37
P0063-003	3-61	P0067-010	11-3	P0084-156	6-6
P0063-012	3-21	P0067-042	11-3	P0084-156	6-46
P0063-016	6-9	P0068-024	6-61	P0084-156	6-47
P0063-016	6-77	P0068-024	6-63	P0084-224	10-2
P0063-016	6-79	P0070-019	7-2	P0084-224	10-4
P0063-016	6-11	P0070-024	3-28	P0084-224	10-5
P0065-004	3-14	P0070-031	11-33	P0084-224	10-6
P0065-004	3-19	P0073-001	3-30	P0084-234	10-12
P0065-004	3-25	P0073-001	3-31	P0084-234	10-13
P0065-004	11-22	P0075-001	11-33	P0084-234	10-14
P0065-004	11-24	P0075-002	3-30	P0084-234	10-16
P0065-006	11-7	P0075-002-060	3-31	P0084-234	10-17
P0065-007	11-16	P0076-050	10-12	P0084-426	10-8
P0065-013	3-52	P0076-050	10-13	P0084-426	10-9

Numerical Index

PART NO.	PAGE NO.	PART NO.	PAGE NO.	PART NO.	PAGE NO.
P0084-426	10-10	P0085-218	3-18	P0086-005	10-11
P0084-426	10-11	P0085-218	3-24	P0086-005	10-12
P0085-028	11-23	P0085-224	10-2	P0086-005	10-13
P0085-028	11-24	P0085-224	10-4	P0086-005	10-14
P0085-113	11-27	P0085-224	10-5	P0086-005	10-16
P0085-113	11-29	P0085-224	10-6	P0086-005	10-17
P0085-113	11-30	P0085-228	7-2	P0086-005	10-20
P0085-113	11-34	P0085-234	7-2	P0086-005	10-21
P0085-113	11-35	P0085-234	10-12	P0086-009	10-20
P0085-123	6-7	P0085-234	10-13	P0086-009	10-21
P0085-123	6-37	P0085-234	10-14	P0087-001	10-19
P0085-123	6-39	P0085-234	10-16	P0087-001	11-37
P0085-123	6-41	P0085-234	10-17	P0087-004	7-2
P0085-123	6-45	P0085-326	10-10	P0087-004	10-8
P0085-123	6-51	P0085-328	3-36	P0087-004	10-9
P0085-132	3-52	P0085-328	3-39	P0087-004	10-10
P0085-132	3-58	P0085-328	10-8	P0087-004	10-11
P0085-132	3-63	P0085-426	10-8	P0087-004	10-12
P0085-134	10-8	P0085-426	10-9	P0087-004	10-13
P0085-134	10-9	P0085-426	10-10	P0087-004	10-14
P0085-134	10-10	P0085-426	10-11	P0087-004	10-16
P0085-134	10-11	P0085-920	6-31	P0087-004	10-17
P0085-134	10-12	P0085-920	6-33	P0087-004	10-20
P0085-134	10-13	P0085C-2	10-2	P0087-004	10-21
P0085-134	10-14	P0085C-2	10-6	P0088-002	10-19
P0085-134	10-16	P0085-C3	10-12	P0088-002	11-37
P0085-134	10-17	P0085-C3	10-13	P0088-012	3-36
P0085-139	3-52	P0085-C3	10-14	P0088-012	3-38
P0085-139	3-58	P0085-C3	10-16	P0088-019	3-36
P0085-139	3-63	P0085-C3	10-17	P0088-022	3-36
P0085-139	10-19	P0085-S1	10-20	P0088-087	3-38
P0085-139	11-37	P0085-S1	10-21	P0090-004	3-65
P0085-149	10-12	P0085-S14	3-48	P0090-005	3-36
P0085-149	10-13	P0085-S14	3-50	P0090-005	3-39
P0085-149	10-14	P0086-001	10-2	P0090-005	10-8
P0085-149	10-16	P0086-001	10-4	P0090-005	10-9
P0085-149	10-17	P0086-001	10-5	P0090-005	10-10
P0085-156	6-6	P0086-001	10-6	P0090-005	10-11
P0085-156	6-46	P0086-003	10-19	P0091-003	6-49
P0085-156	6-47	P0086-003	11-37	P0094-003-030	11-23
P0085-214	3-18	P0086-005	10-8	P0094-003-030	11-25
P0085-214	3-24	P0086-005	10-9	P0094-003-060	11-3
P0085-218	3-14	P0086-005	10-10	P0094-004	6-49

Numerical Index

PART NO.	PAGE NO.	PART NO.	PAGE NO.	PART NO.	PAGE NO.
P0098-010	11-3	P0300-027	6-59	P0300-138	6-79
P0098-010	11-23	P0300-041	3-63	P0300-144	3-52
P0098-010	11-25	P0300-041	6-8	P0300-144	3-58
P0100-001B	11-27	P0300-041	6-77	P0300-144	6-5
P0100-004A	6-5	P0300-041	6-79	P0300-146	6-37
P0100-004A	6-48	P0300-041	6-10	P0300-146	6-39
P0100-004A	11-3	P0300-042	6-9	P0300-146	6-41
P0100-004A	11-23	P0300-042	6-77	P0300-146	6-42
P0100-004A	11-25	P0300-042	6-11	P0300-146	6-47
P0100-004B	6-5	P0300-046	6-45	P0300-146	6-51
P0100-004B	6-48	P0300-059	6-8	P0300-149	6-79
P0100-004B	11-3	P0300-059	6-10	P0300-154	6-46
P0100-004B	11-23	P0300-067	6-8	P0300-155	6-46
P0100-004B	11-25	P0300-067	6-10	P0300-158	6-46
P0100-023	6-9	P0300-078	6-9	P0300-161	6-31
P0100-023	6-11	P0300-078	6-11	P0300-161	6-33
P0100-024	6-9	P0300-107	5-5	P0300-167	11-22
P0100-024	6-11	P0300-120	6-77	P0300-167	11-25
P0106-002	6-82	P0300-120	6-79	P0300-173	11-22
P0106-002	3-28	P0300-120	11-34	P0300-173	11-25
P0110-105-014	6-46	P0300-121	6-8	P0300-176	3-63
P0110-106	6-8	P0300-121	6-10	P0300-185	6-51
P0110-106	6-77	P0300-123	6-8	P0300-224	3-63
P0110-106	6-79	P0300-123	6-77	P0300-245	6-37
P0110-106	6-10	P0300-123	6-79	P0300-245	6-39
P0113-001	3-27	P0300-123	6-10	P0300-245	6-41
P0113-001A	3-27	P0300-125	6-8	P0300-269	6-8
P0251-197	5-4	P0300-125	11-30	P0300-269	6-11
P0251-197A	5-4	P0300-125	11-36	P0300-269	6-79
P0300-009	5-5	P0300-125	6-10	P0300-273	6-51
P0300-010	6-8	P0300-126	11-30	P0300-305	6-34
P0300-010	6-77	P0300-126	11-34	P0300-318	6-51
P0300-010	6-79	P0300-126	11-36	P0300-319	6-37
P0300-010	6-10	P0300-127	6-77	P0300-319	6-39
P0300-012	5-4	P0300-127	6-79	P0300-319	6-41
P0300-012	5-5	P0300-128	6-77	P0300-328	6-37
P0300-014	6-77	P0300-128	6-79	P0300-328	6-39
P0300-014	6-79	P0300-129	6-77	P0300-328	6-41
P0300-026	3-52	P0300-129	6-79	P0300-329	6-42
P0300-026	3-58	P0300-131	6-77	P0300-332	6-51
P0300-027	6-53	P0300-131	6-79	P0300-355	6-28
P0300-027	6-55	P0300-132	6-8	P0300-355	6-31
P0300-027	6-57	P0300-132	6-10	P0300-355	6-33

Numerical Index

PART NO.	PAGE NO.	PART NO.	PAGE NO.	PART NO.	PAGE NO.
P0300-355	6-53	P0300-410	6-39	P0300-609	6-51
P0300-355	6-55	P0300-410	6-41	P0300-610	6-31
P0300-355	6-57	P0300-419	6-37	P0300-610	6-33
P0300-355	6-59	P0300-419	6-39	P0300-612	6-28
P0300-355	6-61	P0300-419	6-41	P0300-612	6-53
P0300-355	6-63	P0300-424	6-37	P0300-612	6-55
P0300-355	6-64	P0300-424	6-39	P0300-613	6-28
P0300-356	6-28	P0300-424	6-41	P0300-613	6-37
P0300-356	6-37	P0300-428	6-51	P0300-613	6-39
P0300-356	6-39	P0300-450	6-31	P0300-613	6-41
P0300-356	6-41	P0300-450	6-33	P0300-613	6-61
P0300-356	6-45	P0300-450	6-37	P0300-613	6-63
P0300-356	6-53	P0300-450	6-39	P0300-614	6-37
P0300-356	6-55	P0300-450	6-41	P0300-615	6-37
P0300-356	6-57	P0300-536	6-42	P0300-615	6-39
P0300-356	6-59	P0300-548	6-31	P0300-615	6-41
P0300-356	6-61	P0300-548	6-33	P0300-616	6-37
P0300-356	6-63	P0300-548	6-49	P0300-616	6-39
P0300-356	6-64	P0300-548	6-51	P0300-616	6-41
P0300-359	6-33	P0300-552	6-49	P0300-618	6-37
P0300-359	6-48	P0300-561	3-23	P0300-618	6-39
P0300-366	6-37	P0300-561	6-37	P0300-618	6-41
P0300-366	6-39	P0300-561	6-39	P0300-620	6-37
P0300-366	6-41	P0300-561	6-41	P0300-620	6-39
P0300-366	6-51	P0300-579	6-33	P0300-620	6-41
P0300-369	6-42	P0300-587	6-42	P0300-620	6-42
P0300-371	6-37	P0300-588	6-39	P0300-620	6-45
P0300-371	6-39	P0300-588	6-41	P0300-620	6-49
P0300-371	6-41	P0300-602	6-61	P0300-620	6-51
P0300-372	6-48	P0300-602	6-63	P0300-623	6-46
P0300-373	6-48	P0300-603	6-28	P0300-624	6-31
P0300-375	6-42	P0300-603	6-31	P0300-624	6-33
P0300-378	6-37	P0300-603	6-33	P0300-624	6-37
P0300-378	6-39	P0300-603	6-39	P0300-624	6-39
P0300-378	6-41	P0300-603	6-61	P0300-624	6-41
P0300-380	6-37	P0300-603	6-63	P0300-626	6-51
P0300-380	6-39	P0300-603	6-64	P0300-628	6-51
P0300-380	6-41	P0300-604	6-28	P0300-629	6-51
P0300-386	6-37	P0300-605	6-64	P0300-630	6-51
P0300-386	6-39	P0300-608	6-31	P0300-631	6-51
P0300-386	6-41	P0300-608	6-51	P0300-634	3-22
P0300-390	6-64	P0300-609	6-31	P0300-634	3-23
P0300-400	6-34	P0300-609	6-33	P0300-634	6-37

Numerical Index

PART NO.	PAGE NO.	PART NO.	PAGE NO.	PART NO.	PAGE NO.
P0300-634	6-39	P0302-112	6-5	P0302-532	6-57
P0300-634	6-41	P0302-112	7-10	P0302-532	6-59
P0300-671	3-22	P0302-112A	7-10	P0302-533	4-3
P0300-671	3-23	P0302-112B	7-10	P0302-533	6-31
P0300-671	6-37	P0302-112B	7-11	P0302-533	6-33
P0300-671	6-39	P0302-112C	7-10	P0302-533	7-11
P0300-671	6-41	P0302-112C	7-11	P0302-535	6-61
P0300-674	6-31	P0302-118	4-2	P0302-535	6-63
P0300-674	6-33	P0302-118	4-3	P0302-536	6-37
P0300-675	6-51	P0302-118	6-5	P0302-536	6-39
P0300-678	6-33	P0302-118	6-61	P0302-536	6-41
P0300-680	6-42	P0302-118	6-63	P0302-537	6-37
P0300-684	6-31	P0302-118	7-3	P0302-537	6-39
P0300-684	6-33	P0302-118A	7-3	P0302-537	6-41
P0300-685	6-31	P0302-118B	7-3	P0302-538	7-7
P0300-685	6-33	P0302-118C	7-3	P0302-539	7-9
P0300-686	6-31	P0302-118C	7-4	P0303-163	6-5
P0300-686	6-33	P0302-118E	7-3	P0303-163	6-42
P0300-769	6-37	P0302-118E	7-4	P0303-163	9-2
P0300-769	6-39	P0302-118F	7-3	P0303-163B	9-2
P0300-769	6-41	P0302-144	6-5	P0303-163D	9-2
P0300-770	6-37	P0302-144	6-42	P0303-602	6-28
P0300-770	6-39	P0302-154	6-5	P0303-602	6-28
P0300-770	6-41	P0302-163	6-5	P0304-107	8-2
P0301-100	6-5	P0302-167	6-5	P0304-107A	8-2
P0301-108	6-5	P0302-183	4-2	P0304-121	6-5
P0301-108	6-6	P0302-183	6-5	P0304-121	8-6
P0301-108	6-46	P0302-183	7-8	P0304-121A	8-6
P0301-149	6-61	P0302-197	7-8	P0304-121B	8-6
P0301-149	6-63	P0302-198	7-8	P0304-123	3-20
P0301-150	6-45	P0302-231	6-9	P0304-123	6-5
P0302-101	6-5	P0302-231	6-11	P0304-123	8-2
P0302-103	6-5	P0302-260	4-2	P0304-127	8-2
P0302-103	6-37	P0302-260	4-3	P0304-131	8-3
P0302-103	6-39	P0302-260	6-5	P0304-131	3-29
P0302-103	6-41	P0302-260	6-64	P0304-132	3-29
P0302-104	6-5	P0302-260	7-4	P0304-145	6-5
P0302-109	4-2	P0302-388	6-5	P0304-145	8-5
P0302-109	6-5	P0302-500	6-31	P0304-145	11-22
P0302-109	7-6	P0302-500	6-33	P0304-145	11-25
P0302-109A	7-6	P0302-532	6-28	P0304-147	8-5
P0302-109B	7-6	P0302-532	6-53	P0304-148	8-5
P0302-112	4-2	P0302-532	6-55	P0304-157	6-5

Numerical Index

PART NO.	PAGE NO.	PART NO.	PAGE NO.	PART NO.	PAGE NO.
P0304-157	8-4	P0400-001	6-11		
P0304-157	11-21	P0400-003	3-62		
P0305-134A	11-22	P0400-005	6-51		
P0305-134A	11-25	P0402-006	6-45		
P0305-134B	11-22	P0402-006	6-51		
P0305-134B	11-24	P0416-003	3-61		
P0305-134C	11-22	P0417-003	6-77		
P0305-134C	11-24	P0417-003	6-79		
P0309-121	6-5	P0417-003	11-28		
P0309-121	6-6	P0421-012	6-7		
P0309-121	6-46	P0421-012	6-51		
P0309-121	6-47	P0506-012	6-8		
P0310-251	5-3	P0506-012	6-10		
P0310-266	5-6	P0506-018	6-8		
P0310-266A	5-6	P0506-018	6-10		
P0310-266B	5-6	P0506-020	6-9		
P0310-266C	5-6	P0506-020	6-10		
P0310-266D	5-6	P0506-036	6-8		
P0310-283A	5-5	P0506-036	6-10		
P0310-283B	5-4	P0506-038	6-8		
P0310-283B	5-5	P0506-038	6-10		
P0310-284D	5-5	P0506-048	6-9		
P0310-284E	5-5	P0506-048	6-10		
P0310-285A	5-9	P0506-090	6-8		
P0310-286A	5-3	P0506-090	6-10		
P0310-286B	5-3	P0508-036	6-9		
P0310-287D	5-3	P0508-036	6-11		
P0310-390A	5-9	P0508-084	6-8		
P0310-390B	5-9	P0508-084	6-10		
P0310-579	5-9				
P0310-582	5-9				
P0310-701	5-9				
P0310-712	5-9				
P0310-713	5-9				
P0311-018	5-9				
P0311-032	5-9				
P0311-041	5-9				
P0311-121	5-3				
P0311-121	5-9				
P0313-044	5-9				
P0313-049	5-9				
P033-10-024	3-3				
P0400-001	6-9				

NOTES